



US 20110255303A1

(19) **United States**  
(12) **Patent Application Publication**  
**Nichol et al.**

(10) **Pub. No.: US 2011/0255303 A1**  
(43) **Pub. Date: Oct. 20, 2011**

(54) **ILLUMINATION DEVICE COMPRISING A FILM-BASED LIGHTGUIDE**

(76) Inventors: **Anthony John Nichol**, Chicago, IL (US); **Zane Arthur Coleman**, Chicago, IL (US)

(21) Appl. No.: **13/088,231**

(22) Filed: **Apr. 15, 2011**

**Related U.S. Application Data**

(60) Provisional application No. 61/325,266, filed on Apr. 16, 2010, provisional application No. 61/325,252, filed on Apr. 16, 2010, provisional application No. 61/325,269, filed on Apr. 16, 2010, provisional application No. 61/325,271, filed on Apr. 16, 2010, provisional application No. 61/325,272, filed on Apr. 16, 2010, provisional application No. 61/325,275, filed on Apr. 16, 2010, provisional application No. 61/325,277, filed on Apr. 16, 2010, provisional application No. 61/325,280, filed on Apr. 16, 2010, provisional application No. 61/325,282, filed on Apr. 16, 2010, provisional application No. 61/325,262, filed on Apr. 16, 2010, provisional application No. 61/325,270, filed on Apr. 16, 2010, provisional application No. 61/325,265, filed on Apr. 16, 2010, provisional application No. 61/347,567, filed on May 24, 2010, provisional application No. 61/363,342, filed on Jul. 12, 2010, provisional application No. 61/368,560, filed on Jul. 28, 2010, provisional application No. 61/377,888, filed on Aug. 27, 2010, provisional application No. 61/381,

077, filed on Sep. 9, 2010, provisional application No. 61/415,250, filed on Nov. 18, 2010, provisional application No. 61/425,328, filed on Dec. 21, 2010, provisional application No. 61/441,871, filed on Feb. 11, 2011, provisional application No. 61/450,711, filed on Mar. 9, 2011.

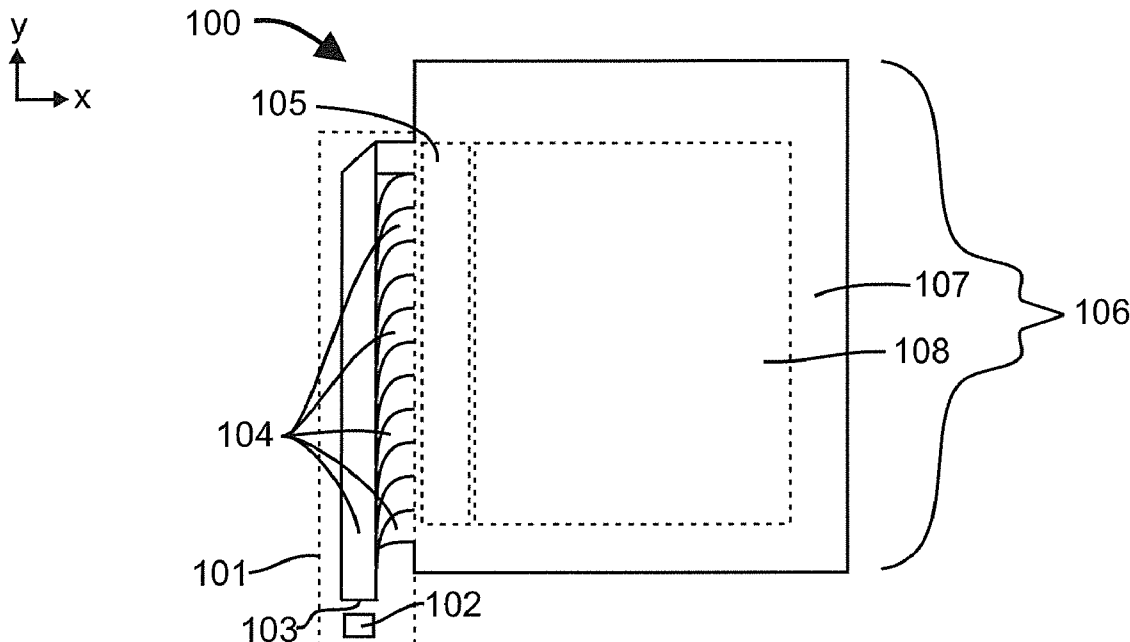
**Publication Classification**

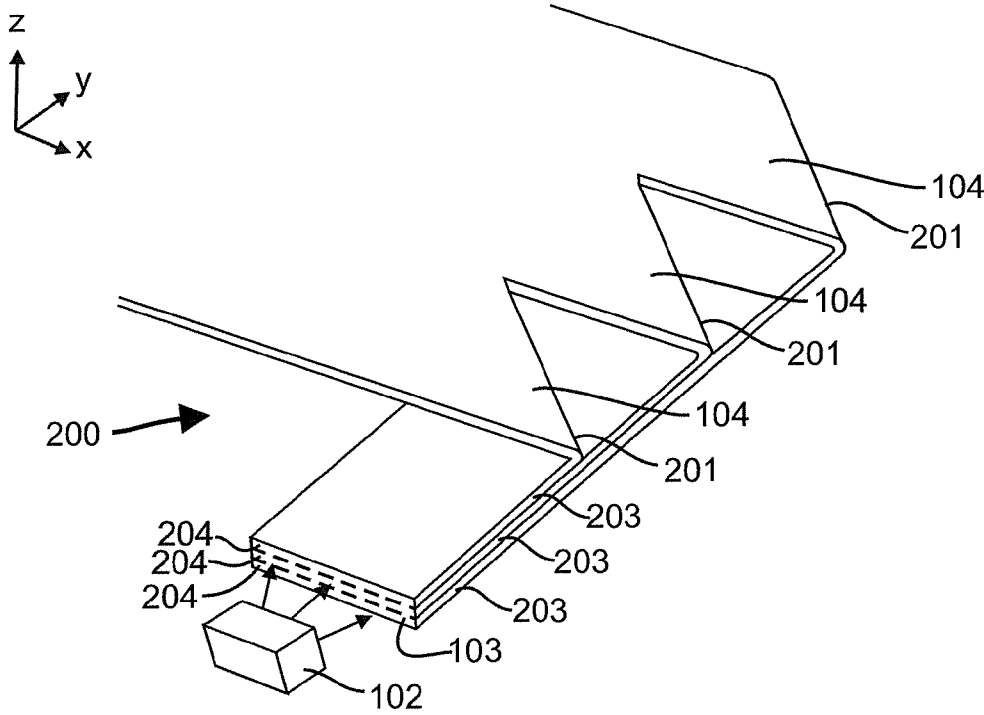
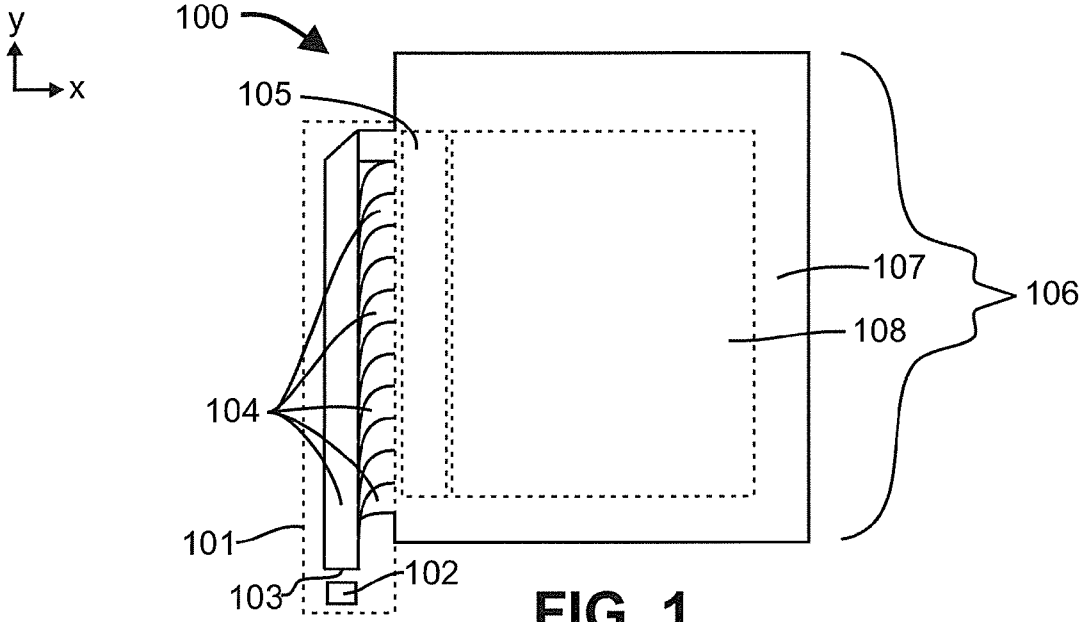
(51) **Int. Cl.**  
*F21V 7/22* (2006.01)  
*B23P 11/00* (2006.01)  
(52) **U.S. Cl.** ..... **362/606; 29/428**

(57) **ABSTRACT**

A light emitting device includes a film lightguide. The lightguide includes a lightguide region and an array of coupling lightguides continuous with the lightguide region, each terminating in a bounding edge and folded such that the bounding edges define a light input surface. A light source emits light into the light input surface. Light propagates within each coupling lightguide to the lightguide region, with light from each coupling lightguide combining with light from one or more other coupling lightguides and totally internally reflecting within the lightguide region. One or more light extraction features frustrate the totally internally reflected light such that light exits the lightguide in a light emitting region.

Surface relief features on a surface of a low contact area cover are adjacent to a region of the lightguide with one or more of the surface relief features contacting the lightguide. A method of producing a device is disclosed.





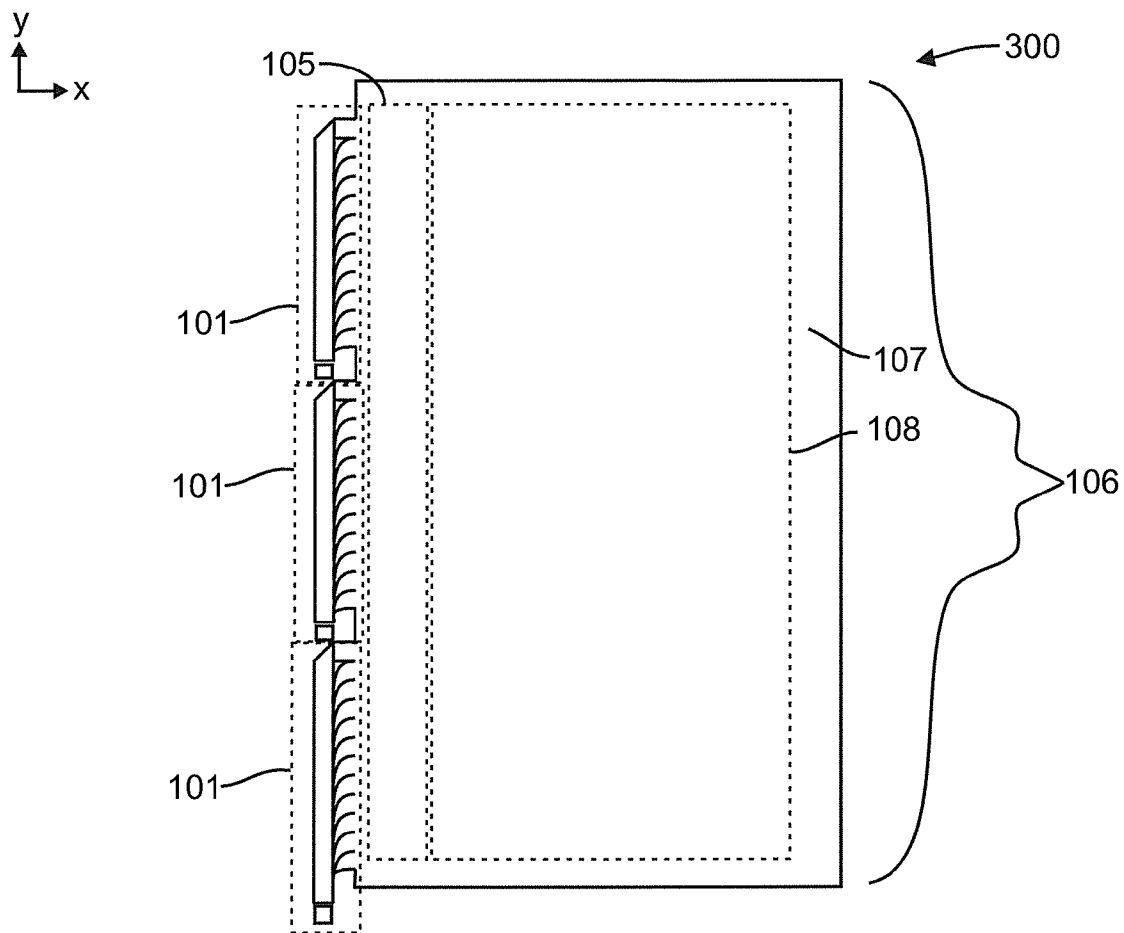


FIG. 3

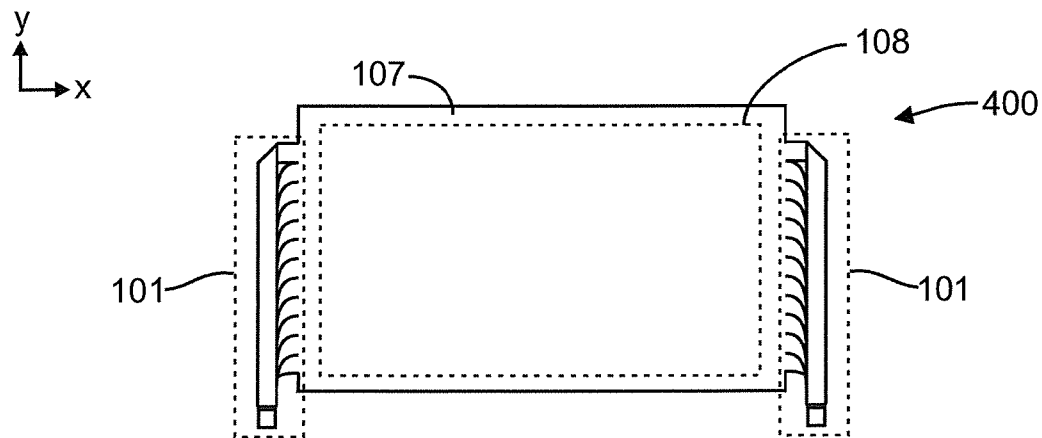


FIG. 4

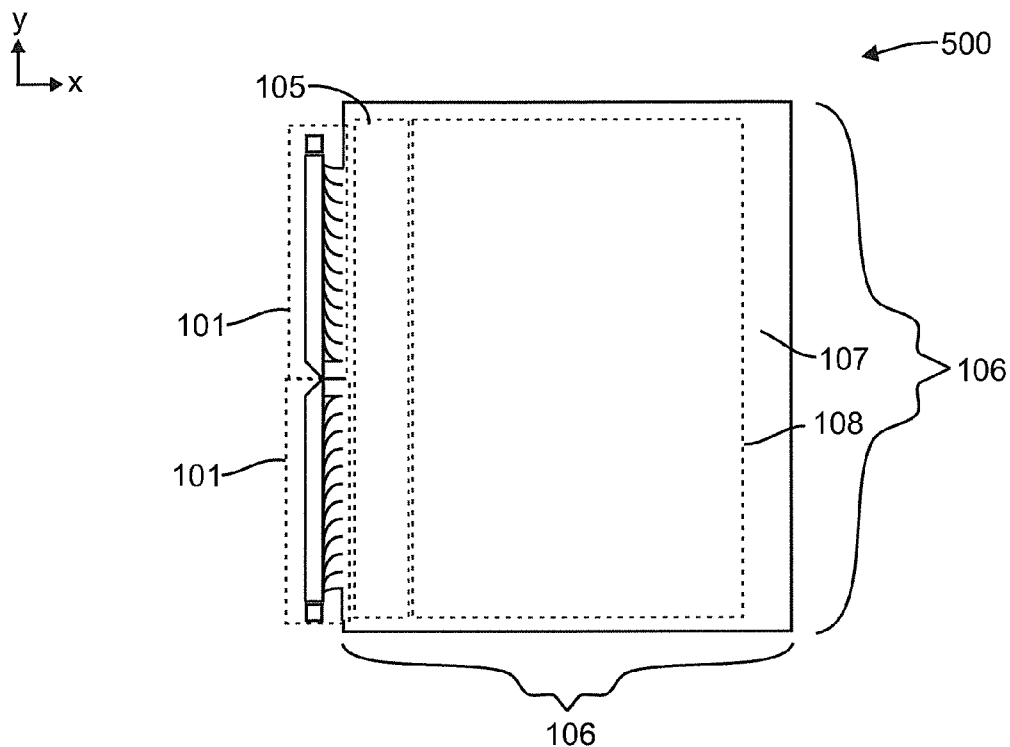


FIG. 5

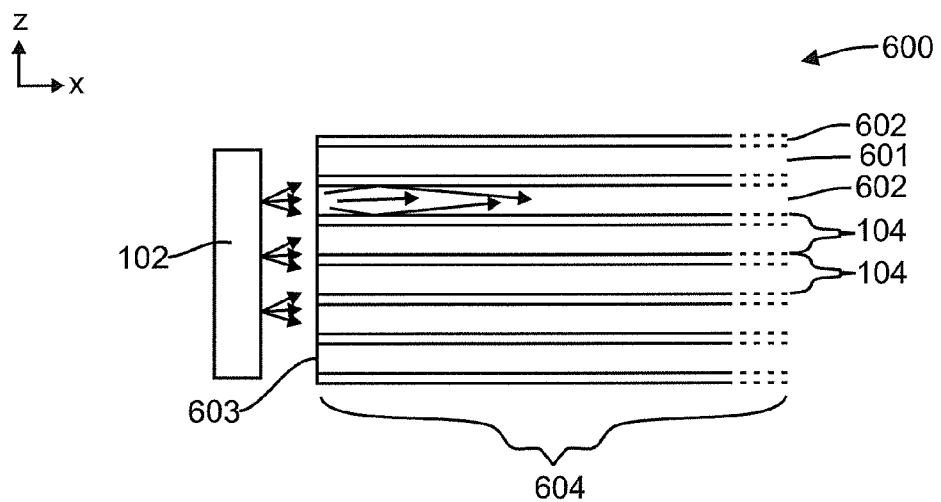


FIG. 6

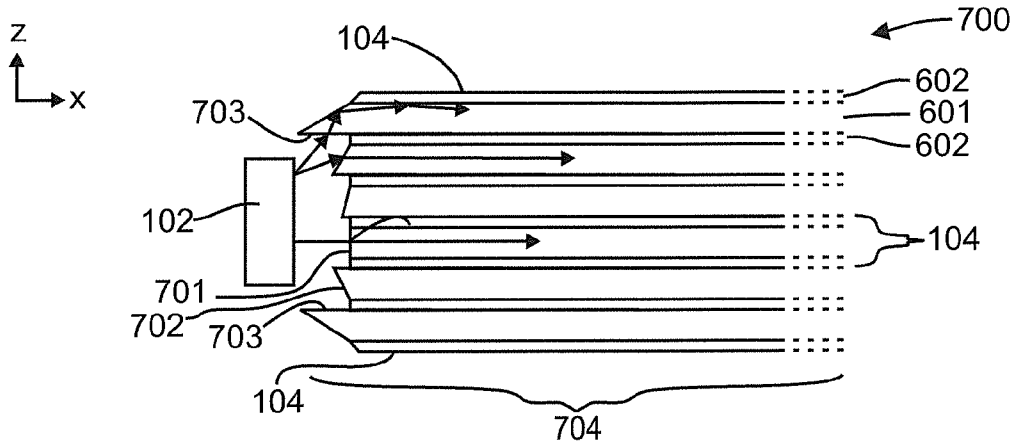


FIG. 7

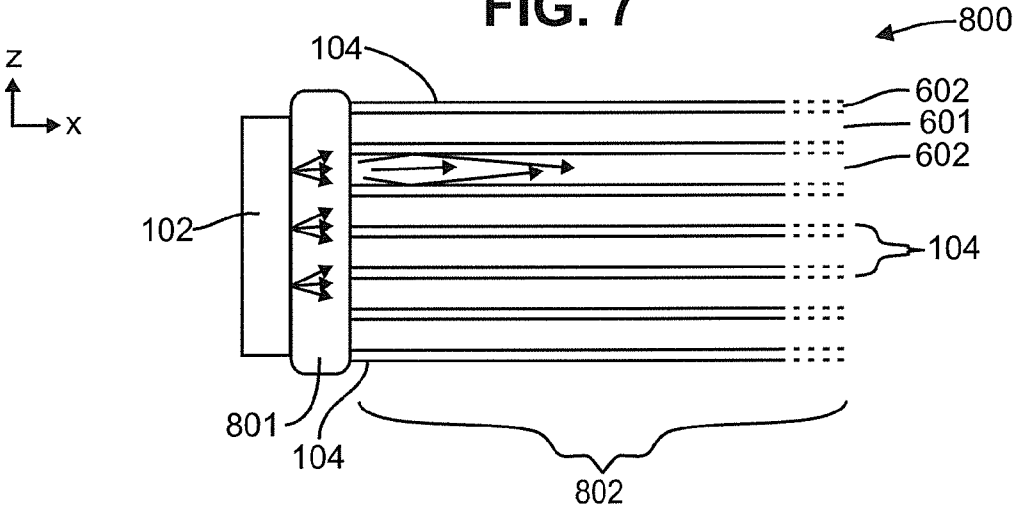


FIG. 8

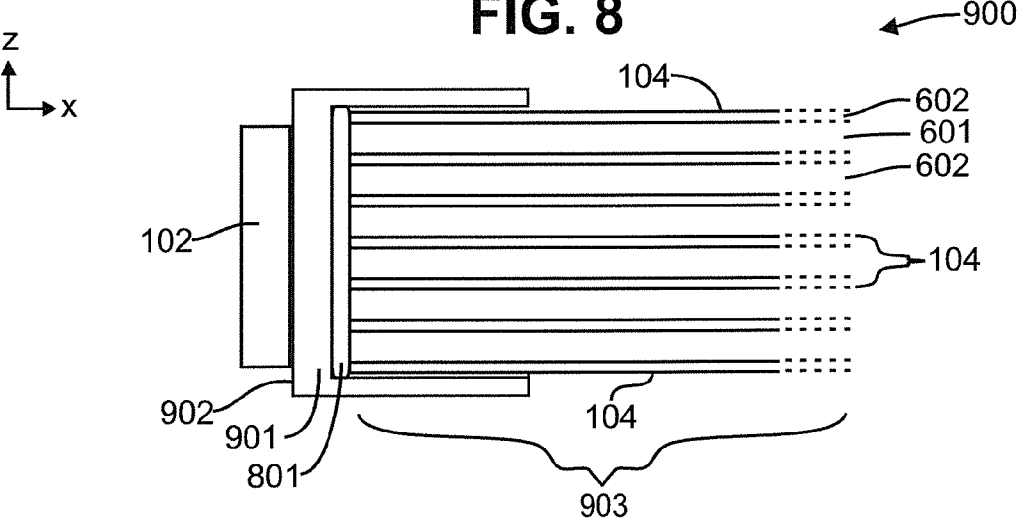


FIG. 9

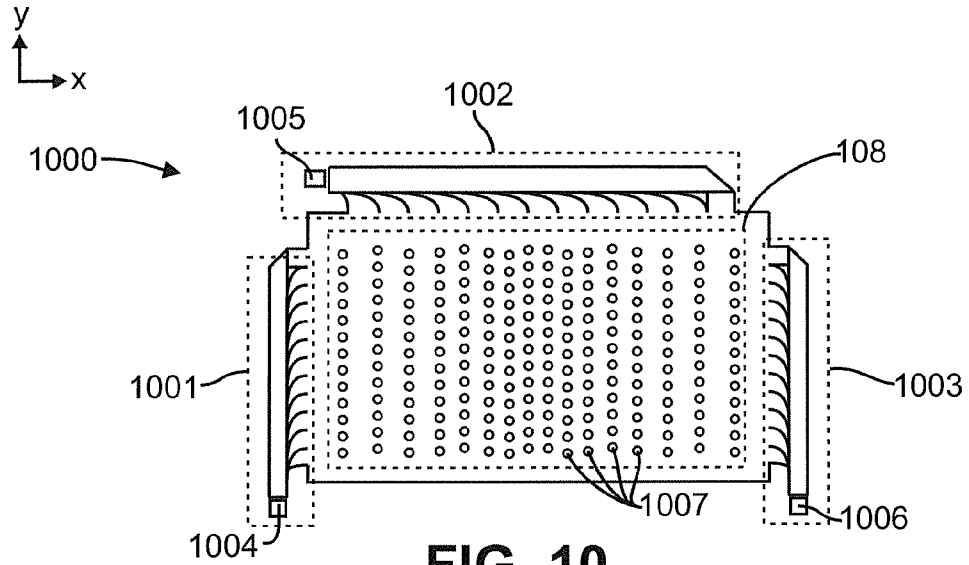


FIG. 10

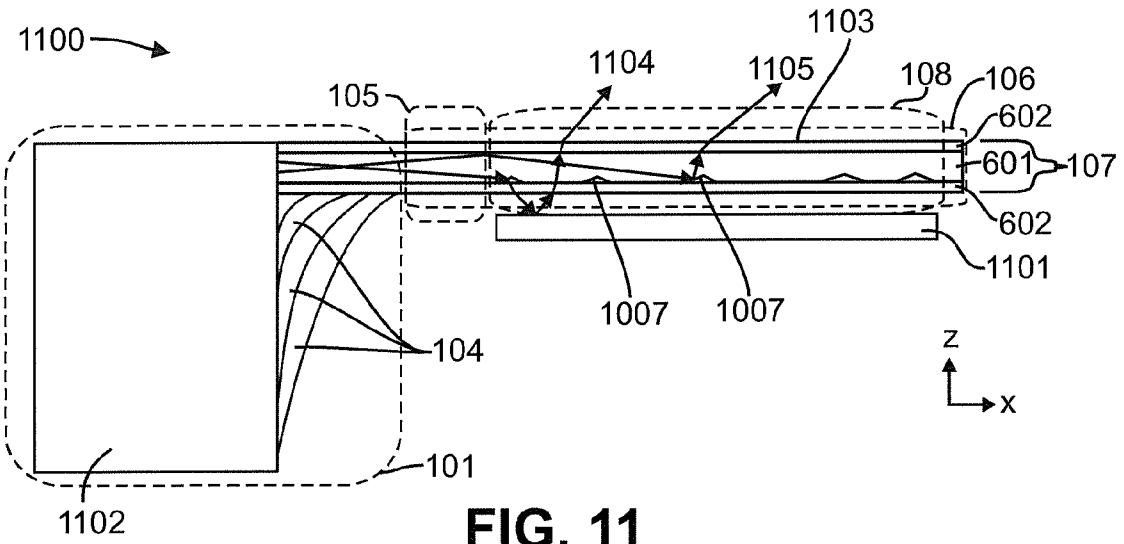


FIG. 11

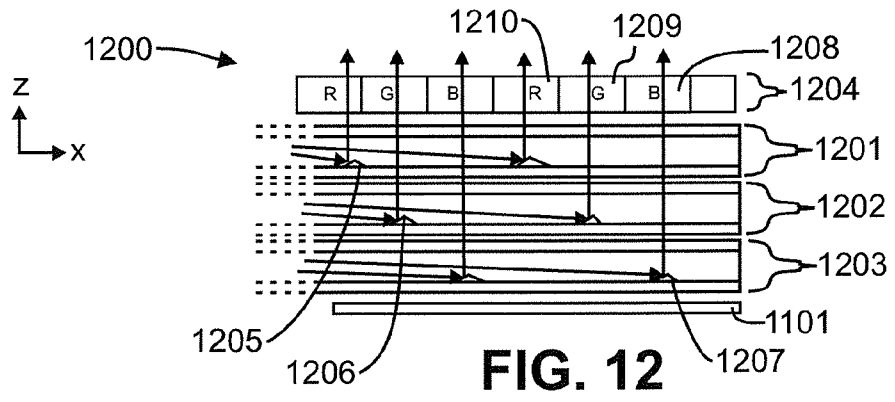


FIG. 12

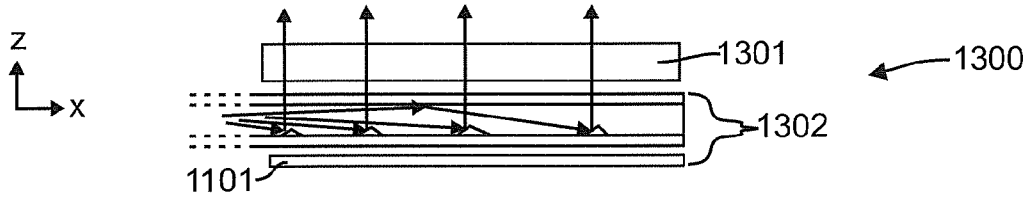


FIG. 13

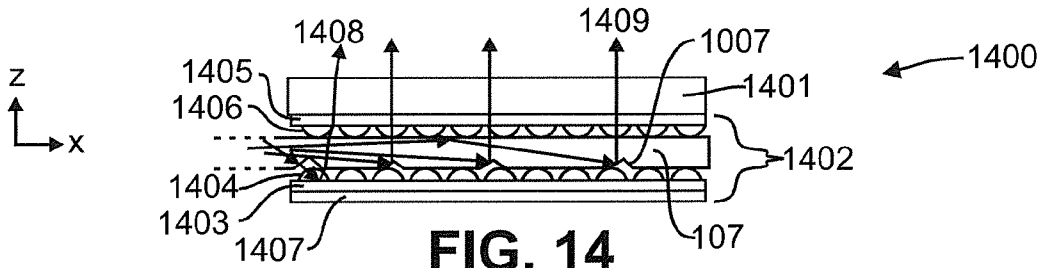


FIG. 14

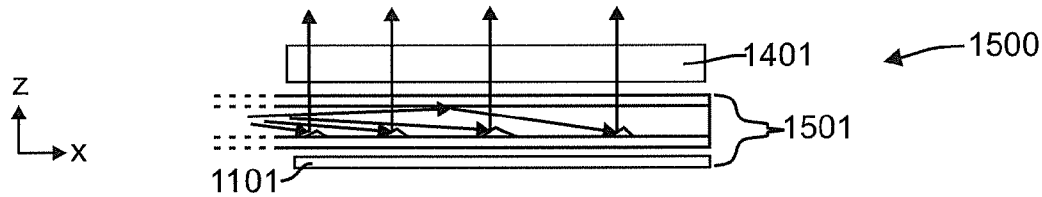


FIG. 15

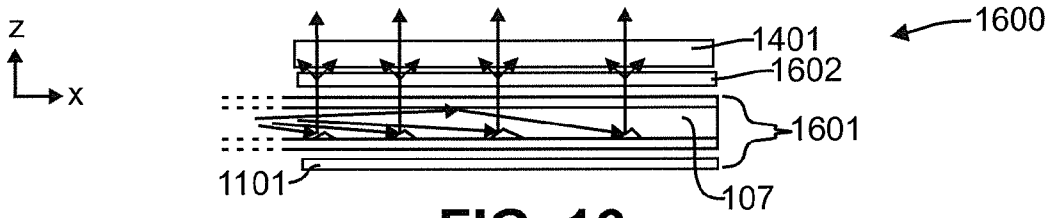


FIG. 16

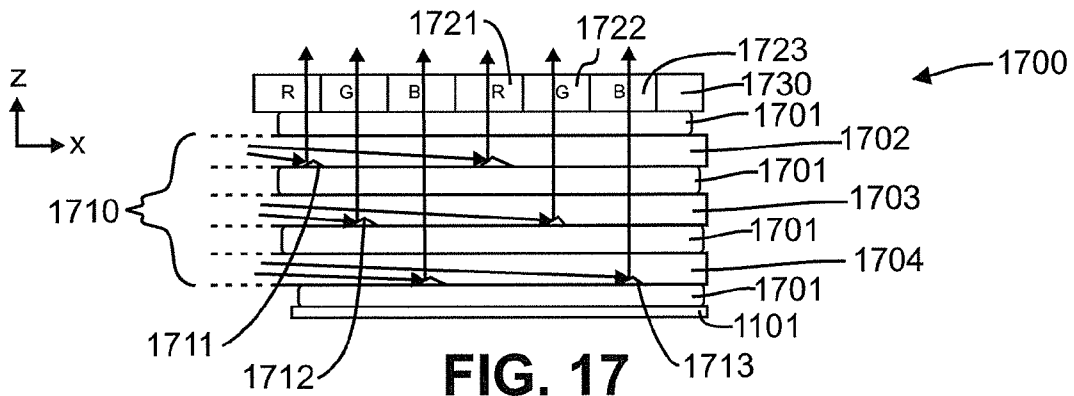


FIG. 17

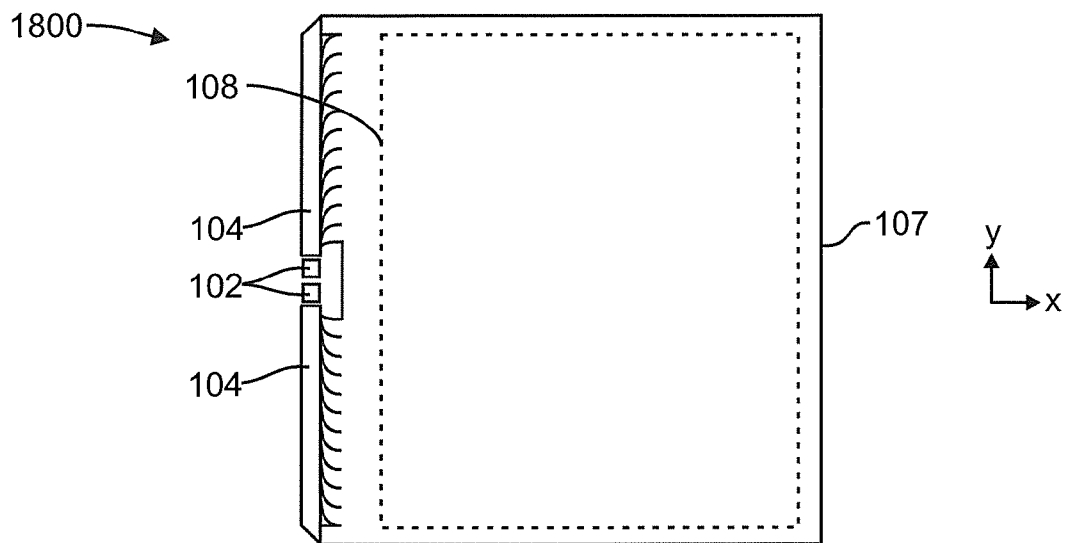


FIG. 18

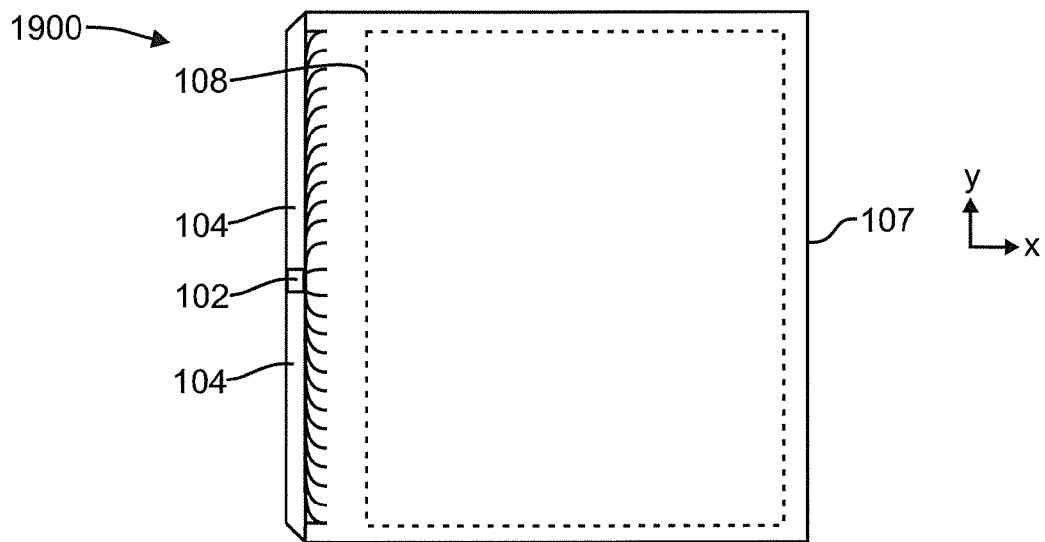


FIG. 19



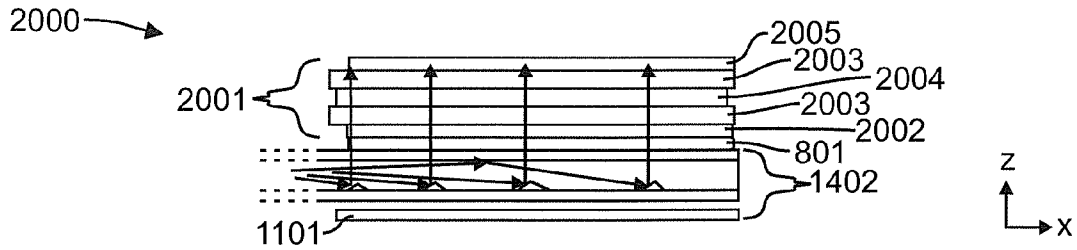


FIG. 20

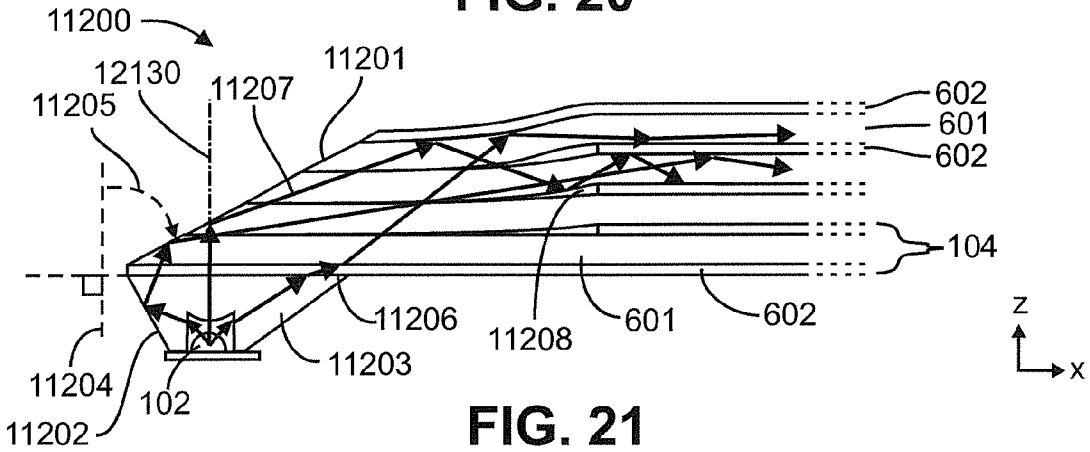


FIG. 21

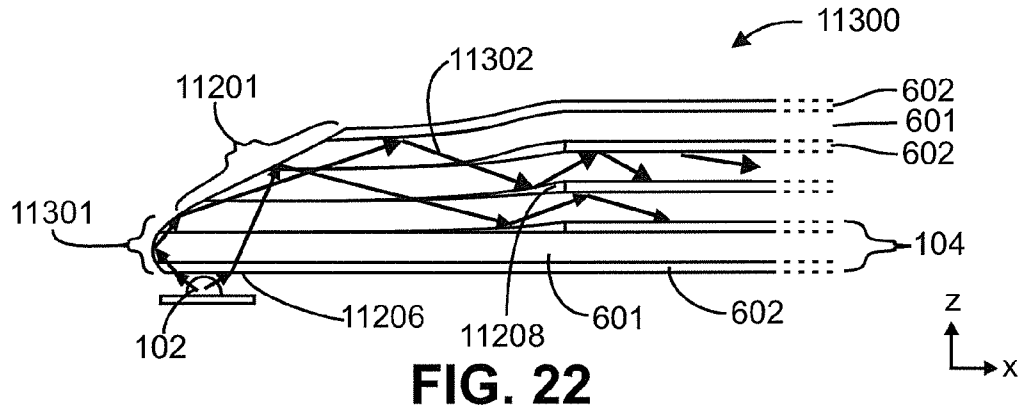


FIG. 22

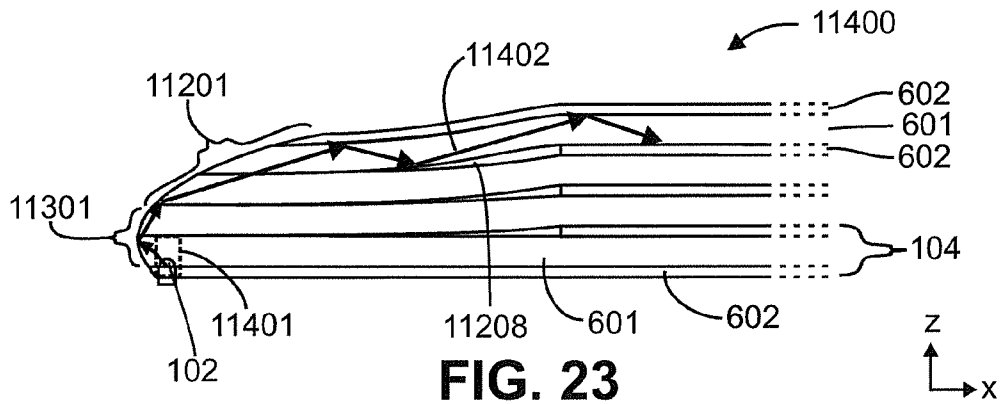


FIG. 23

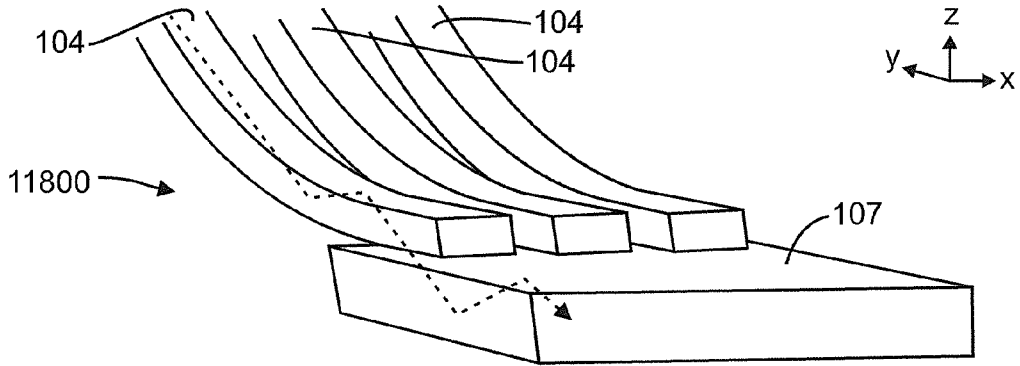


FIG. 24

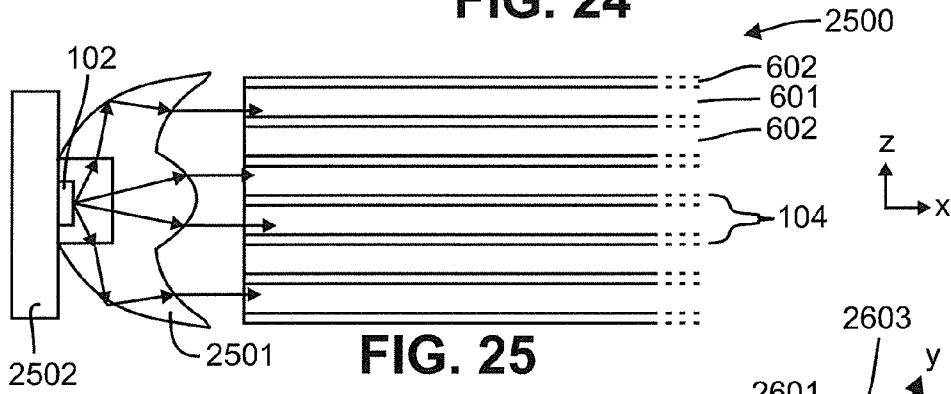


FIG. 25

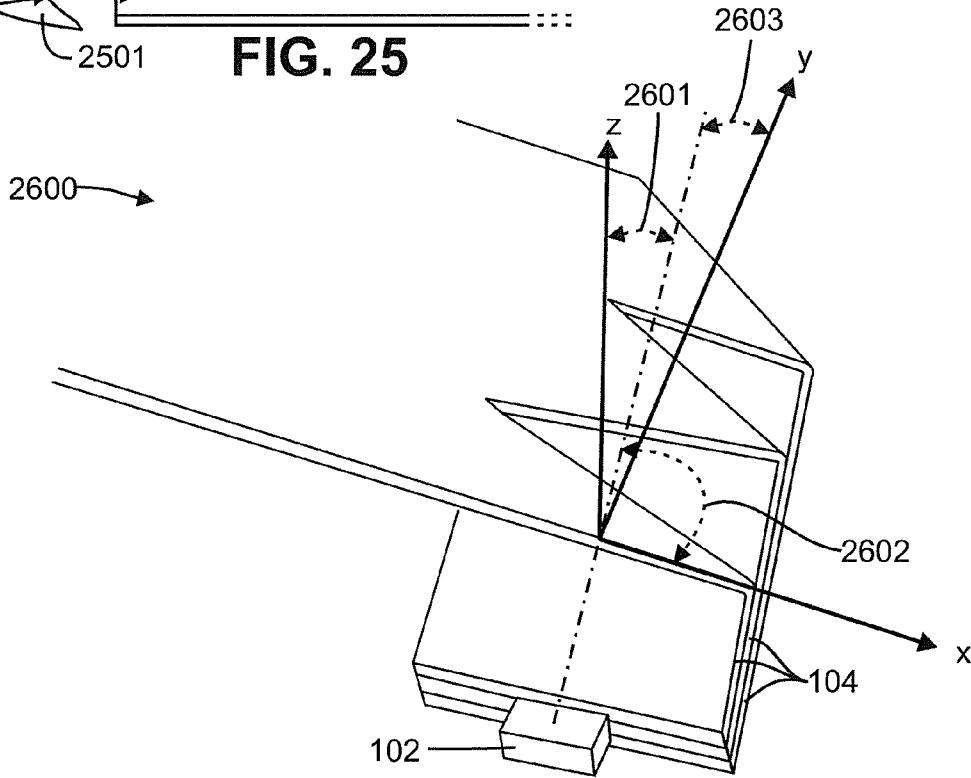


FIG. 26

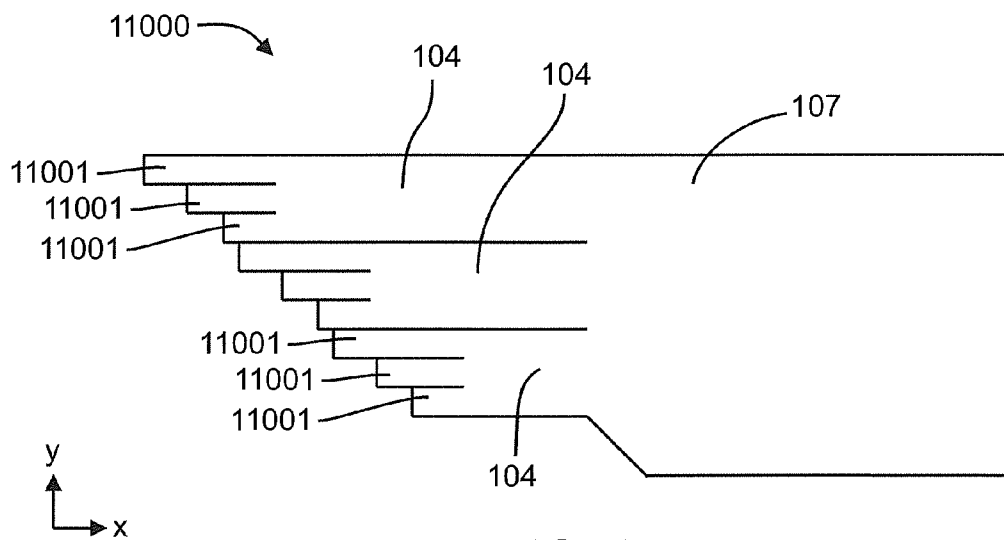


FIG. 27

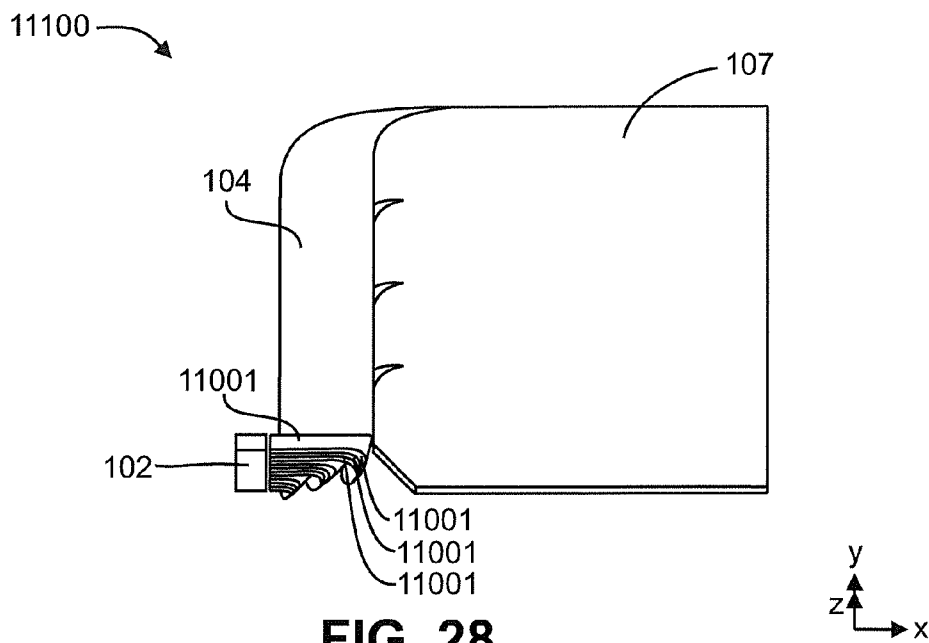


FIG. 28

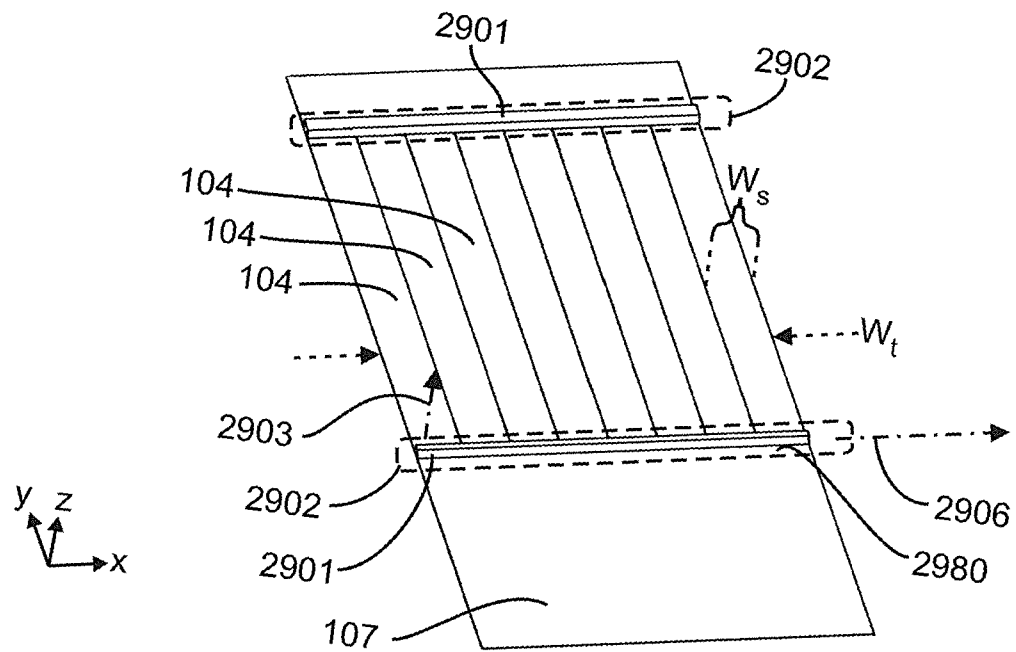


FIG. 29A

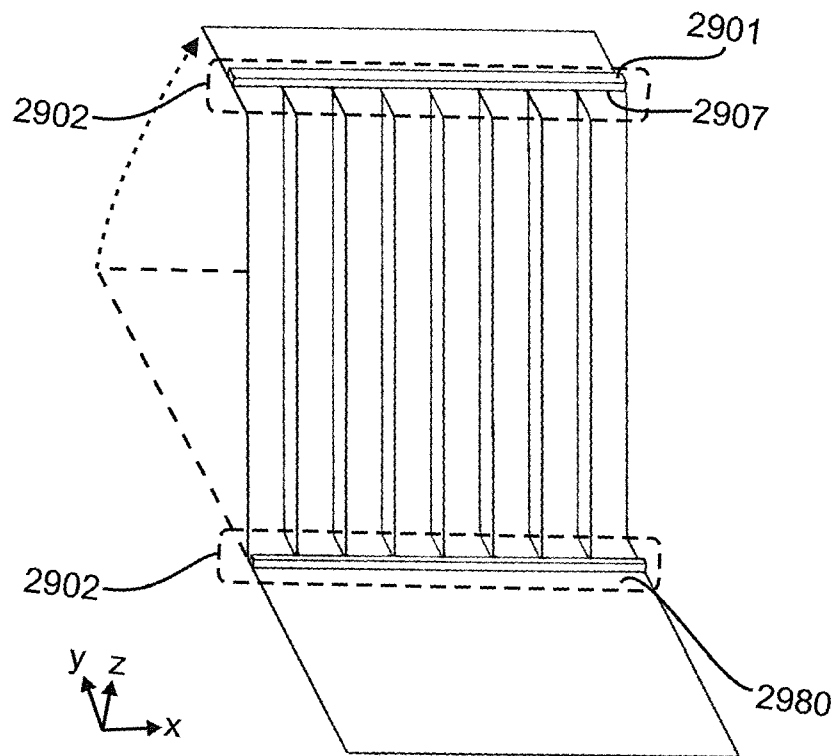


FIG. 29B

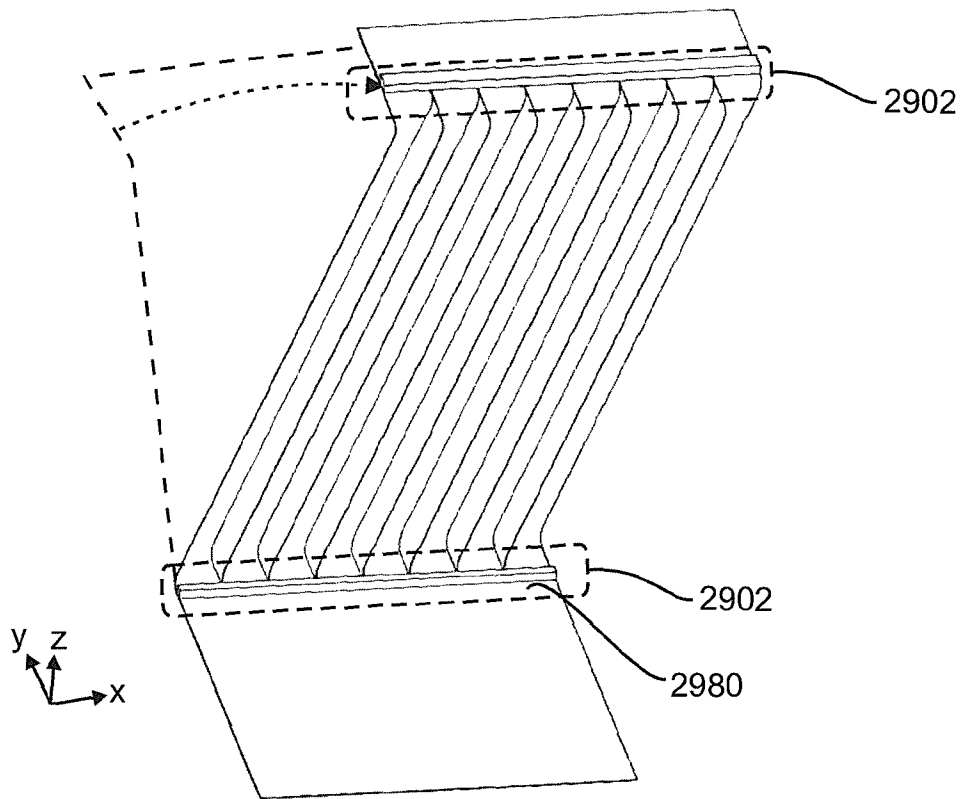


FIG. 29C

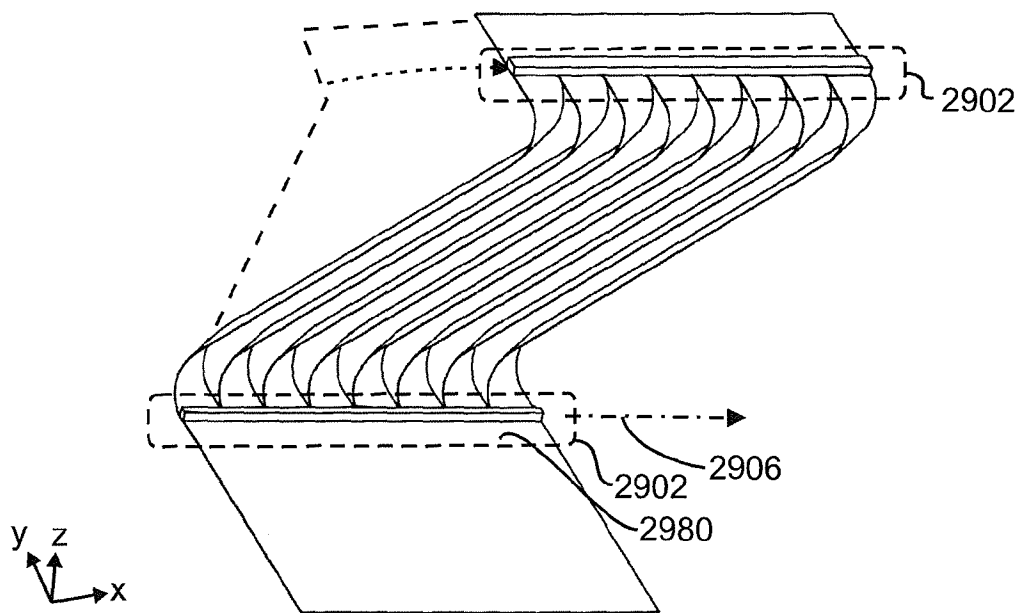


FIG. 29D

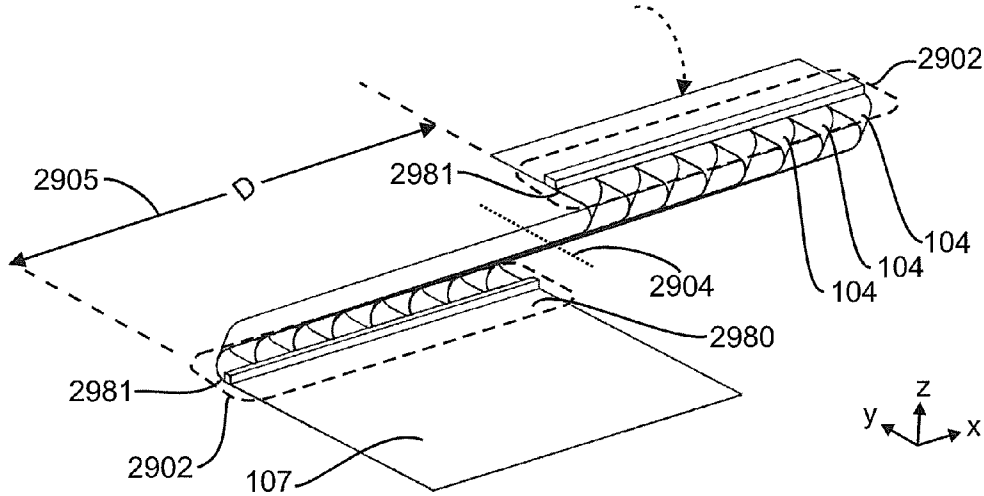


FIG. 29E

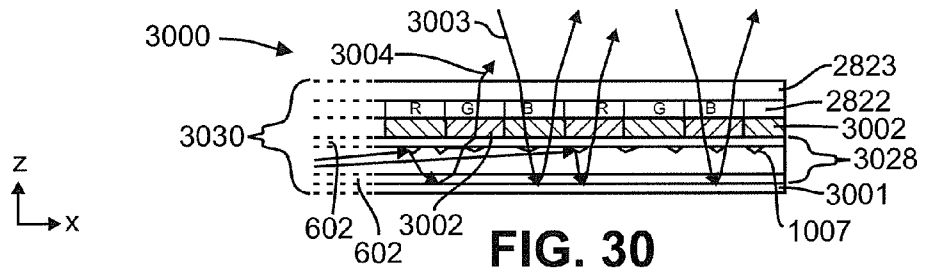


FIG. 30

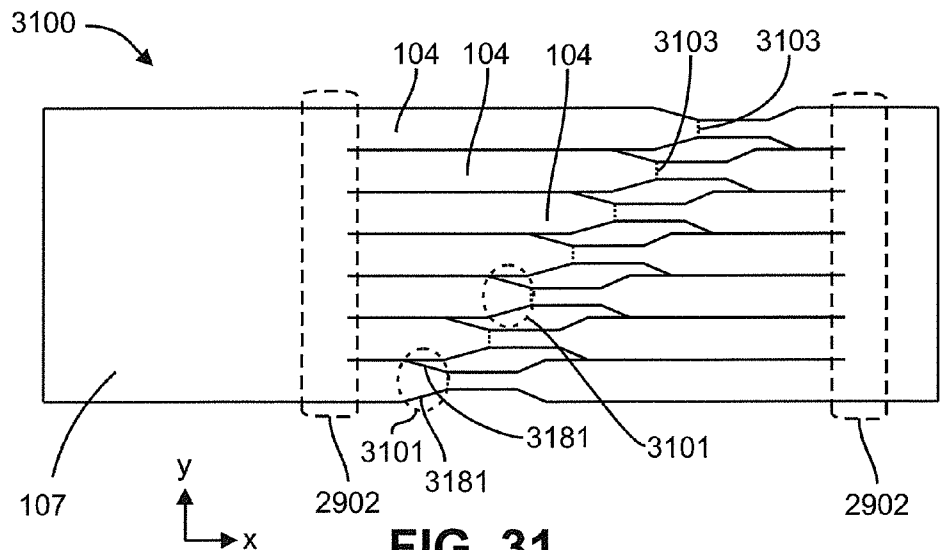


FIG. 31

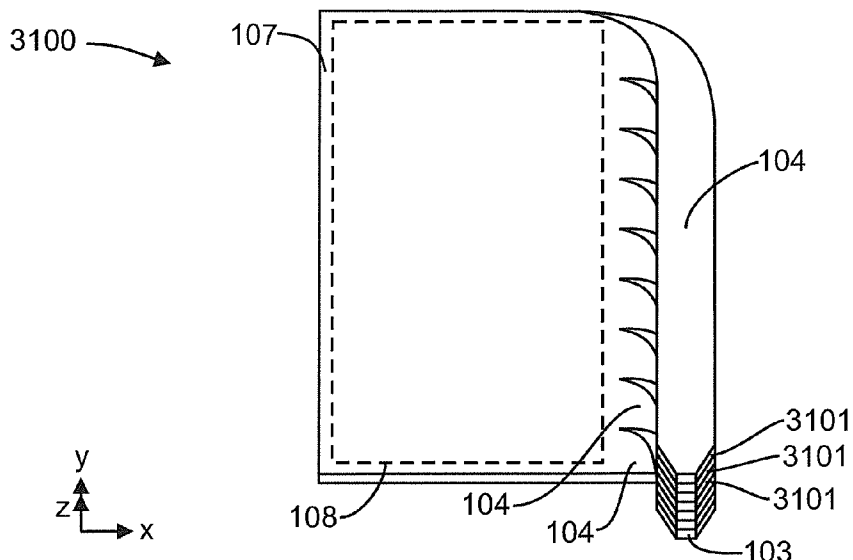


FIG. 32

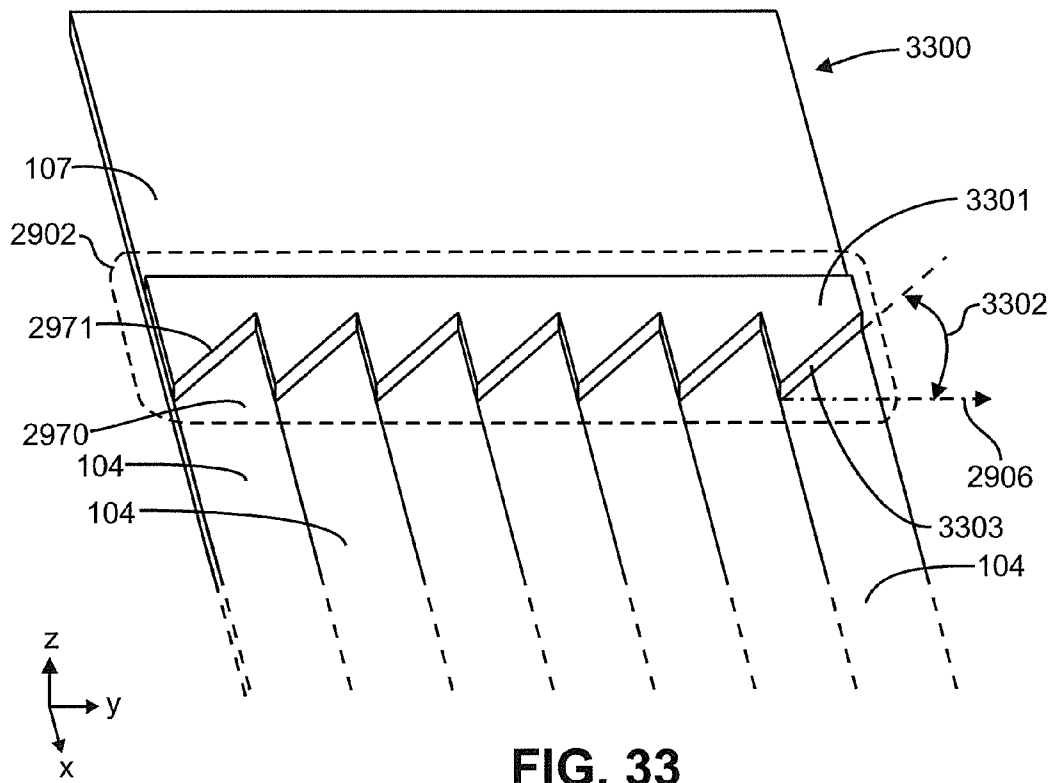


FIG. 33

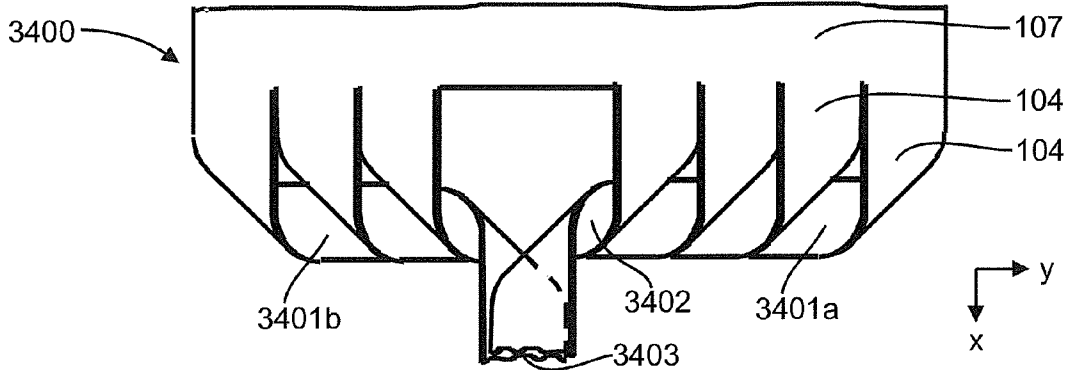


FIG. 34

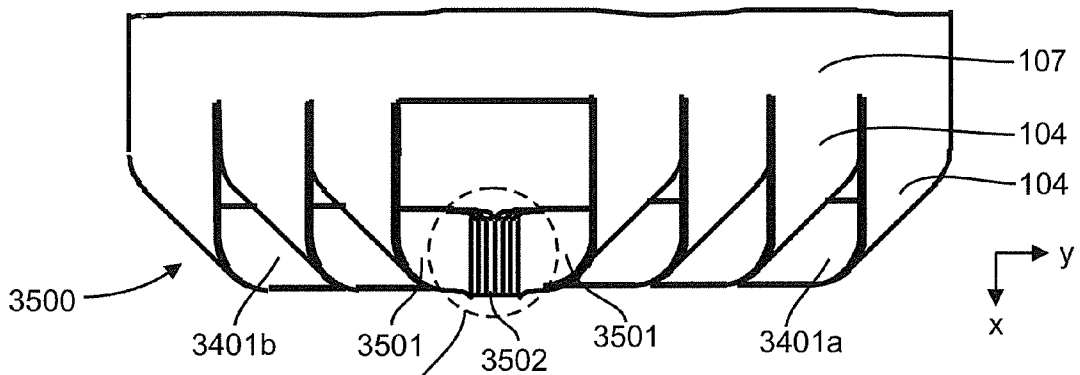


FIG 35b

FIG. 35A

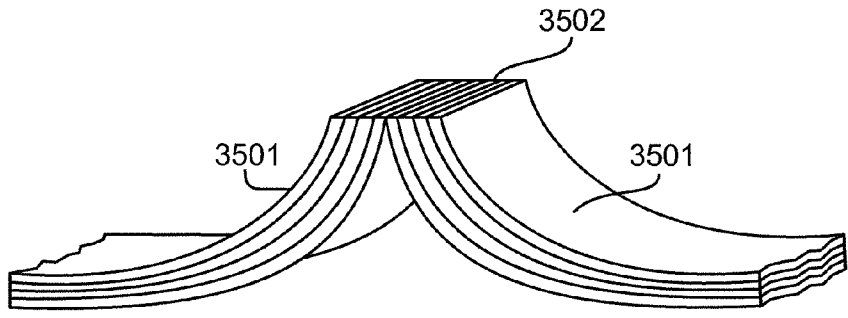
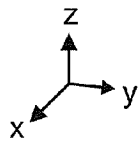
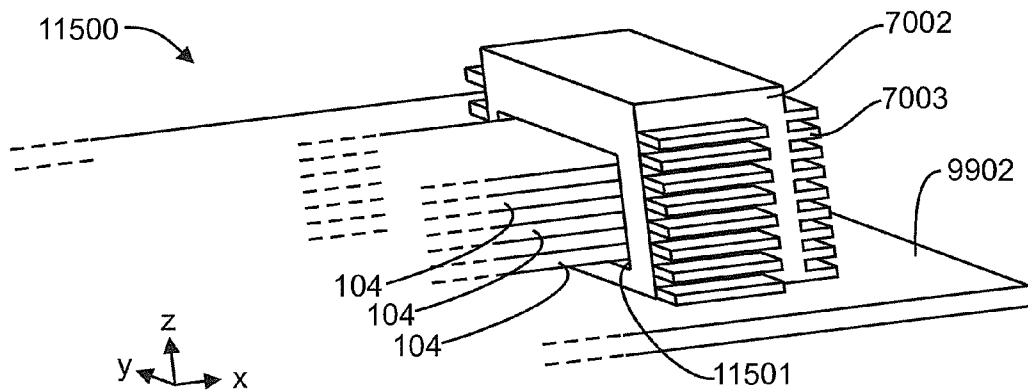


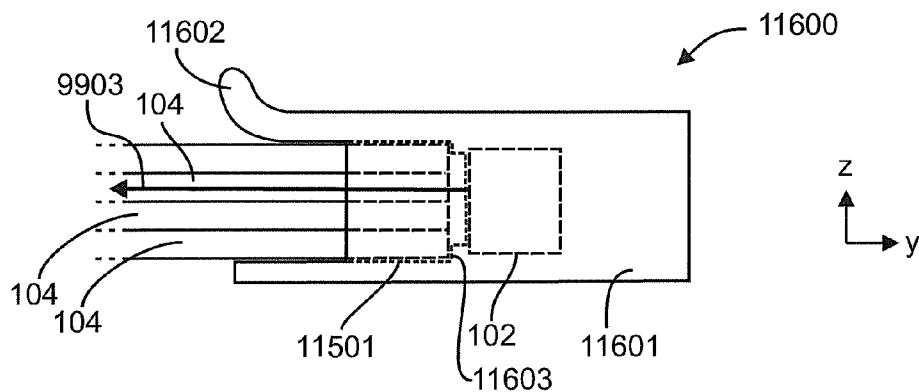
FIG. 35B



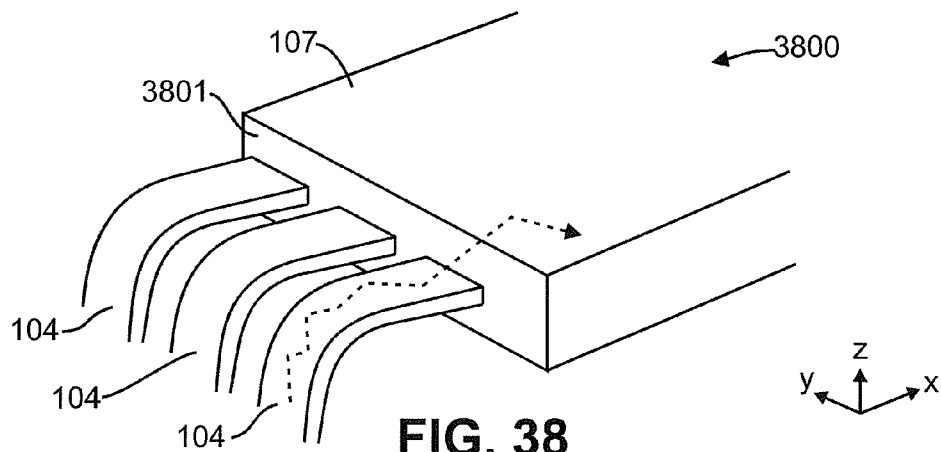




**FIG. 36**



**FIG. 37**



**FIG. 38**

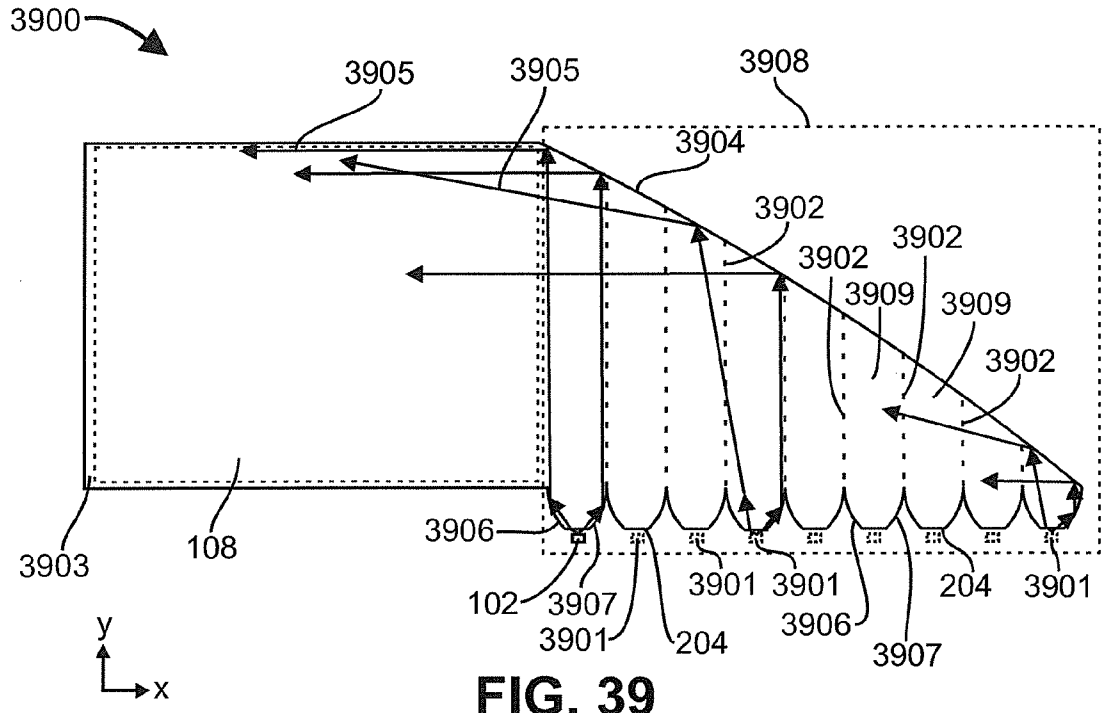


FIG. 39

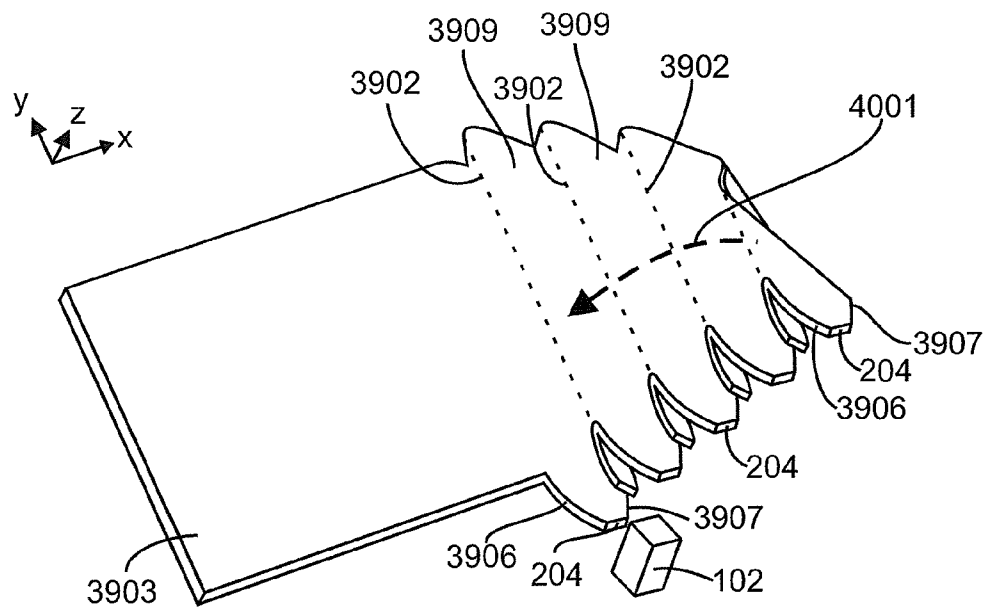


FIG. 40

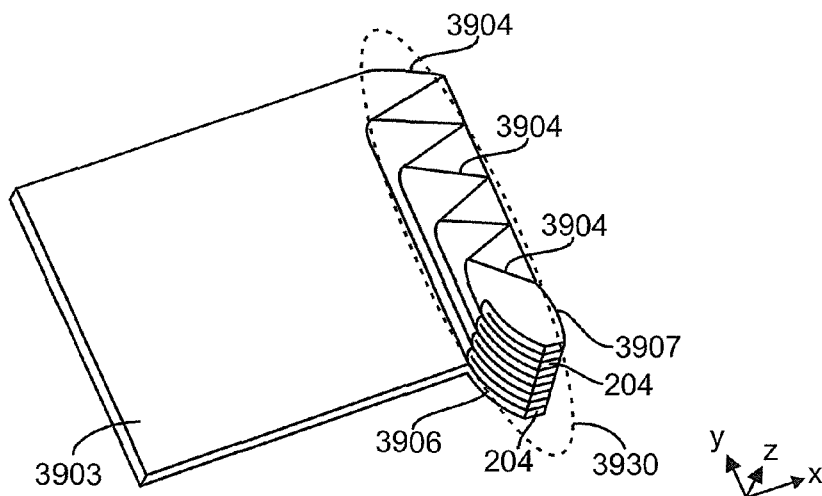


FIG. 41

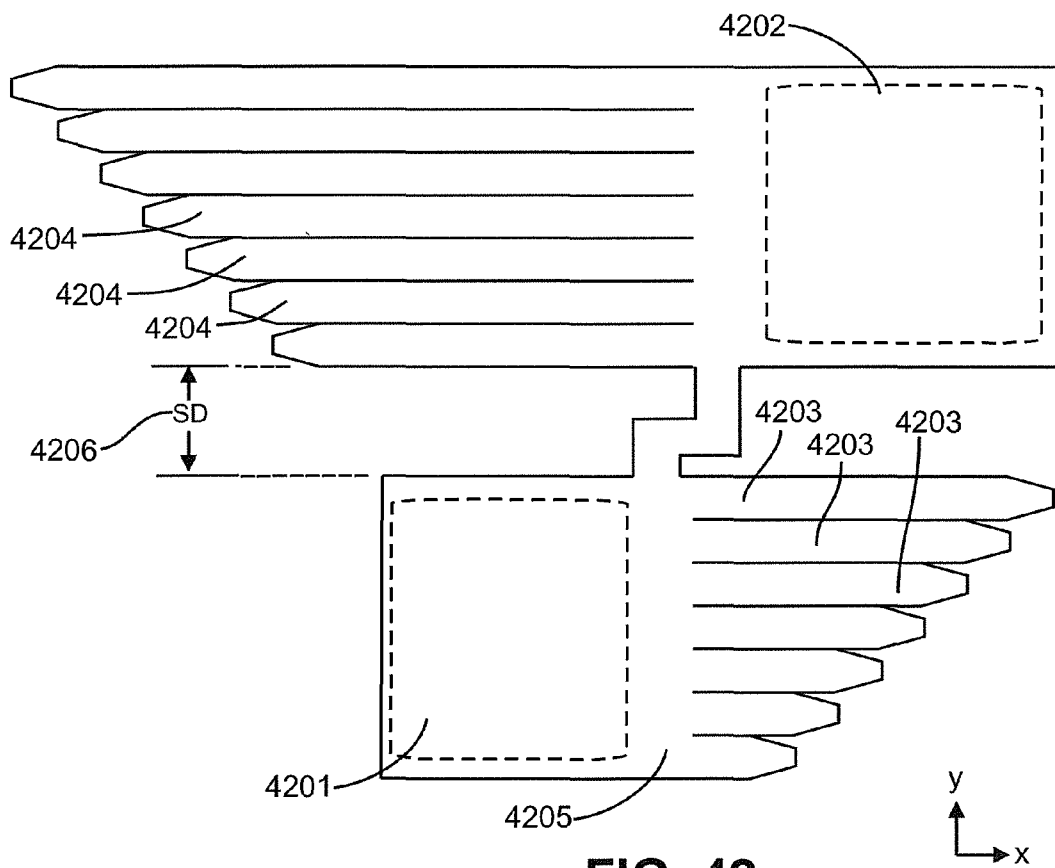


FIG. 42

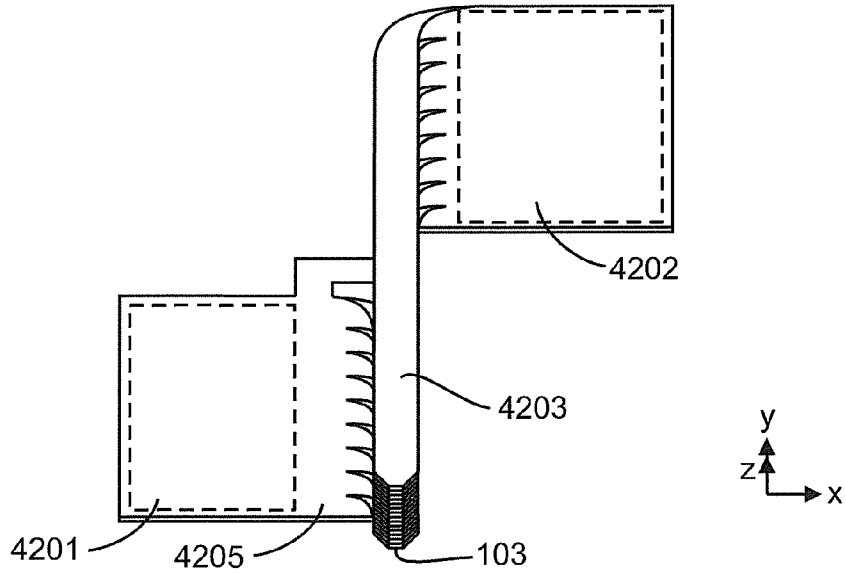


FIG. 43

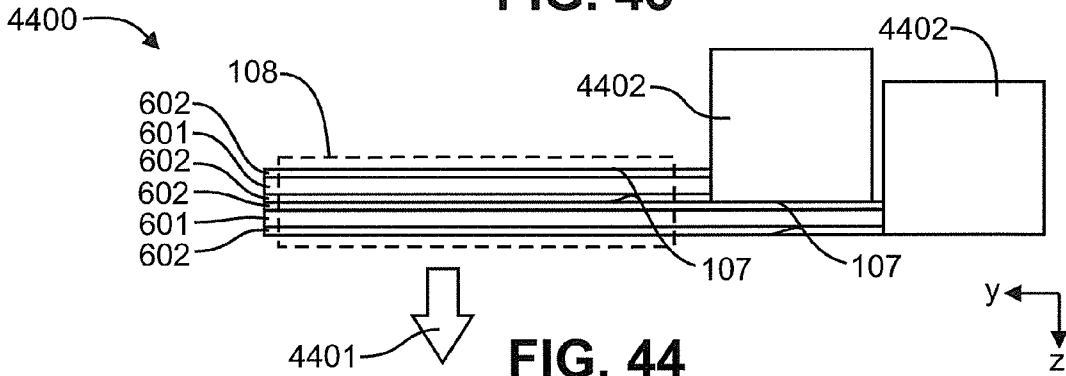


FIG. 44

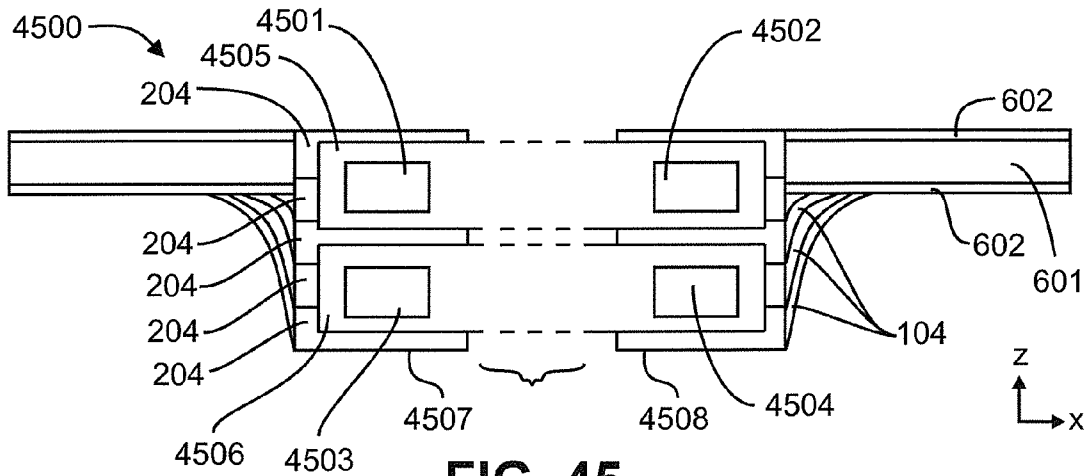
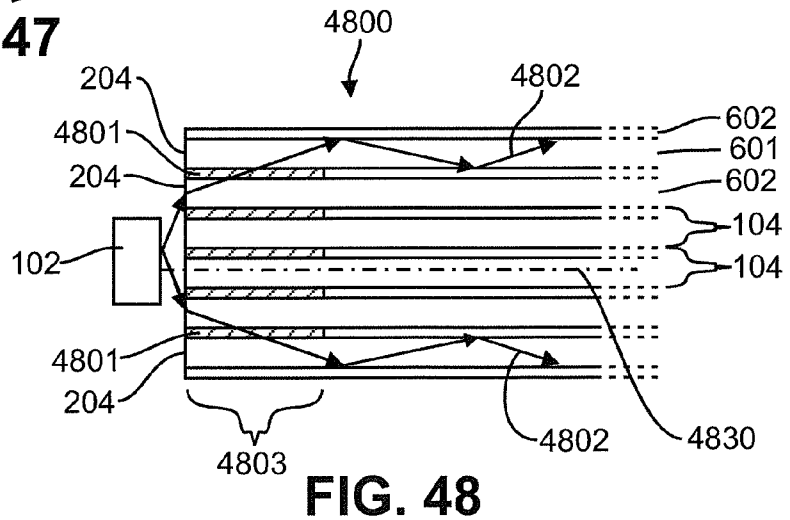
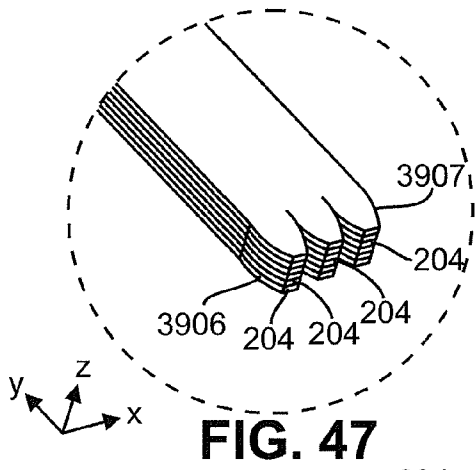
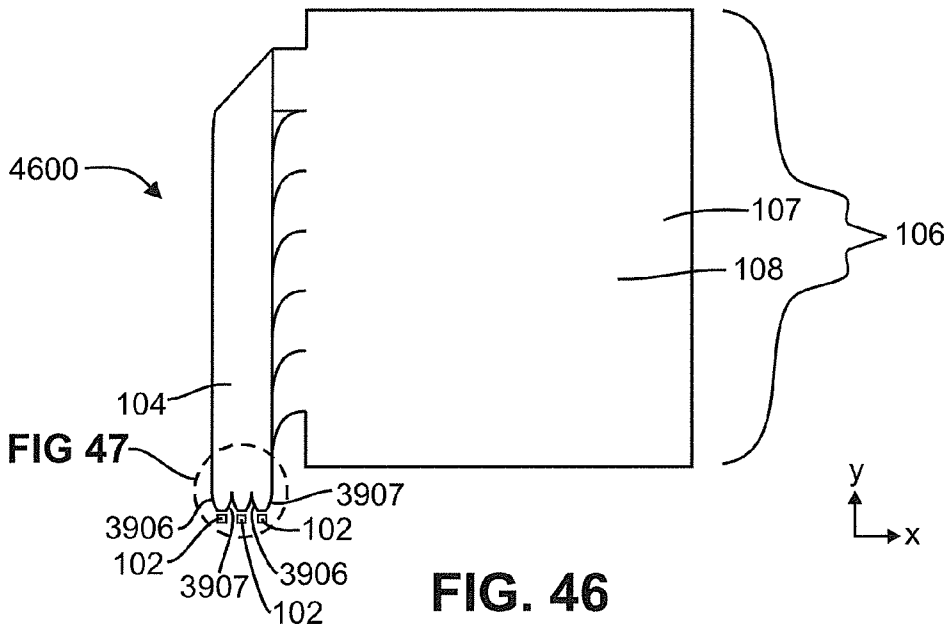


FIG. 45



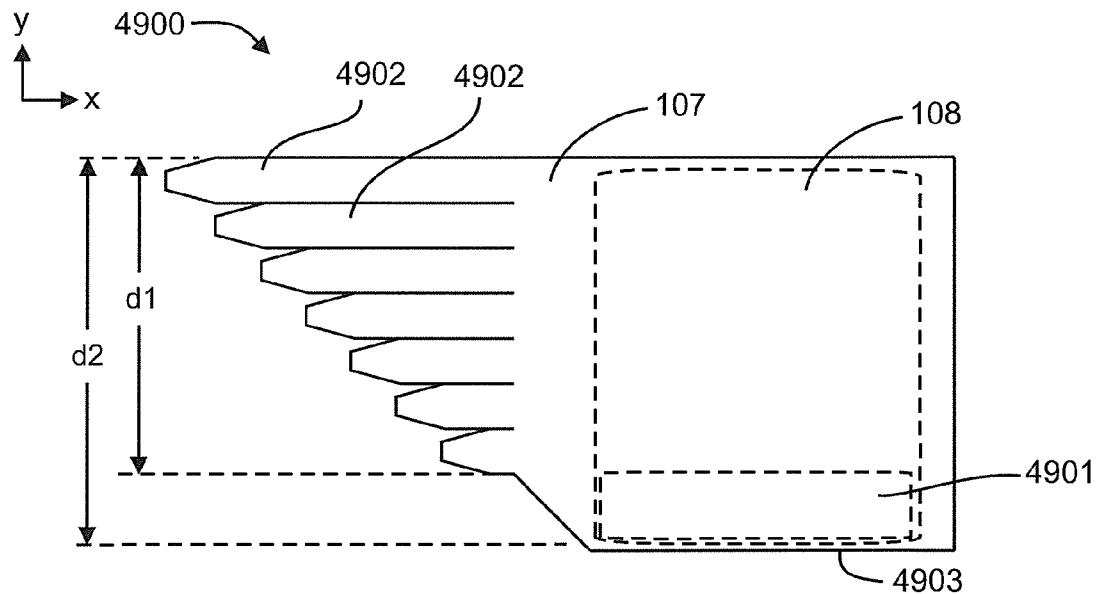


FIG. 49

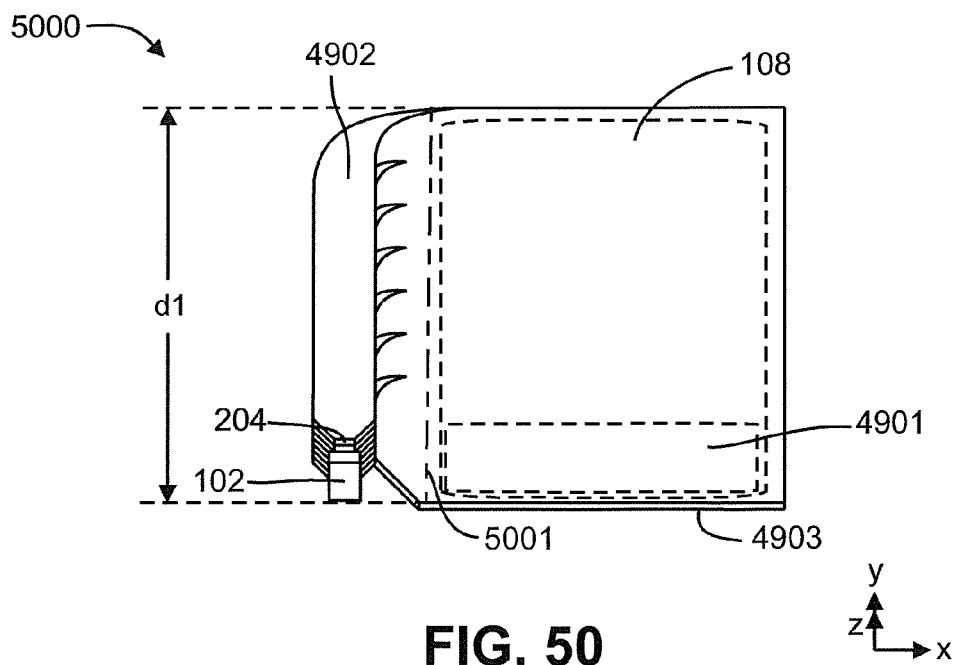
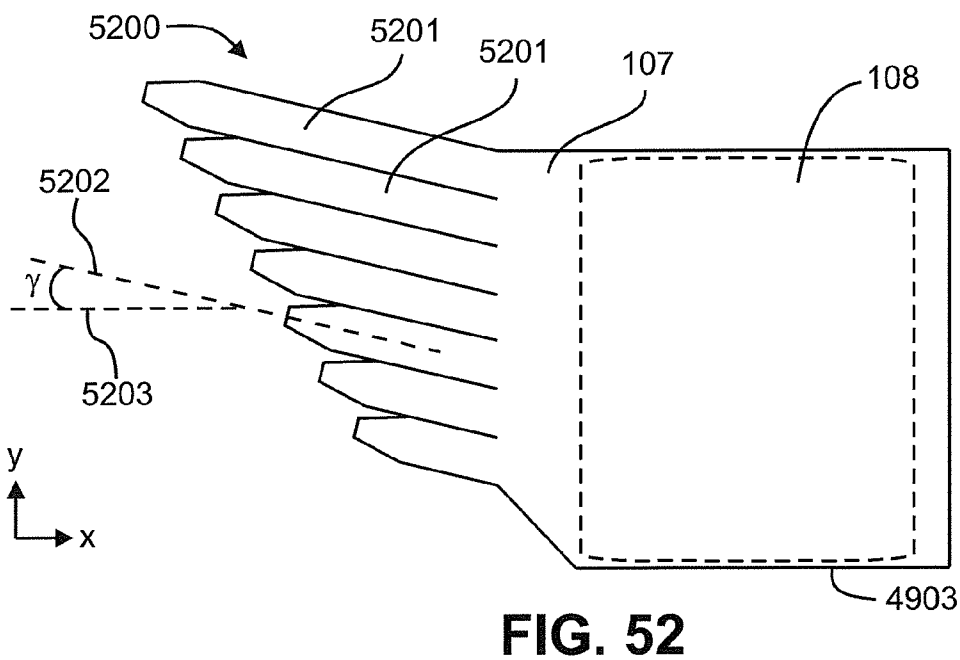
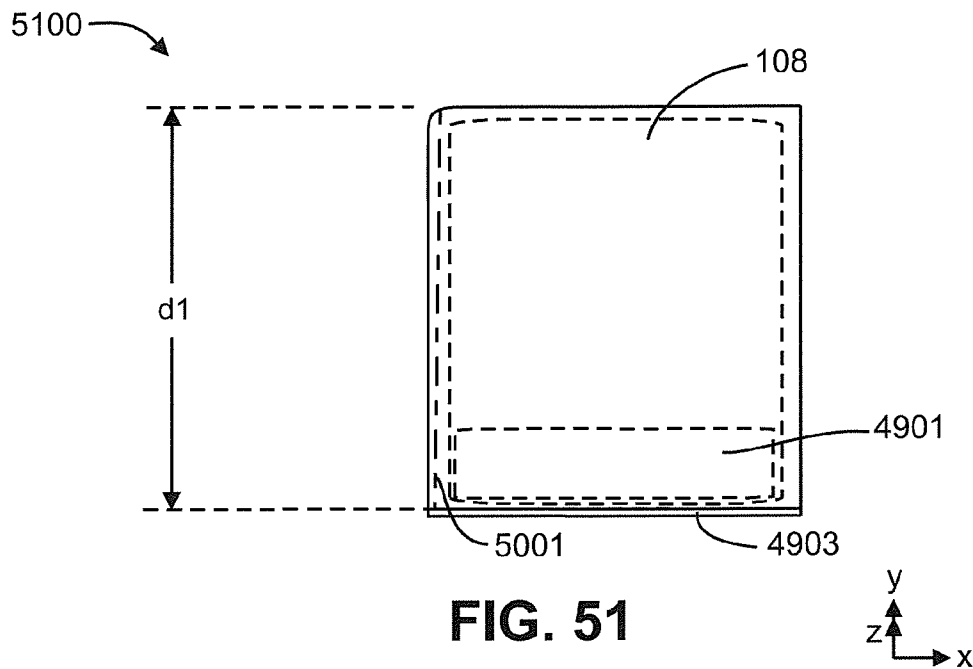


FIG. 50



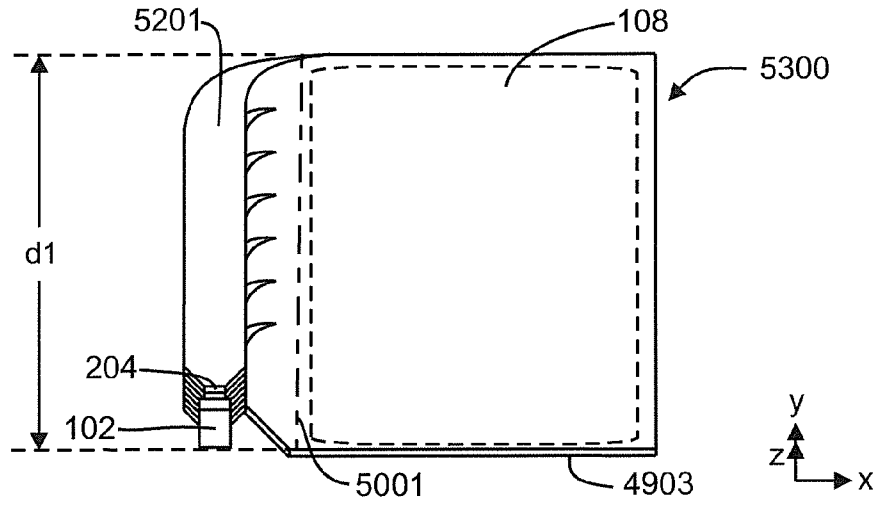


FIG. 53

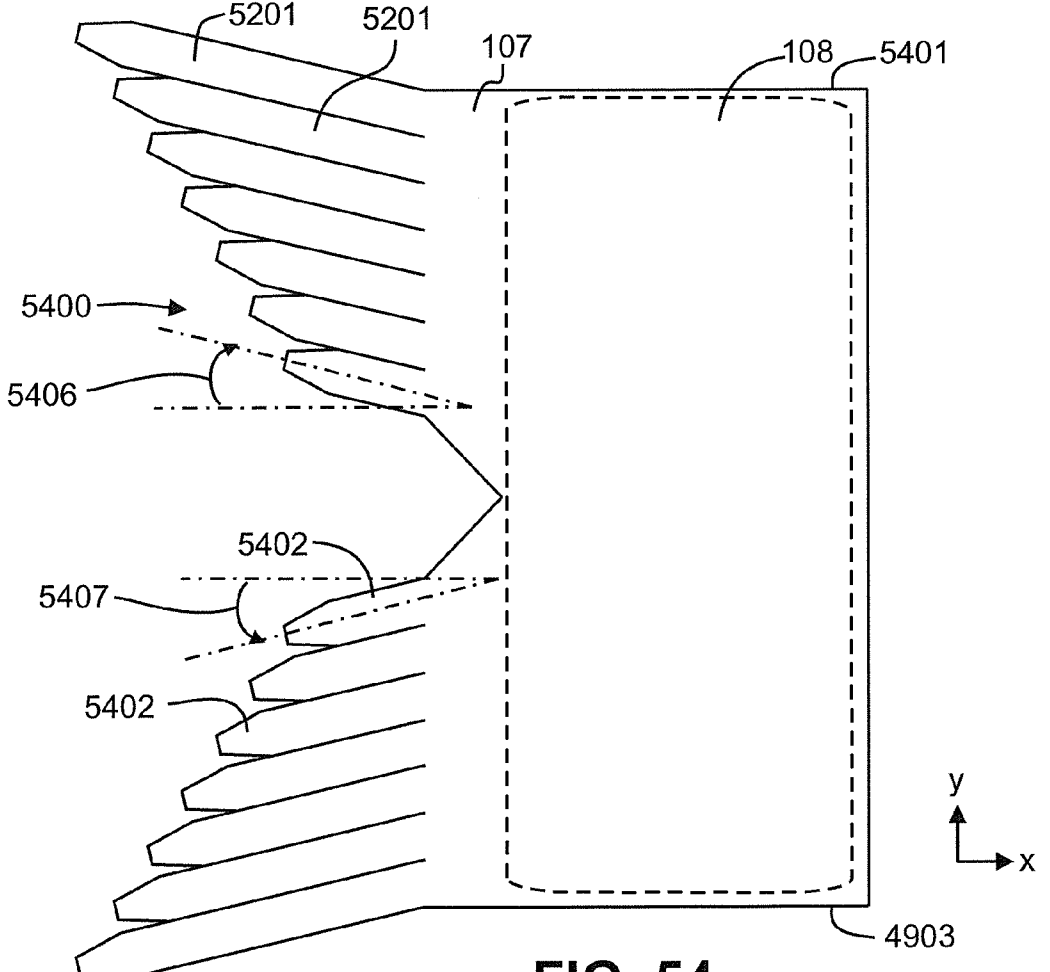
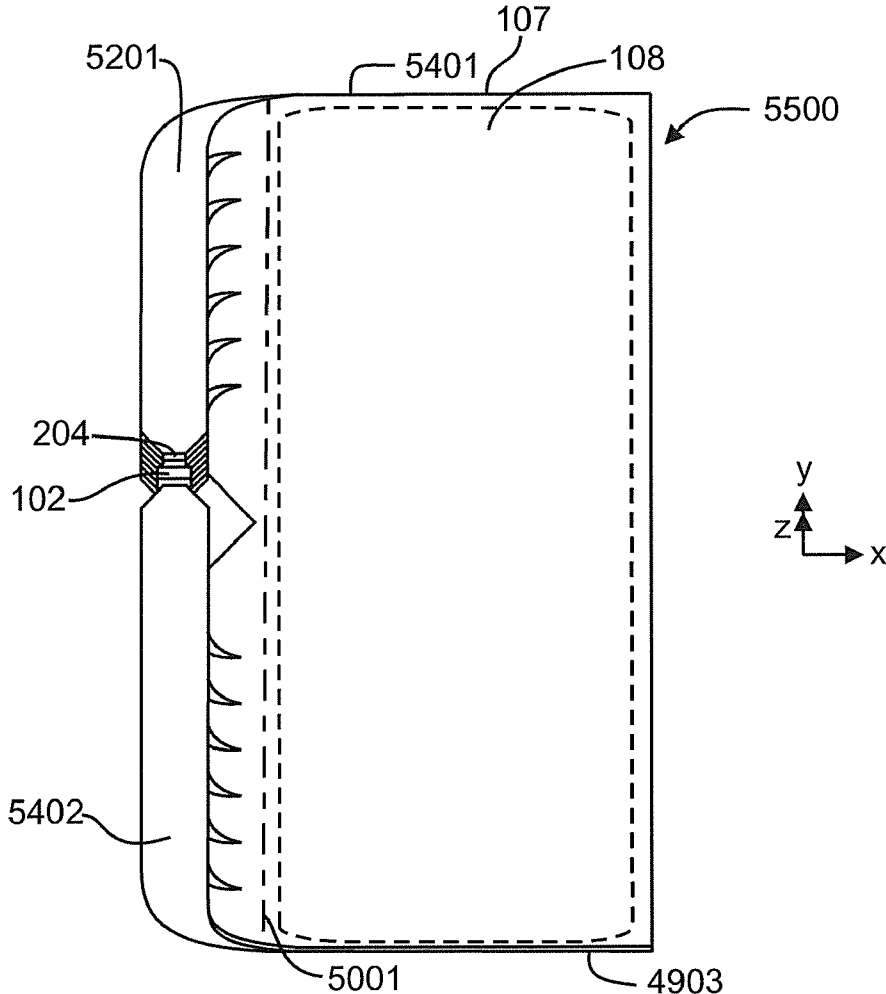
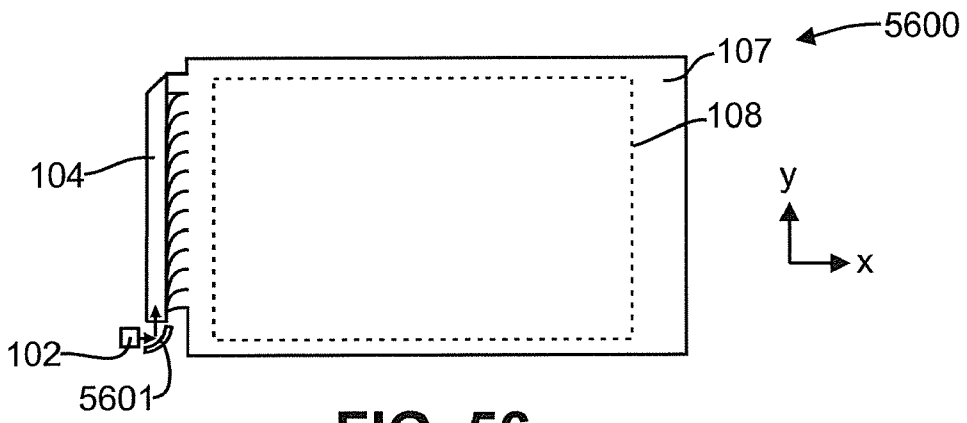


FIG. 54

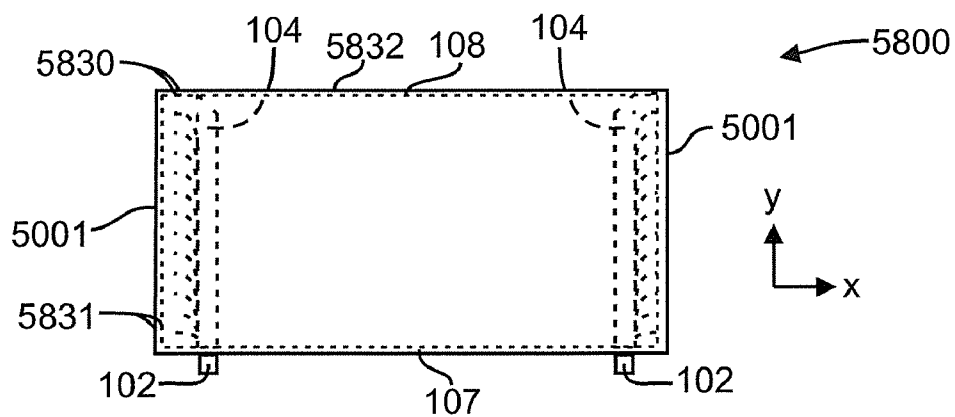
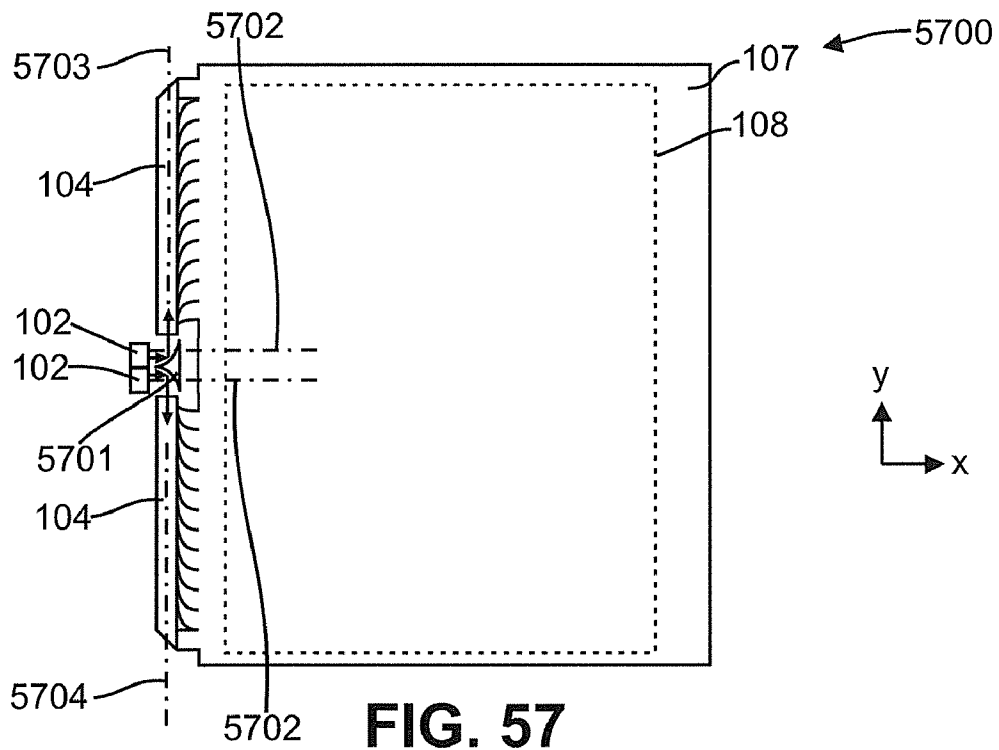


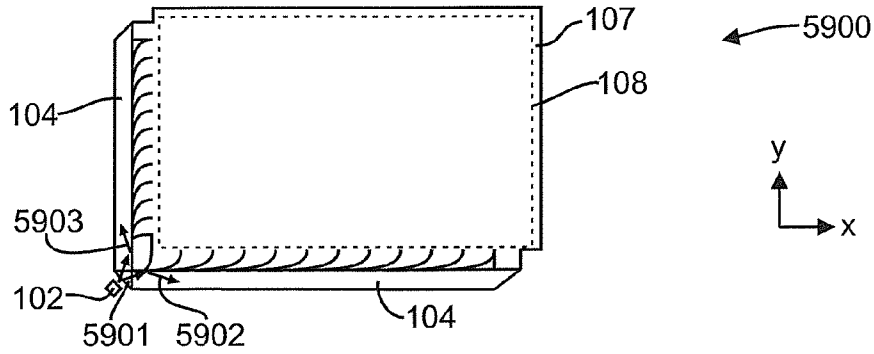


**FIG. 55**

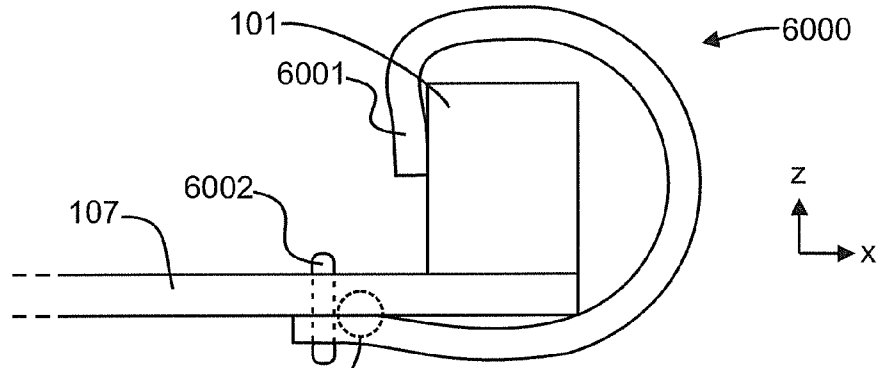


**FIG. 56**

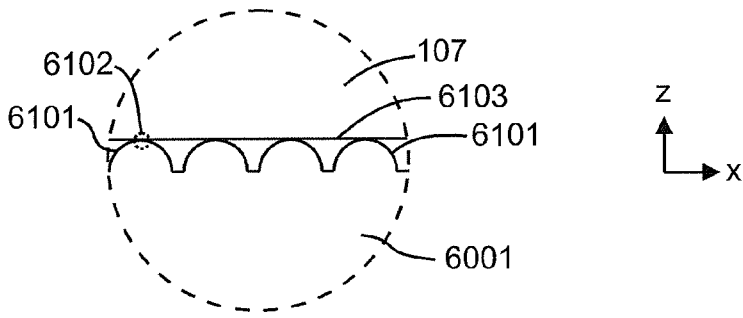




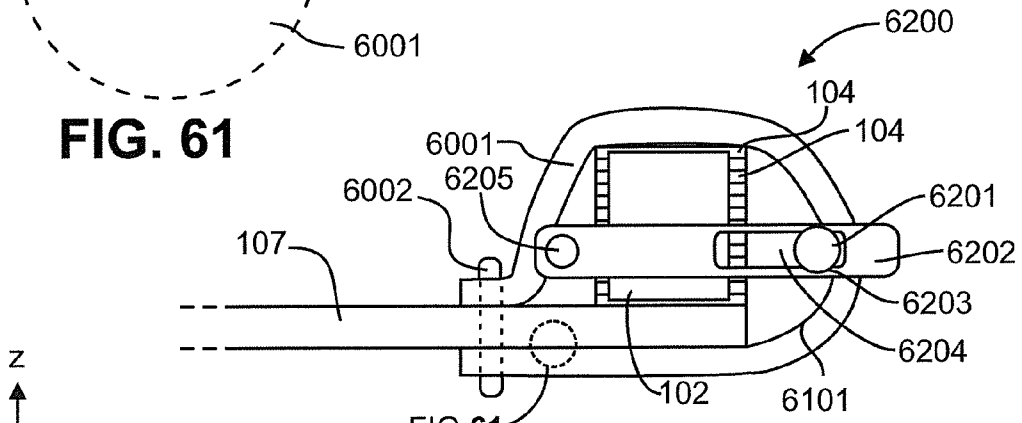
**FIG. 59**



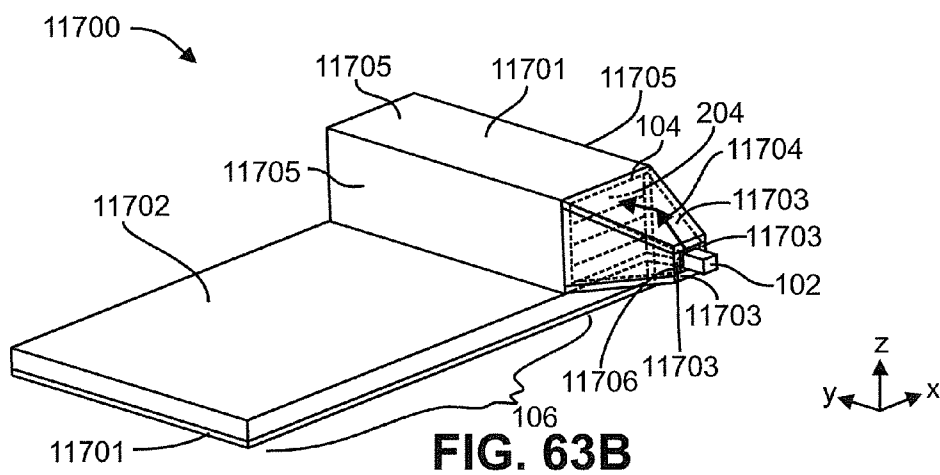
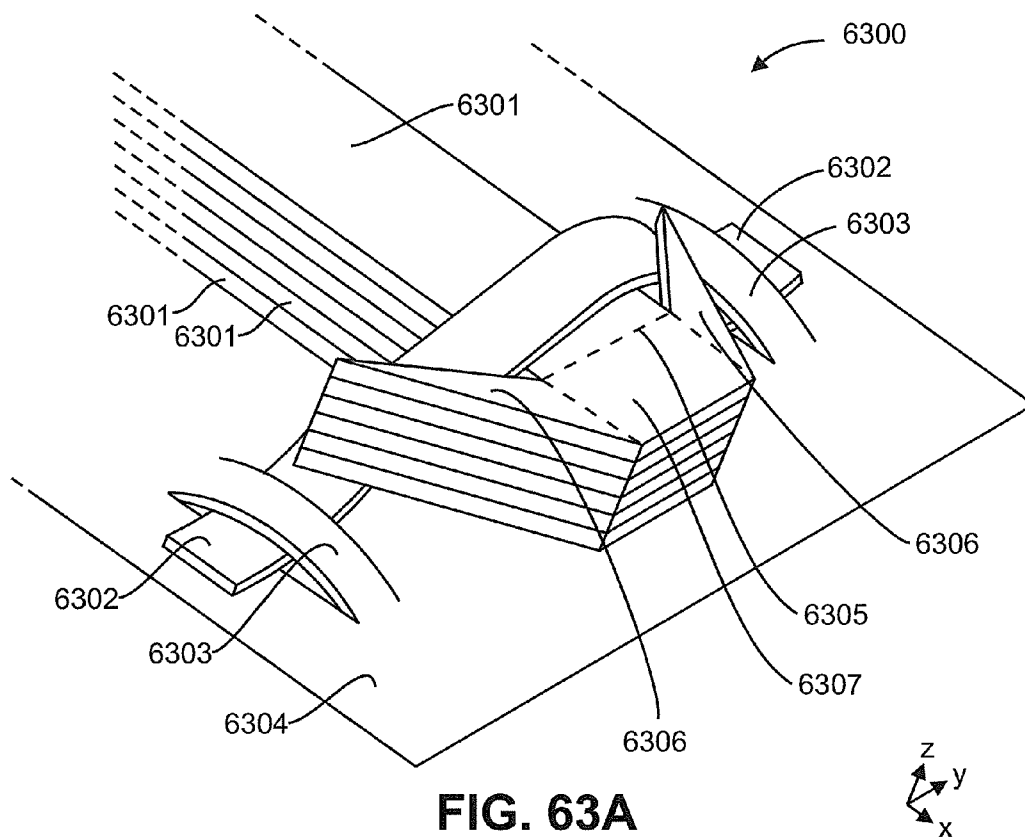
**FIG. 60**

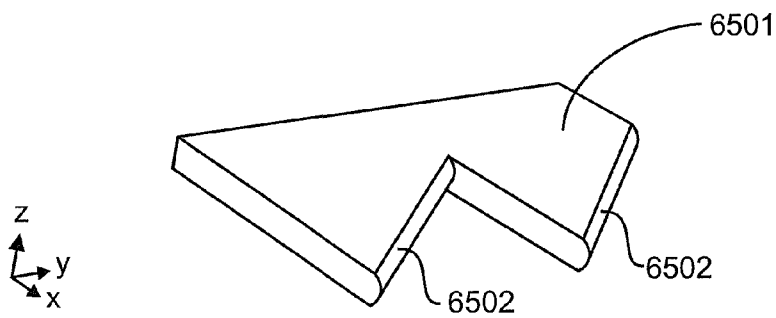
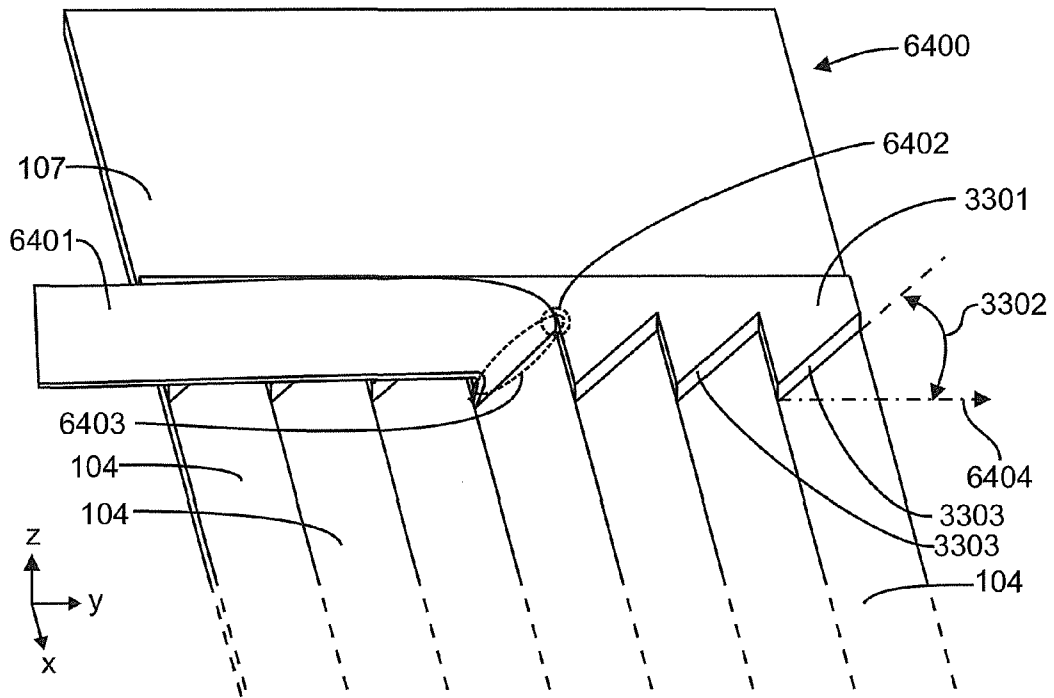


**FIG. 61**



**FIG. 62**





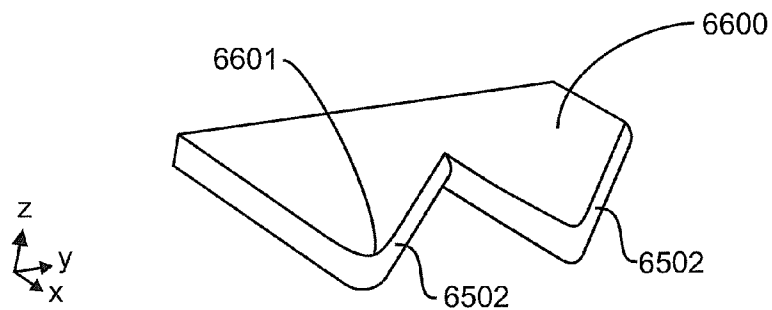


FIG. 66

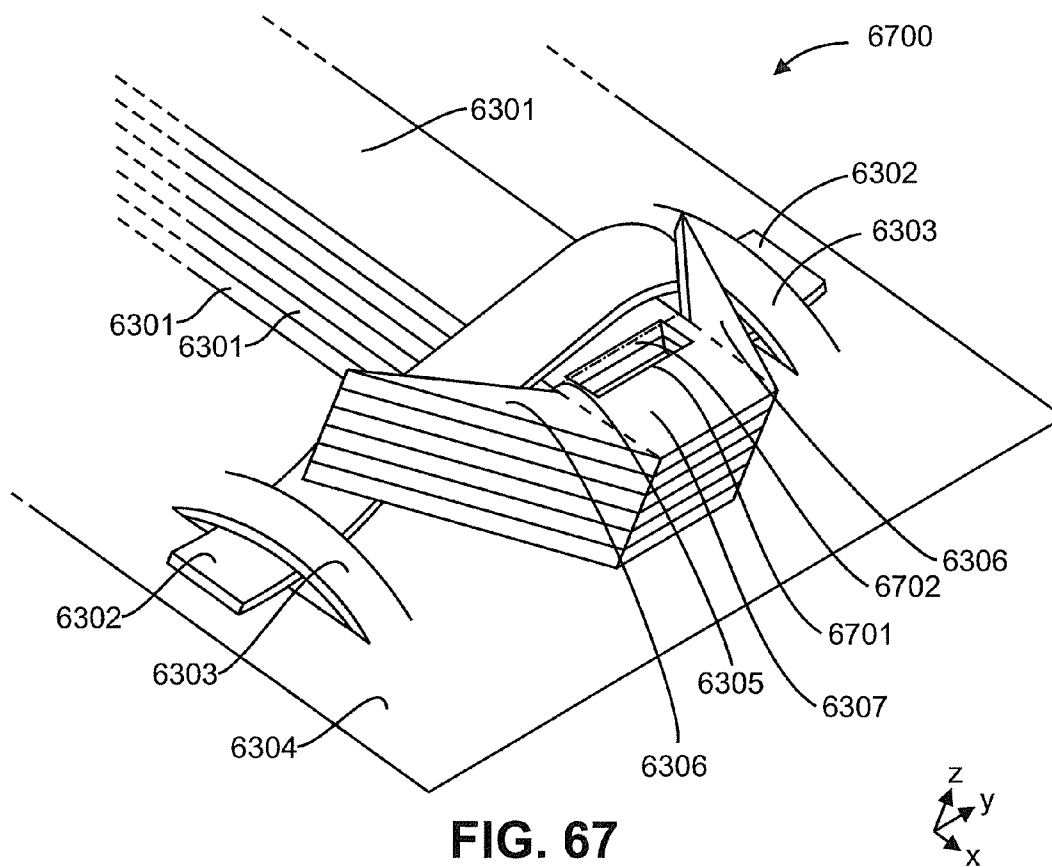


FIG. 67

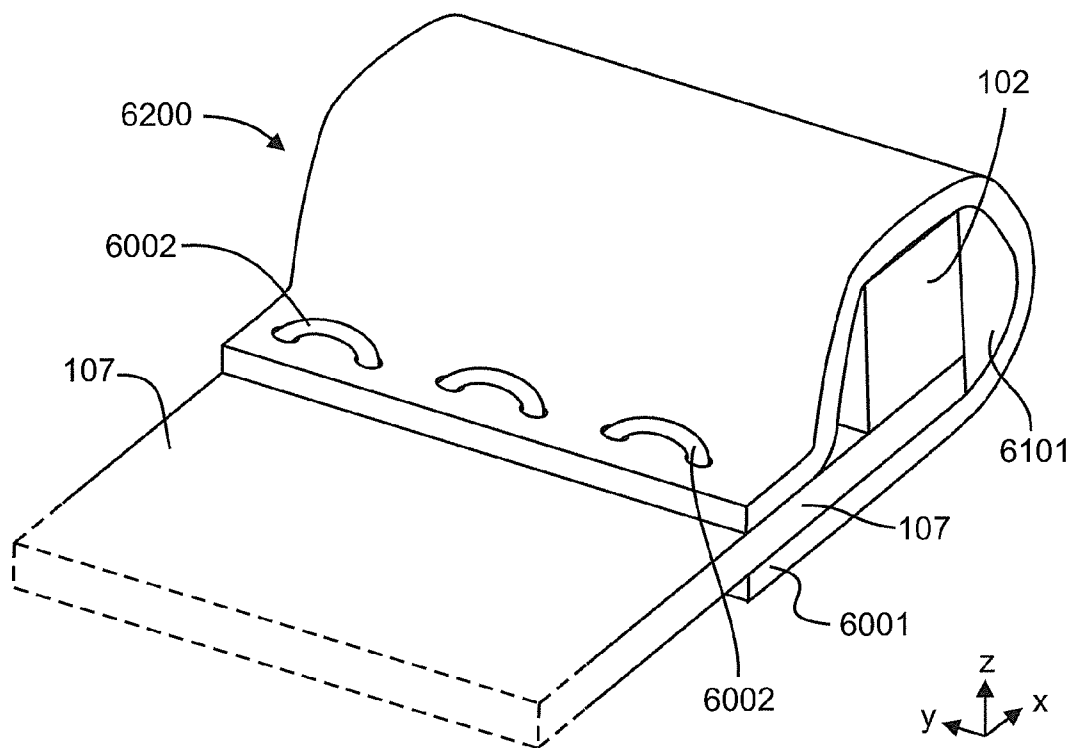


FIG. 68

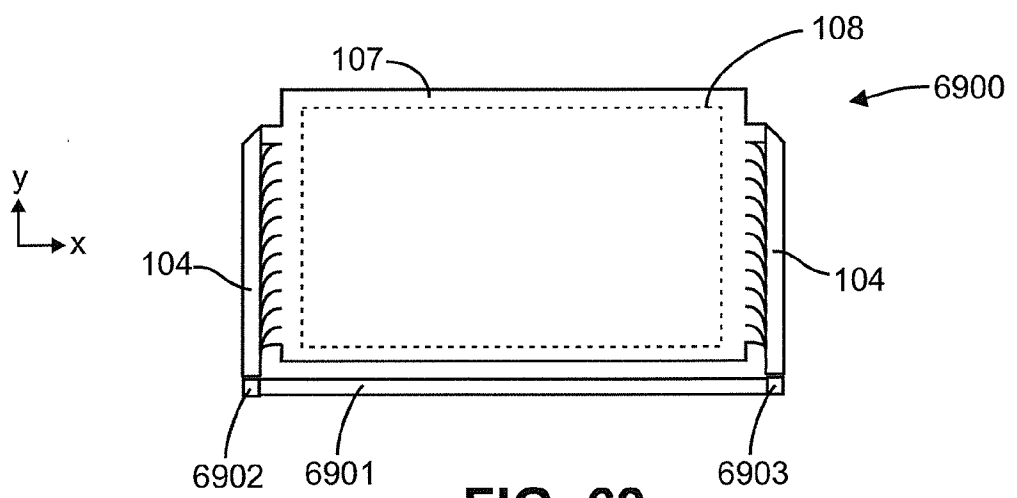


FIG. 69

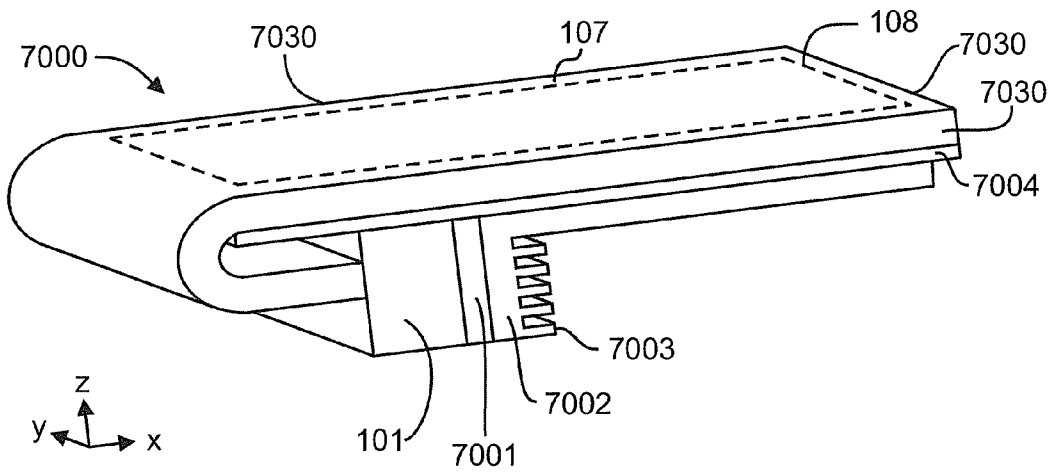


FIG. 70

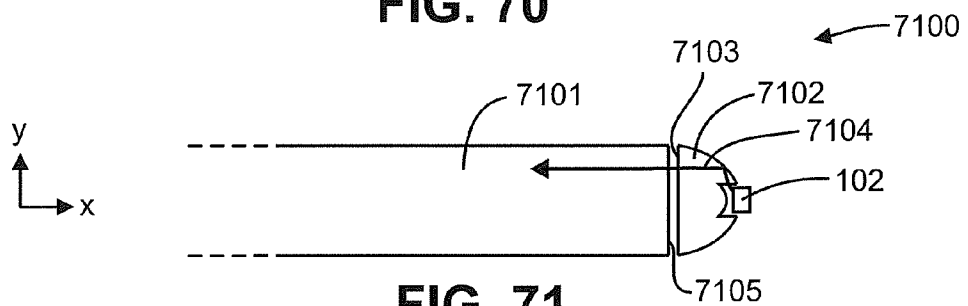


FIG. 71

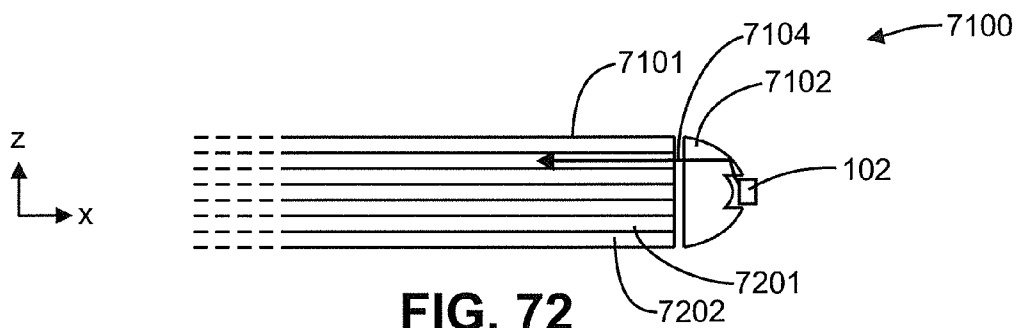


FIG. 72

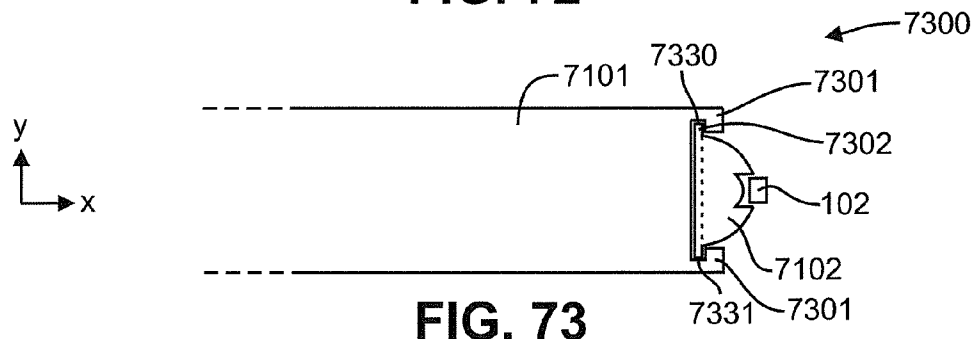
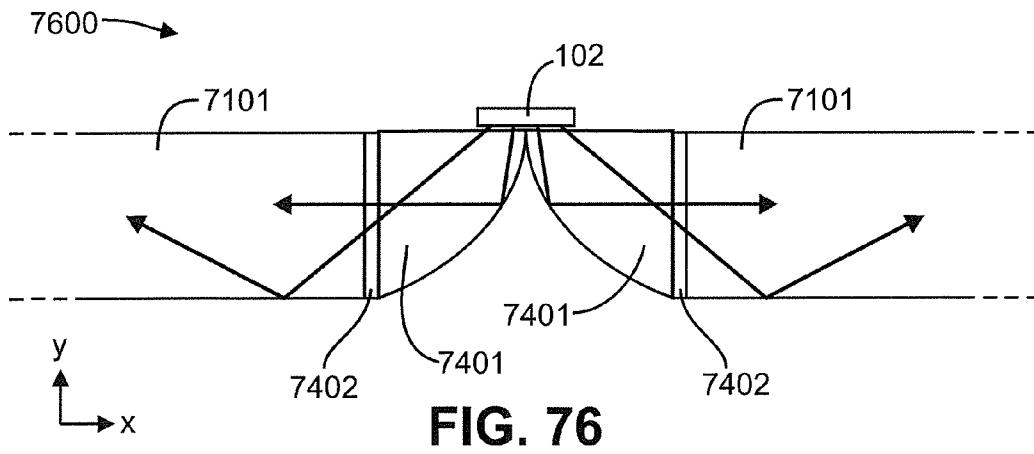
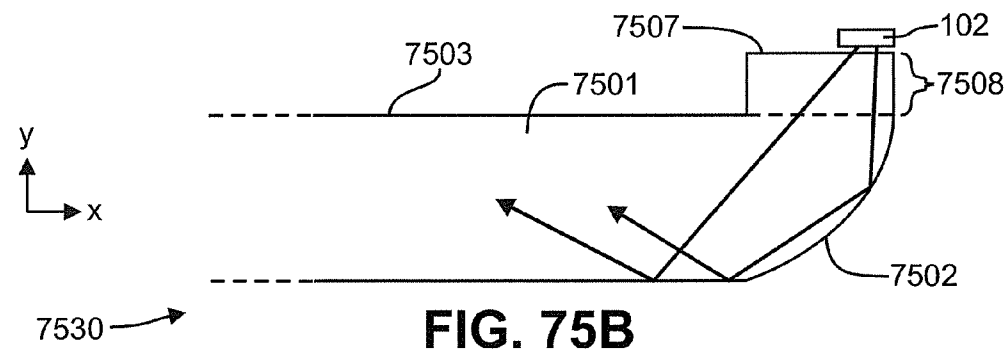
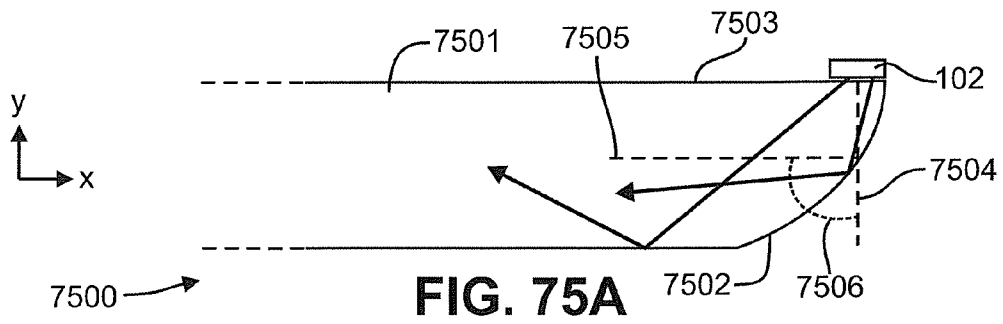
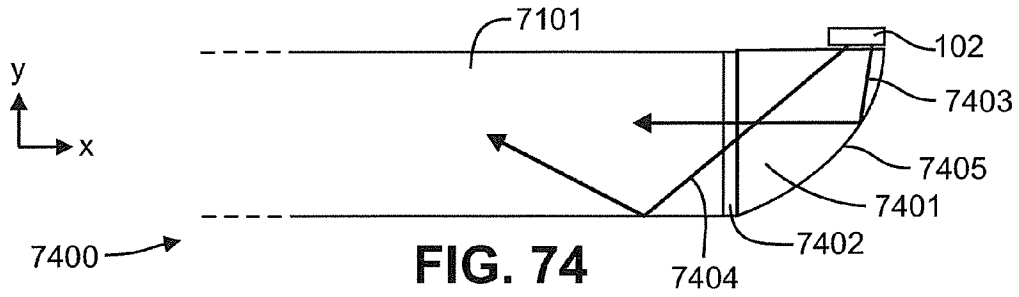
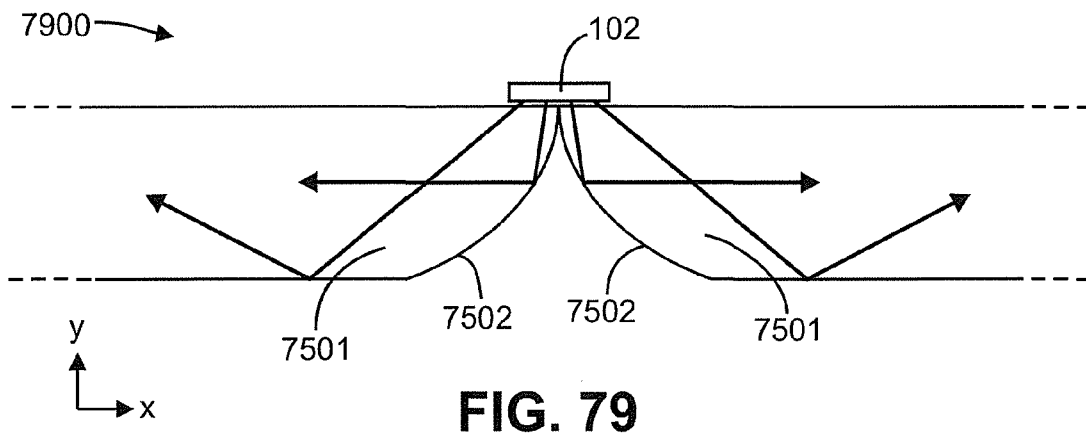
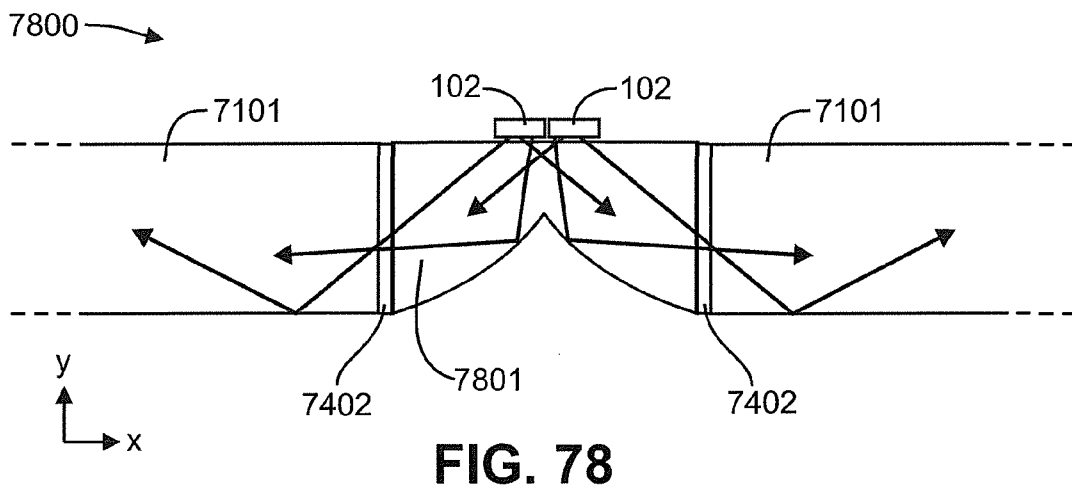
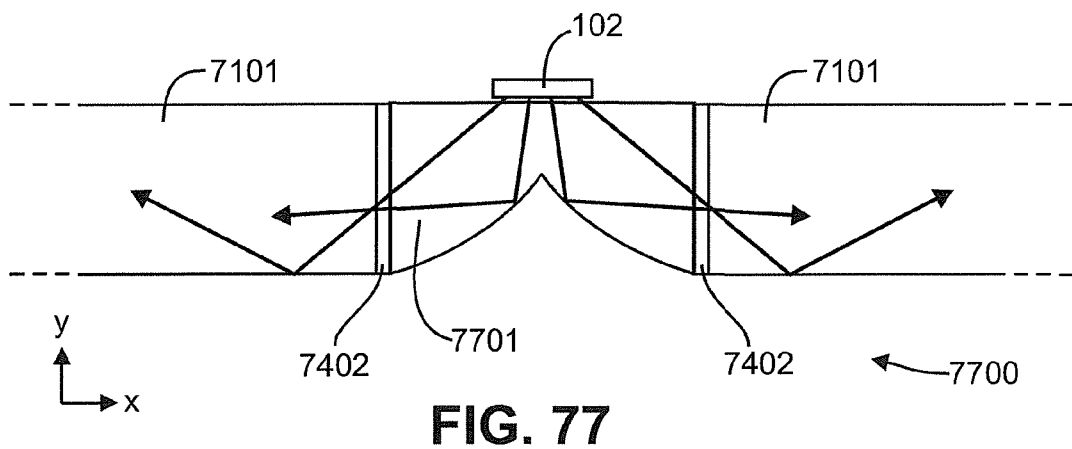
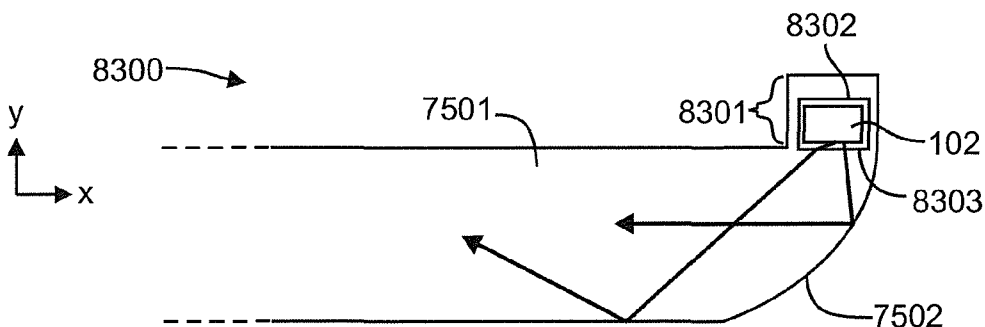
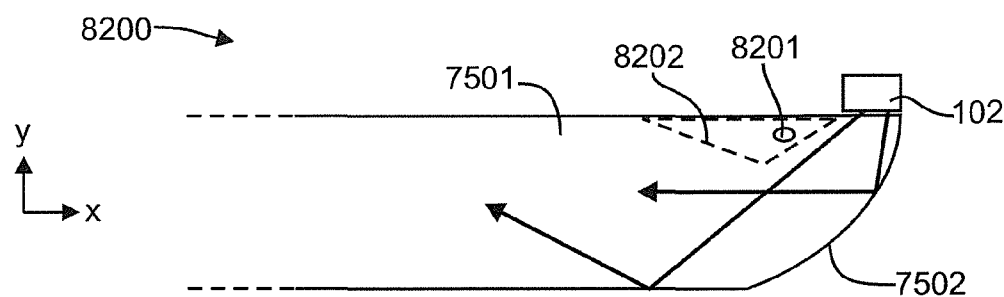
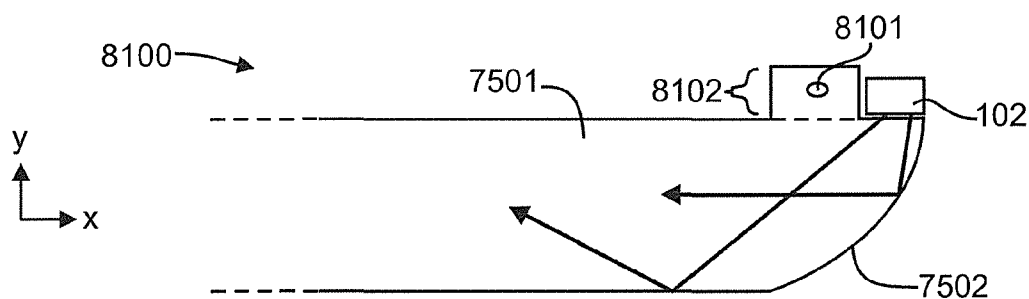
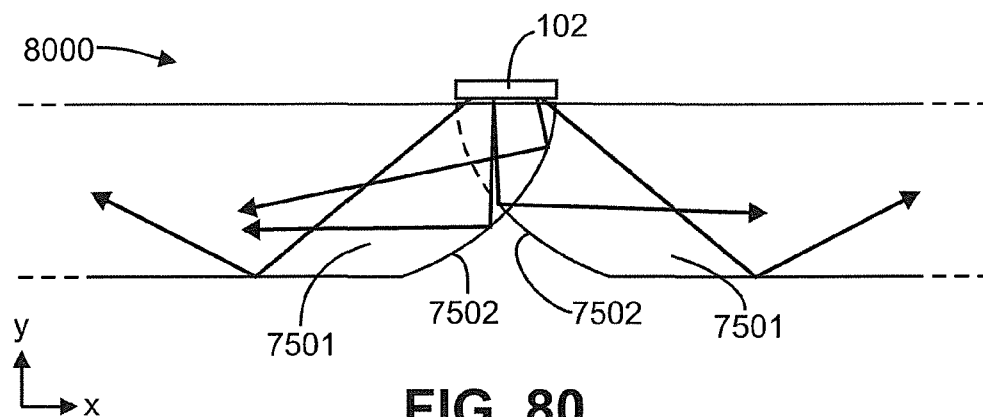


FIG. 73









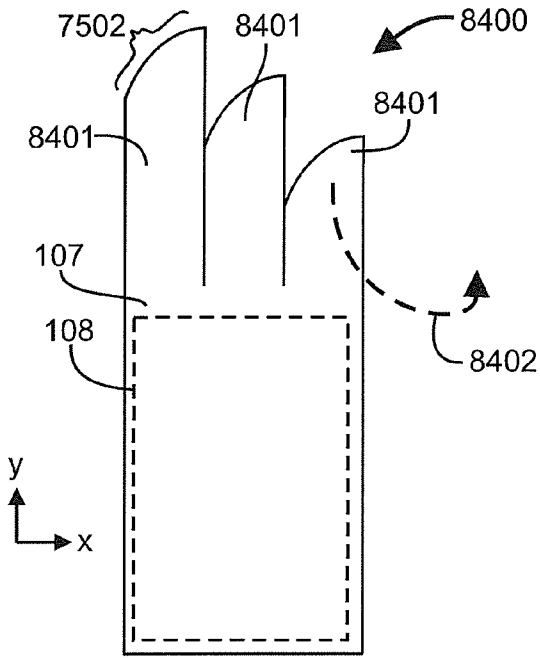


FIG. 84

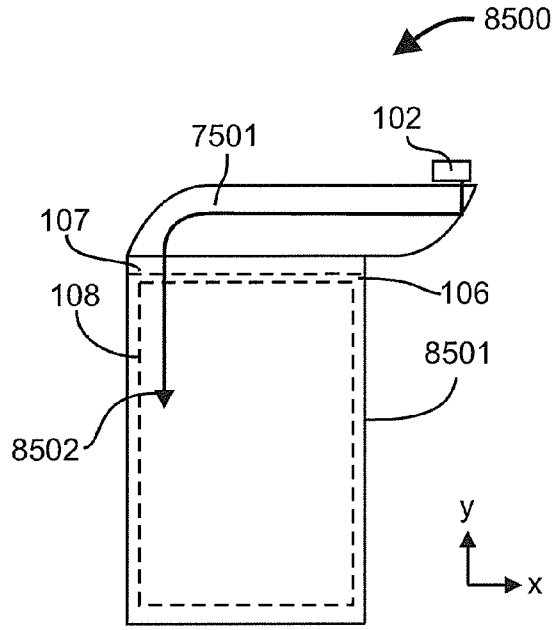


FIG. 85

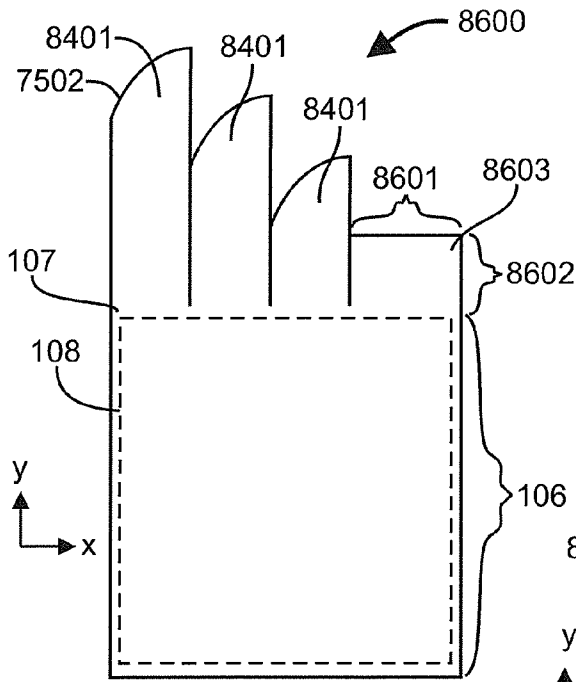


FIG. 86

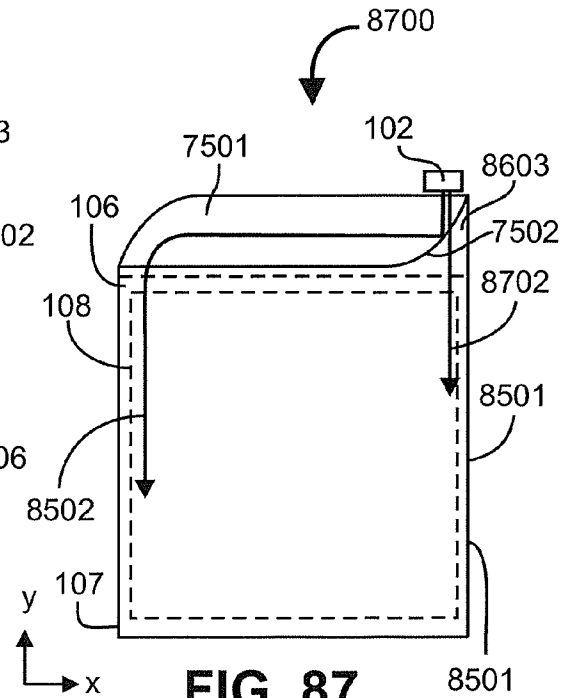
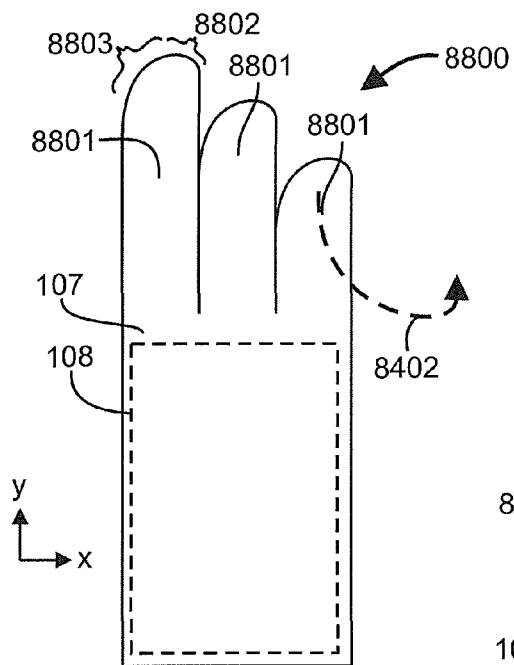
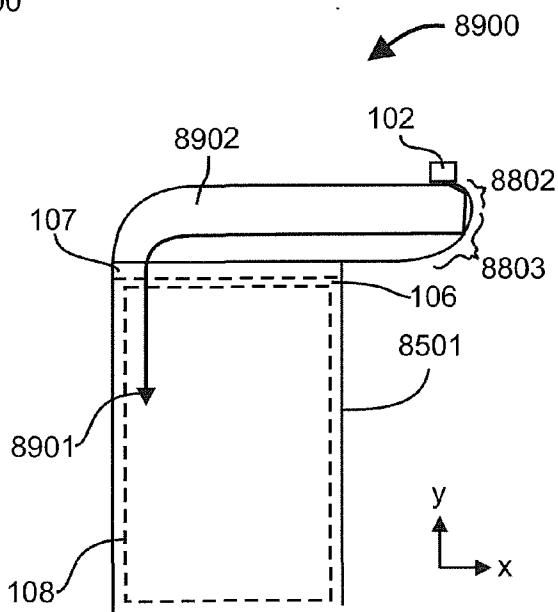


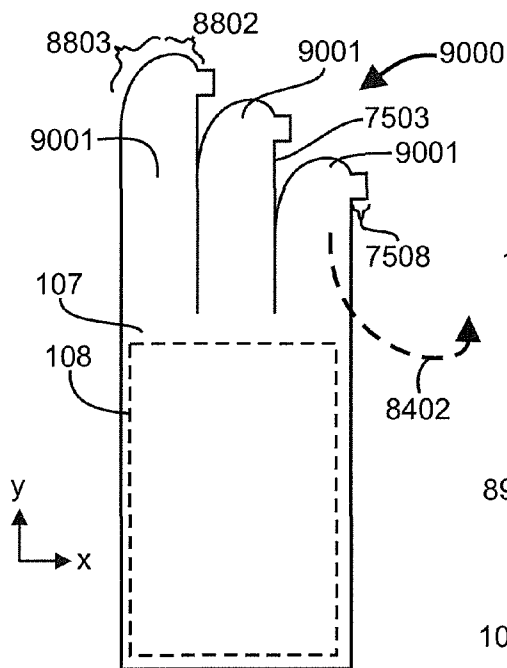
FIG. 87



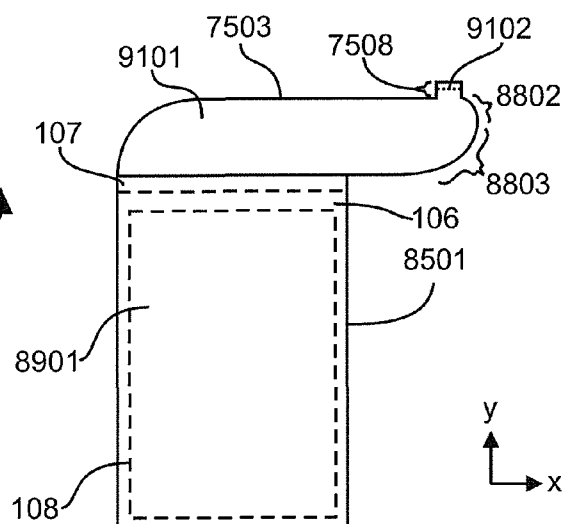
**FIG. 88**



**FIG. 89**



**FIG. 90**



**FIG. 91**

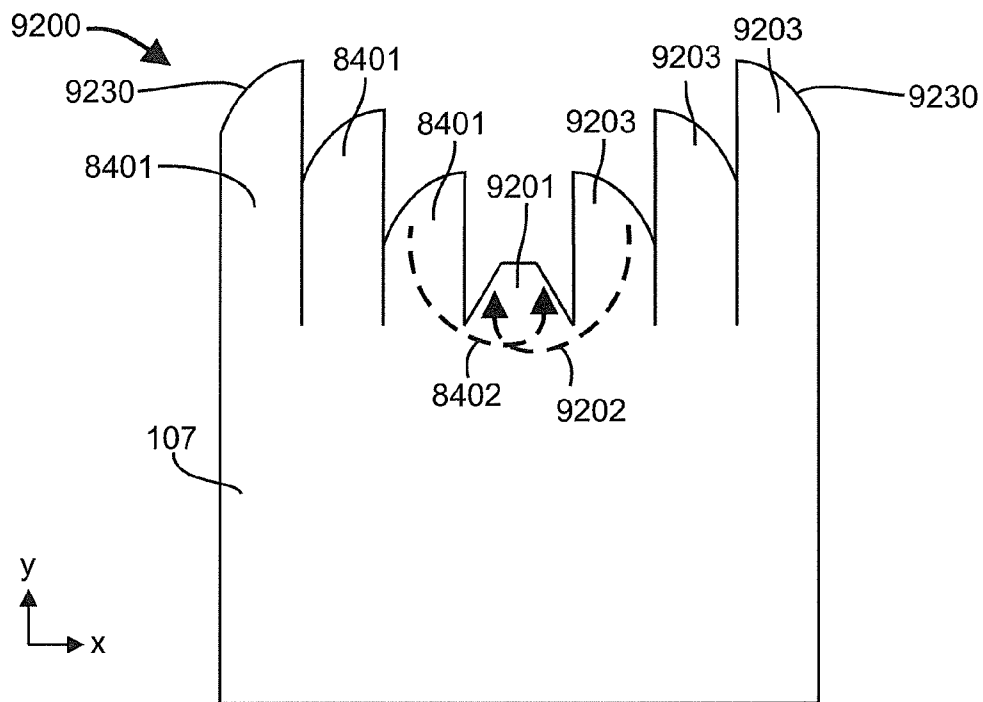


FIG. 92

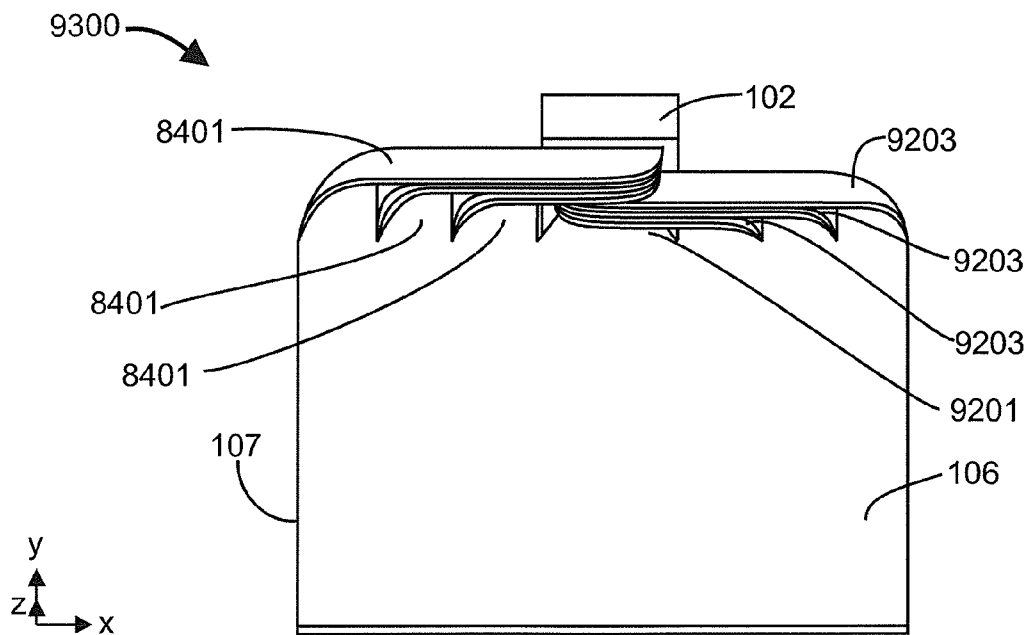


FIG. 93

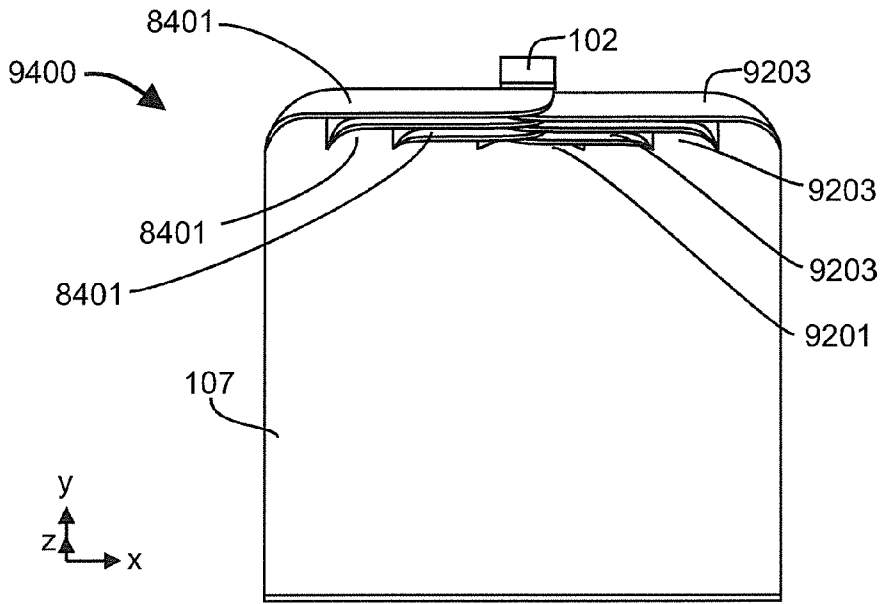


FIG. 94A

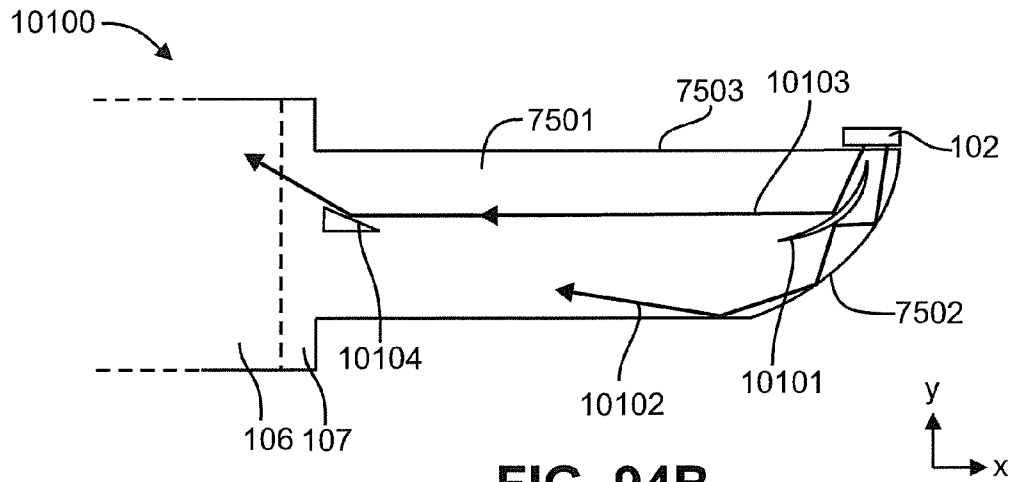
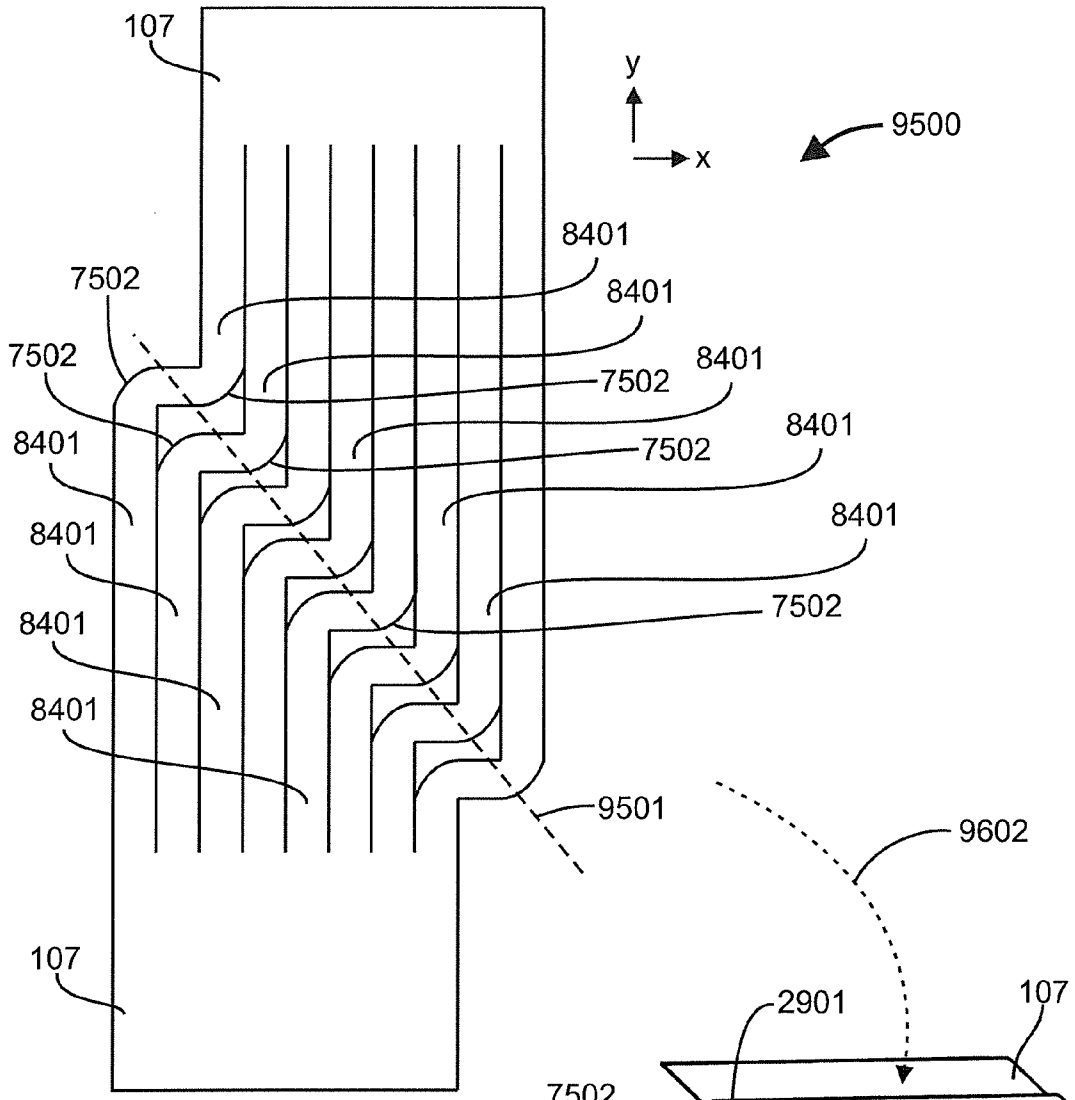
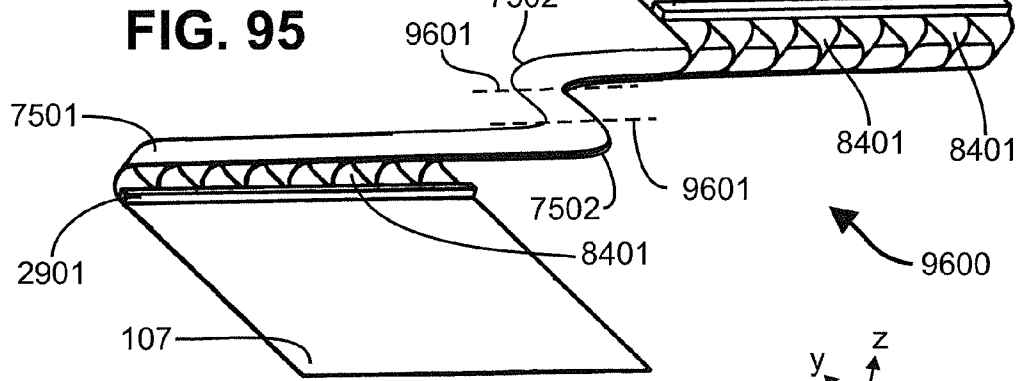


FIG. 94B

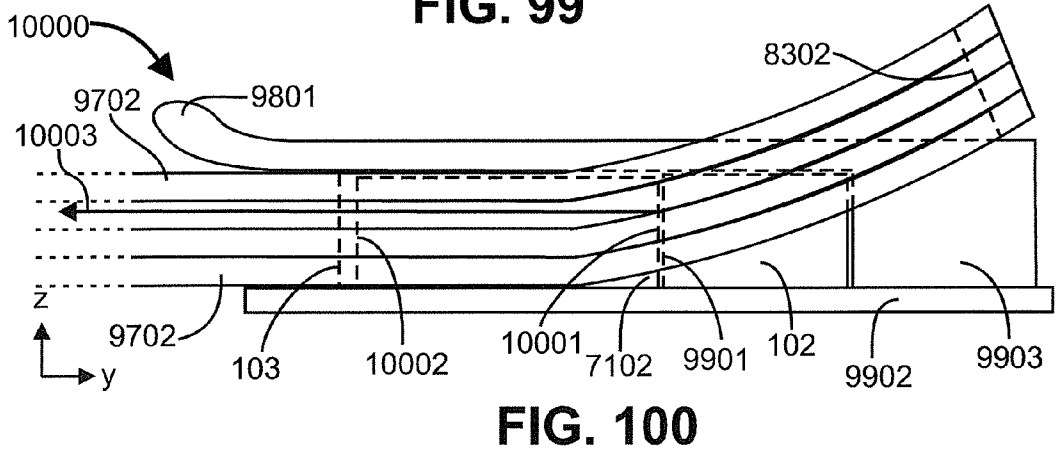
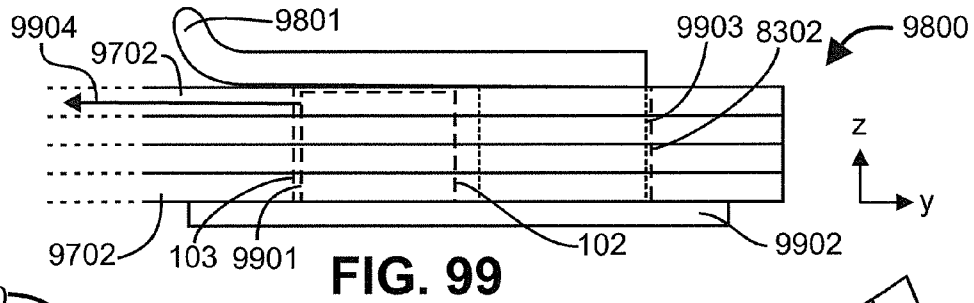
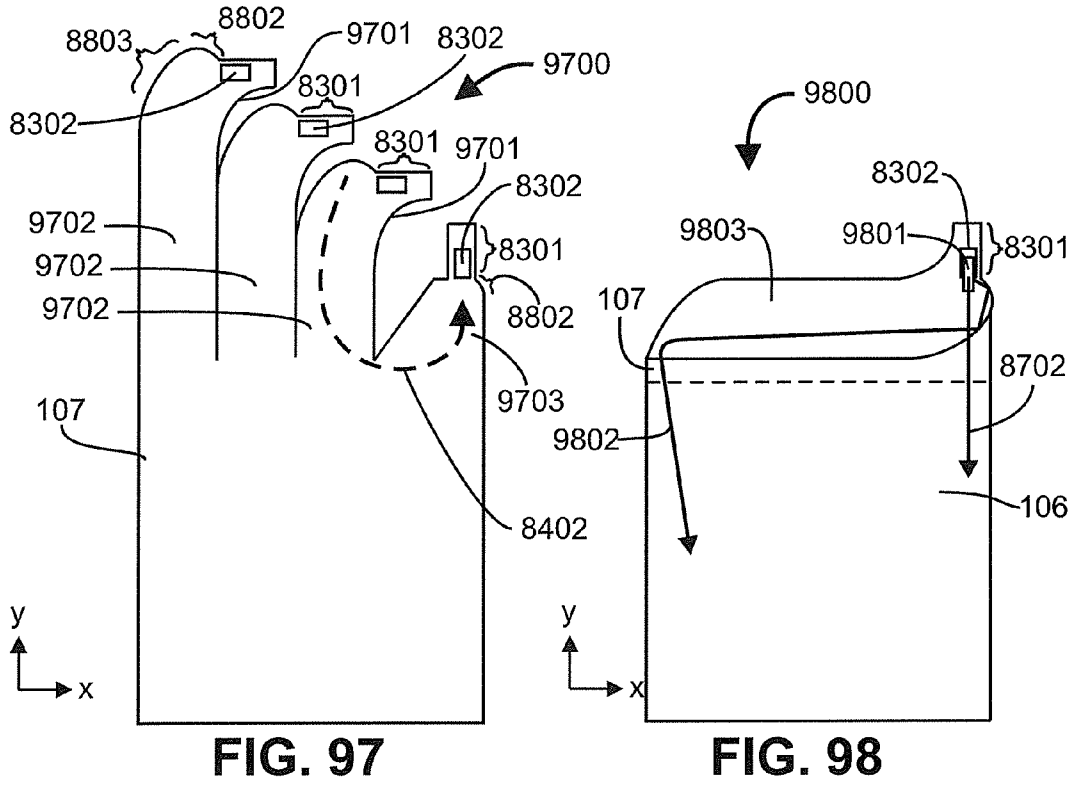


**FIG. 95**



**FIG. 96**





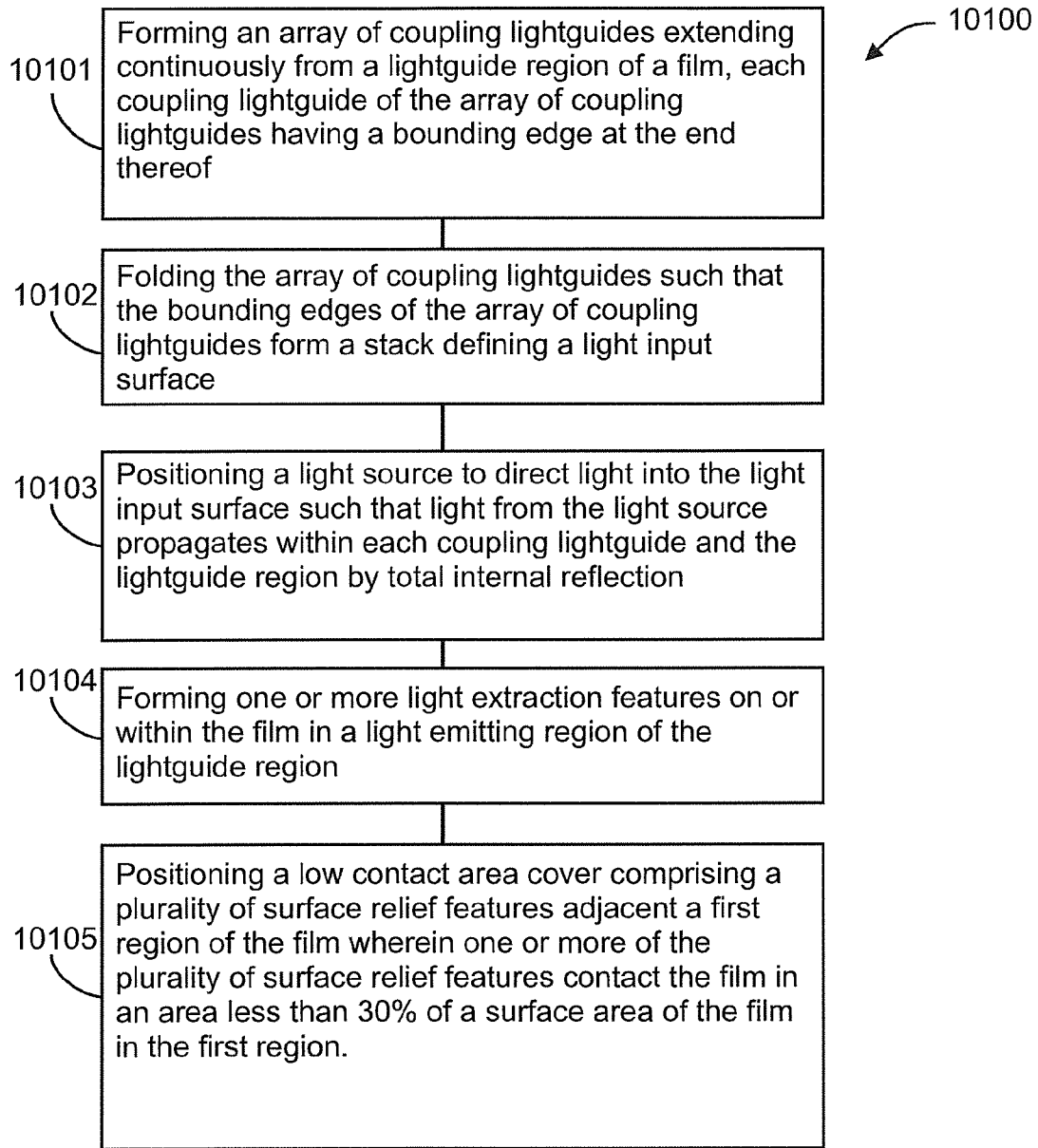
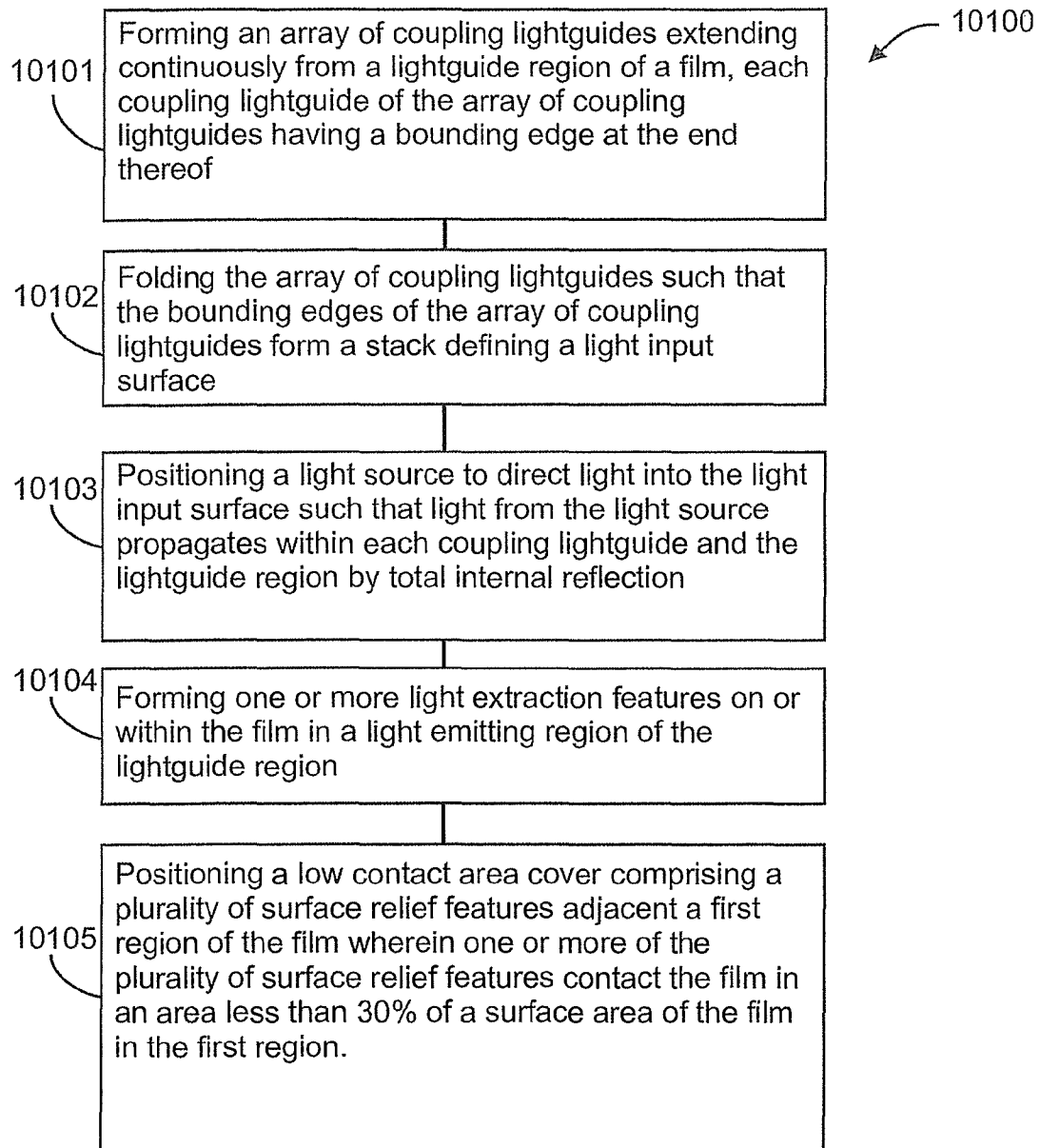


FIG. 101

**FIG. 101**

**ILLUMINATION DEVICE COMPRISING A FILM-BASED LIGHTGUIDE**

**CROSS-REFERENCE TO RELATED APPLICATIONS**

**[0001]** This application claims the benefit of U.S. Provisional Application No. 61/325,266, entitled "Replaceable illuminated signage system for cooler doors," filed Apr. 16, 2010; U.S. Provisional Application No. 61/325,252, entitled "Manufacturing device for ultra-low profile film lightguide," filed Apr. 16, 2010; U.S. Provisional Application No. 61/325,269, entitled "Processing method for optical film lightguide and coupling system," filed Apr. 16, 2010; U.S. Provisional Application No. 61/325,271, entitled "Method and apparatus for aligning lightguides in a coupling system," filed Apr. 16, 2010; U.S. Provisional Application No. 61/325,272, entitled "Center aligned lighting configuration for ultra-thin LED backlight system for LCDs," filed Apr. 16, 2010; U.S. Provisional Application No. 61/325,275, entitled "Low profile battery powered lightguide," filed Apr. 16, 2010; U.S. Provisional Application No. 61/325,277, entitled "Method and apparatus for enhanced LCD backlight," filed Apr. 16, 2010; U.S. Provisional Application No. 61/325,280, entitled "Film coupling system with light propagation modifications," filed Apr. 16, 2010; U.S. Provisional Application No. 61/325,282, entitled "Heatsinking methods for compact film light guide systems," filed Apr. 16, 2010; U.S. Provisional Application No. 61/325,262, entitled "Lamination method for a multi-layer optical lightguide film," filed Apr. 16, 2010; U.S. Provisional Application No. 61/325,270, entitled "Edge-enhancement for film coupling technology," filed Apr. 16, 2010; U.S. Provisional Application No. 61/325,265, entitled "Colored surface illumination by mixing dyes and scattering features into ink," filed on Apr. 16, 2010; U.S. Provisional Application No. 61/347,567, entitled "Light emitting device comprising a film-based lightguide," filed May 24, 2010; U.S. Provisional Application No. 61/363,342, entitled "Film lightguide with light redirecting elements," filed Jul. 12, 2010; U.S. Provisional Application No. 61/368,560, entitled "Light emitting device with optical redundancy," filed Jul. 28, 2010; U.S. Provisional Application No. 61/377,888, entitled "Light emitting device comprising a lightguide film," filed Aug. 27, 2010; U.S. Provisional Application No. 61/381,077, entitled "Light emitting device with externally or internally controlled output," filed Sep. 9, 2010; U.S. Provisional Application No. 61/415,250, entitled "Light emitting device comprising a lightguide film and light turning optical element," filed Nov. 18, 2010; U.S. Provisional Application No. 61/425,328, entitled "Light emitting device comprising a removable and replaceable lightguide," filed Dec. 21, 2010; U.S. Provisional Application No. 61/441,871, entitled "Front illumination device comprising a film-based lightguide," filed Feb. 11, 2011; and U.S. Provisional Application No. 61/450,711, entitled "Illumination device comprising a film-based lightguide," filed on Mar. 9, 2011, the entire contents of each of which are incorporated herein by reference.

**TECHNICAL FIELD**

**[0002]** The subject matter disclosed herein generally relates to light emitting devices such as light fixtures, backlights, light emitting signs, passive displays, and active displays and their components and method of manufacture.

Light emitting devices are needed which are thinner, lighter weight, cheaper to manufacture, and scalable to large sizes.

**BACKGROUND**

**[0003]** Conventionally, in order to reduce the thickness of displays and backlights, edge-lit configurations using rigid lightguides have been used to receive light from the edge and direct it out of a larger area face. These types of light emitting devices are typically housed in relatively thick, rigid frames that do not allow for component or device flexibility and require long lead times for design changes. The volume of these devices remains large and often includes thick or large frames or bezels around the device. The thick lightguides (typically 2 mm and larger) limit the design configurations, production methods, and illumination modes.

**[0004]** The ability to further reduce the thickness and overall volume of these area light emitting devices has been limited by the ability to couple sufficient light flux into a thinner lightguide. Typical LED light sources have a light emitting area dimension of at least 1 mm, and there is often difficulty controlling the light entering, propagating through, and coupled out of a the 2 mm lightguide to meet design requirements. The displays incorporating the 2 mm lightguides are typically limited to small displays such as those with a 33 cm diagonal or less. Many system sizes are thick due to designs that use large light sources and large input coupling optics or methods. Some systems using one lightguide per pixel (such as fiber optic based systems) require a large volume and have low alignment tolerances. In production, thin lightguides have been limited to coatings on rigid wafers for integrated optical components.

**SUMMARY**

**[0005]** In one embodiment, a light emitting device includes a lightguide formed from a film having a thickness not greater than 0.5 millimeters. The lightguide has a lightguide region and an array of coupling lightguides continuous with the lightguide region, wherein each coupling lightguide terminates in a bounding edge and each coupling lightguide is folded such that the bounding edges of the array of coupling lightguides form a stack defining a light input surface. A light source is configured to emit light into the light input surface, such that the light propagates within each coupling lightguide to the lightguide region, with light from each coupling lightguide combining with light from one or more other coupling lightguides of the array of coupling lightguides and totally internally reflecting within the lightguide region. One or more light extraction features are operatively coupled to the lightguide and configured to frustrate the totally internally reflected light within the lightguide region such that the light exits the lightguide in a light emitting region defined within the lightguide region. A first low contact area cover including a surface having a plurality of first surface relief features is adjacent to a first region of the lightguide with one or more of the plurality of surface relief features contacting the lightguide.

**[0006]** In another embodiment, a light emitting device includes a lightguide comprising a film having a thickness not greater than 0.5 millimeters. The lightguide has a lightguide region and an array of coupling lightguides continuous with the lightguide region, wherein each coupling lightguide terminates in a bounding edge and each coupling lightguide is folded such that the bounding edges of the array of coupling

lightguides form a stack defining a light input surface. A light source is configured to emit light into the light input surface, such that the light propagates within each coupling lightguide to the lightguide region, with light from each coupling lightguide combining with light from one or more other coupling lightguides of the array of coupling lightguides and totally internally reflecting within the lightguide region. A plurality of light extraction features are operatively coupled to the lightguide and configured to frustrate the totally internally reflected light within the lightguide region such that the light exits the lightguide in a light emitting region defined within the lightguide region. A low contact area cover having a surface with a plurality of surface relief features is adjacent a first region of the lightguide with one or more of the plurality of surface relief features contacting the lightguide, wherein the low contact area cover is configured to extract out of the lightguide a total of less than 30% of the light propagating within the lightguide.

[0007] In a further embodiment, a method of producing a light emitting device includes forming an array of coupling lightguides extending continuously from a lightguide region of a film, each coupling lightguide of the array of coupling lightguides having a bounding edge at the end thereof; folding the array of coupling lightguides such that the bounding edges of the array of coupling lightguides form a stack defining a light input surface; positioning a light source to direct light into the light input surface such that light from the light source propagates within each coupling lightguide and the lightguide region by total internal reflection; forming one or more light extraction features on or within the film in a light emitting region of the lightguide region; and positioning a low contact area cover comprising a plurality of surface relief features adjacent a first region of the film wherein one or more of the plurality of surface relief features contact the film in an area less than 30% of a surface area of the film in the first region.

#### BRIEF DESCRIPTION OF THE DRAWINGS

[0008] FIG. 1 is a top view of one embodiment of a light emitting device comprising a light input coupler disposed on one side of a lightguide.

[0009] FIG. 2 is a perspective view of one embodiment of a light input coupler with coupling lightguides folded in the  $-y$  direction.

[0010] FIG. 3 is a top view of one embodiment of a light emitting device with three light input couplers on one side of a lightguide.

[0011] FIG. 4 is a top view of one embodiment of a light emitting device with two light input couplers disposed on opposite sides of a lightguide.

[0012] FIG. 5 is a top view of one embodiment of a light emitting device with two light input couplers disposed on the same side of a lightguide wherein the optical axes of the light sources are oriented substantially toward each other.

[0013] FIG. 6 is a cross-sectional side view of one embodiment of a light emitting device with a substantially flat light input surface comprised of flat edges of a coupling lightguide disposed to receive light from a light source.

[0014] FIG. 7 is a cross-sectional side view of one embodiment of a light emitting device with a light input coupler with a light input surface with refractive and flat surface features on the light input surface wherein light totally internal reflects on some outer surfaces similar to a hybrid refractive-TIR Fresnel lens.

[0015] FIG. 8 is a cross-sectional side view of one embodiment of a light emitting device wherein the coupling lightguides and the light input surface are optically coupled to the light source.

[0016] FIG. 9 is a cross-sectional side view of one embodiment of a light emitting device wherein the coupling lightguides are held in place by a sleeve and the edge surfaces are effectively planarized by an optical adhesive or material such as a gel between the ends of the coupling lightguides and the sleeve with a flat outer surface adjacent the light source.

[0017] FIG. 10 is top view of one embodiment of a back-light emitting red, green, and blue light with light input couplers disposed along three sides of the lightguide.

[0018] FIG. 11 is a cross-sectional side view of one embodiment of a light emitting device comprising a light input coupler and lightguide with a reflective optical element disposed adjacent a surface.

[0019] FIG. 12 is a cross-sectional side view of one embodiment of a display illuminated by red, green, and blue lightguides wherein the locations of the pixels of the display correspond to light emitting regions of the lightguide separated by color.

[0020] FIG. 13 is a cross-sectional side view of one embodiment of a color sequential display.

[0021] FIG. 14 is a cross-sectional side view of one embodiment of a spatial display.

[0022] FIG. 15 is a cross-sectional side view of one embodiment of a display comprising a white light source backlight.

[0023] FIG. 16 is a cross-sectional side view of one embodiment of a display comprising a wavelength converting backlight.

[0024] FIG. 17 is a cross-sectional side view of one embodiment of a display with a backlight comprising a plurality of lightguides emitting different colored light in predetermined spatial patterns.

[0025] FIG. 18 is a top view of one embodiment of a light emitting device comprising two light input couplers with light sources on the same edge in the middle region oriented in opposite directions.

[0026] FIG. 19 is a top view of one embodiment of a light emitting device comprising one light input coupler with coupling lightguides folded toward the  $-y$  direction and then folded in the  $+z$  direction toward a single light source.

[0027] FIG. 20 is a cross-sectional side view of one embodiment of a display optically coupled to a film lightguide.

[0028] FIG. 21 is a cross-sectional side view of a region of one embodiment of a light emitting device comprising a stacked array of coupling lightguides with core regions comprising vertical light turning optical edges.

[0029] FIG. 22 is a cross-sectional side view of a region of one embodiment of a light emitting device comprising a stacked array of coupling lightguides with core regions comprising vertical light turning optical edges and vertical light collimating optical edges.

[0030] FIG. 23 is a cross-sectional side view of a region of one embodiment of a light emitting device comprising a stacked array of coupling lightguides with a cavity and core regions comprising vertical light turning optical edges and light collimating optical edges

[0031] FIG. 24 is a perspective view of one embodiment of a light emitting device wherein the coupling lightguides are optically coupled to a surface of a lightguide.

[0032] FIG. 25 is a cross-sectional side view of one embodiment of a light emitting device comprising a light input coupler disposed adjacent a light source with a collimating optical element.

[0033] FIG. 26 is a perspective view of one embodiment of a light emitting device comprising light coupling lightguides and a light source oriented at an angle to the x, y, and z axis.

[0034] FIG. 27 is a top view of one embodiment of a film-based lightguide comprising an array of coupling lightguides wherein each coupling lightguide further comprises a sub-array of coupling lightguides.

[0035] FIG. 28 is a perspective top view of one embodiment of a light emitting device comprising the film-based lightguide of FIG. 27 wherein the coupling lightguides are folded.

[0036] FIG. 29A is a perspective view of one embodiment of a method of manufacturing a light input coupler comprising an array of coupling lightguides that are substantially within the same plane as the lightguide and the coupling lightguides are regions of a light transmitting film comprising two linear fold regions.

[0037] FIG. 29B is a perspective view of one embodiment for manufacturing an input coupler and lightguide comprising translating one of the linear fold regions of FIG. 29A.

[0038] FIG. 29C is a perspective view of one embodiment for manufacturing an input coupler and lightguide comprising translating one of the linear fold regions of FIG. 29B.

[0039] FIG. 29D is a perspective view of one embodiment for manufacturing an input coupler and lightguide comprising translating one of the linear fold regions of FIG. 29C.

[0040] FIG. 29E is a perspective view of one embodiment for manufacturing an input coupler and lightguide comprising translating one of the linear fold regions of FIG. 29D.

[0041] FIG. 30 is a cross-sectional side view of a region of one embodiment of a reflective display comprising a backlight disposed between the light modulating pixels and the reflective element.

[0042] FIG. 31 is a top view of one embodiment of an input coupler and lightguide wherein the array of coupling lightguides has non-parallel regions.

[0043] FIG. 32 is a perspective top view of a portion of the input coupler and lightguide of FIG. 31 with the coupling lightguides folded.

[0044] FIG. 33 is a perspective view of one embodiment of a light input coupler and lightguide comprising a relative position maintaining element disposed proximate a linear fold region.

[0045] FIG. 34 is a top view of one embodiment of a light input coupler and lightguide comprising bundles of coupling lightguides that are folded twice and recombined in a plane substantially parallel to the film-based lightguide.

[0046] FIG. 35A is a top view of one embodiment of a light input coupler and lightguide comprising bundles of coupling lightguides that are folded upwards (+z direction) and combined in a stack that is substantially perpendicular to the plane of the film-based lightguide.

[0047] FIG. 35B is a magnification of the region of FIG. 35A comprising the upward folds of the coupling lightguides.

[0048] FIG. 36 is a perspective view of a region of one embodiment of a light emitting device comprising a stacked array of coupling lightguides disposed within an alignment cavity of a thermal transfer element.

[0049] FIG. 37 is a side view of a region of one embodiment of a light emitting device comprising a stacked array of cou-

pling lightguides disposed within an alignment guide with an extended alignment arm and an alignment cavity.

[0050] FIG. 38 is a perspective view of one embodiment of a light emitting device wherein the coupling lightguides are optically coupled to the edge of a lightguide.

[0051] FIG. 39 is a top view of one embodiment of a light emitting device with an unfolded lightguide comprising fold regions.

[0052] FIG. 40 is a perspective view of the light emitting device of FIG. 39 with the lightguide being folded.

[0053] FIG. 41 is a perspective view of the light emitting device of FIG. 39 folded with the lightguide comprising overlapping folded regions.

[0054] FIG. 42 is an elevated view of one embodiment of a film-based lightguide comprising a first light emitting region disposed to receive light from a first set of coupling lightguides and a second light emitting region disposed to receive light from a second set of coupling lightguides.

[0055] FIG. 43 is an elevated view of the film-based lightguide of FIG. 42 with the coupling lightguides folded.

[0056] FIG. 44 is a cross-sectional side view of one embodiment of a light emitting device with optical redundancy comprising two lightguides stacked in the z direction.

[0057] FIG. 45 is a cross-sectional side view of one embodiment of a light emitting device with a first light source and a second light source thermally coupled to a first thermal transfer element.

[0058] FIG. 46 is a top view of one embodiment of a light emitting device comprising coupling lightguides with a plurality of first reflective surface edges and a plurality of second reflective surface edges within each coupling lightguide.

[0059] FIG. 47 is an enlarged perspective view of the input end of the coupling lightguides of FIG. 46.

[0060] FIG. 48 is a cross-sectional side view of the coupling lightguides and light source of one embodiment of a light emitting device comprising index matching regions disposed between the core regions of the coupling lightguides.

[0061] FIG. 49 is a top view of one embodiment of a film-based lightguide comprising an array of tapered coupling lightguides.

[0062] FIG. 50 is a perspective top view of a light emitting device of one embodiment comprising the film-based lightguide of FIG. 49 and a light source.

[0063] FIG. 51 is a perspective top view of a light emitting device comprising the light emitting device of FIG. 50 wherein the tapered coupling lightguides and light source are folded behind the light emitting region.

[0064] FIG. 52 is a top view of one embodiment of a film-based lightguide comprising an array of angled, tapered coupling lightguides.

[0065] FIG. 53 is a perspective top view of a light emitting device of one embodiment comprising the film-based lightguide of FIG. 52 with the coupling lightguides folded and the light source not extending past the lateral sides of the film-based lightguide.

[0066] FIG. 54 is a top view of one embodiment of a film-based lightguide comprising a first and second array of angled, tapered coupling lightguides.

[0067] FIG. 55 is a perspective top view of a light emitting device of one embodiment comprising the film-based lightguide of FIG. 54.

[0068] FIG. 56 is a top view of one embodiment of a light emitting device comprising a lightguide, coupling lightguides and a curved mirror.

[0069] FIG. 57 is a top view of one embodiment of a light emitting device comprising a lightguide, coupling lightguides, and a curved mirror with two curved regions.

[0070] FIG. 58 is a top view of one embodiment of a light emitting device comprising a lightguide and two light input couplers comprising coupling lightguides that have been folded behind the light emitting region of the light emitting device.

[0071] FIG. 59 is a top view of one embodiment of a light emitting device comprising a lightguide with coupling lightguides on two orthogonal sides.

[0072] FIG. 60 is a cross-sectional side view of a portion of a light emitting device of one embodiment comprising a lightguide and a light input coupler wherein a low contact area cover is physically coupled to the light input coupler.

[0073] FIG. 61 shows an enlarged portion of FIG. 60 of the region of the lightguide in contact with the low contact area cover.

[0074] FIG. 62 is a side view of a portion of a light emitting device of one embodiment comprising a lightguide and a light input coupler protected by a low contact area cover.

[0075] FIG. 63A is a perspective view of a portion of a film-based lightguide of one embodiment comprising coupling lightguides comprising two flanges on either side of the end region of the coupling lightguides.

[0076] FIG. 63B is a perspective view of one embodiment of a light emitting device comprising film-based lightguide and a light reflecting optical element that is also a light collimating optical element and light blocking element.

[0077] FIG. 64 is a perspective view of one embodiment of a film-based lightguide comprising a light input coupler and lightguide comprising a relative position maintaining element disposed proximal to a linear fold region.

[0078] FIG. 65 is a perspective view of one embodiment of relative position maintaining element comprising rounded angled edge surfaces.

[0079] FIG. 66 is a perspective view of one embodiment of relative position maintaining element comprising rounded angled edge surfaces and a rounded tip.

[0080] FIG. 67 is a perspective view of a portion of a film-based lightguide of one embodiment comprising coupling lightguides comprising two flanges on either side of the end region of the coupling lightguides.

[0081] FIG. 68 is a perspective view of a portion of the light emitting device of the embodiment illustrated in FIG. 62.

[0082] FIG. 69 is a top view of one embodiment of a light emitting device with two light input couplers, a first light source, and a second light source disposed on opposite sides of a lightguide.

[0083] FIG. 70 is a perspective view of one embodiment of a light emitting device comprising a lightguide, a light input coupler, and a light reflecting film disposed between the light input coupler and the light emitting region.

[0084] FIG. 71 is a top view of a region of one embodiment of a light emitting device comprising a stack of coupling lightguides disposed to receive light from a light collimating optical element and a light source.

[0085] FIG. 72 is a cross-sectional side view of the embodiment shown in FIG. 71.

[0086] FIG. 73 is a top view of a region of one embodiment of a light emitting device comprising a stack of coupling lightguides physically coupled to a collimating optical element.

[0087] FIG. 74 is a top view of a region of one embodiment of a light emitting device comprising a light source adjacent a light turning optical element optically coupled to a stack of coupling lightguides.

[0088] FIG. 75A is a top view of a region of one embodiment of a light emitting device comprising a light source disposed adjacent a lateral edge of a stack of coupling lightguides with light turning optical edges.

[0089] FIG. 75B is a top view of a region of one embodiment of a light emitting device comprising a light source disposed adjacent the light input surface edge of the extended region of a stack of coupling lightguides with light turning optical edges.

[0090] FIG. 76 is a top of a region of one embodiment of a light emitting device comprising a light source disposed to couple light into two light turning optical elements that are optically coupled to coupling lightguides using index matching adhesive.

[0091] FIG. 77 is a top view of a region of one embodiment of a light emitting device comprising a light source disposed to couple light into a bi-directional light turning optical element optically coupled to two stacks of coupling lightguides.

[0092] FIG. 78 is a top view of a region of one embodiment of a light emitting device comprising two light sources disposed to couple light into a bi-directional light turning optical element optically coupled to two stacks of coupling lightguides.

[0093] FIG. 79 is a top view of a region of one embodiment of a light emitting device comprising a light source disposed to couple light into two stacks of coupling lightguides with light turning optical edges.

[0094] FIG. 80 is a top view of a region of one embodiment of a light emitting device comprising a light source disposed to couple light into two overlapping stacks of coupling lightguides with light turning optical edges.

[0095] FIG. 81 is a top view of a region of one embodiment of a light emitting device comprising a light source disposed to couple light into a stack of coupling lightguides with light turning optical edges wherein the coupling lightguides have tabs with tab alignment holes.

[0096] FIG. 82 is a top view of a region of one embodiment of a light emitting device comprising a light source disposed to couple light into a stack of coupling lightguides with light turning optical edges and registration holes in a low light flux density region.

[0097] FIG. 83 is a top view of a region of one embodiment of a light emitting device comprising a light source disposed to couple light into a stack of coupling lightguides with a light source overlay tab region for light source registration.

[0098] FIG. 84 is a top view of one embodiment of a lightguide comprising coupling lightguides with light turning optical edges.

[0099] FIG. 85 is a top view of one embodiment of a light emitting device comprising the lightguide of FIG. 84 with the coupling lightguides folded such that they extend past a lateral edge.

[0100] FIG. 86 is a top view of one embodiment of a lightguide comprising a non-folded coupling lightguide.

[0101] FIG. 87 is a top view of one embodiment of a light emitting device comprising the lightguide of FIG. 86 wherein the coupling lightguides are folded.

[0102] FIG. 88 is a top view of one embodiment of a lightguide comprising coupling lightguides with light collimating optical edge regions and light turning optical edge regions.

[0103] FIG. 89 is a top view of one embodiment of a light emitting device comprising the film-based lightguide of FIG. 88 wherein coupling lightguides are folded.

[0104] FIG. 90 is a top view of one embodiment of a lightguide comprising coupling lightguides with extended regions.

[0105] FIG. 91 is a top view of one embodiment of the lightguide of FIG. 90 with the coupling lightguides folded.

[0106] FIG. 92 is a top view of one embodiment of a lightguide comprising coupling lightguides with light turning optical edges turning light in two directions and a non-folded coupling lightguide.

[0107] FIG. 93 is a perspective top view of one embodiment of a light emitting device comprising the film-based lightguide of FIG. 92 with the coupling lightguides from each side grouped together.

[0108] FIG. 94A is a perspective top view of one embodiment of a light emitting device comprising the film-based lightguide of FIG. 92 with the coupling lightguides from the sides interleaved in a stack.

[0109] FIG. 94B is a cross-sectional side view of a region of one embodiment of a light emitting device comprising coupling lightguides with interior light directing edges.

[0110] FIG. 95 is a top view of one embodiment of a film-based lightguide comprising coupling lightguides with light turning optical edges extended in shapes inverted along a first direction.

[0111] FIG. 96 is a perspective view of a lightguide comprising an embodiment of the lightguide of FIG. 95 folded to form two stacks of coupling lightguides.

[0112] FIG. 97 is a top view of one embodiment of a film-based lightguide comprising coupling lightguides with light turning optical edges, light collimating optical edges, and light source overlay tab regions comprising alignment cavities.

[0113] FIG. 98 is a top view of one embodiment of a light emitting device comprising the film-based lightguide of FIG. 97 folded to a stack of coupling lightguides positioned over a light source and guided in the z direction by an alignment guide.

[0114] FIG. 99 is a side view of the light emitting device embodiment of FIG. 98 in the region near the light source.

[0115] FIG. 100 is a side view of a region of one embodiment of a light emitting device with coupling lightguides with alignment cavities that do not extend to fit completely over the alignment guide.

[0116] FIG. 101 is a block diagram of one embodiment of a method of producing a light emitting device.

DETAILED DESCRIPTION OF THE INVENTION

[0117] The features and other details of several embodiments will now be more particularly described. It will be understood that particular embodiments described herein are shown by way of illustration and not as limitations. The principal features can be employed in various embodiments without departing from the scope of any particular embodiment. All parts and percentages are by weight unless otherwise specified.

Definitions

[0118] “Electroluminescent sign” is defined herein as a means for displaying information wherein the legend, message, image or indicia thereon is formed by or made more

apparent by an electrically excitable source of illumination. This includes illuminated cards, transparencies, pictures, printed graphics, fluorescent signs, neon signs, channel letter signs, light box signs, bus-stop signs, illuminated advertising signs, EL (electroluminescent) signs, LED signs, edge-lit signs, advertising displays, liquid crystal displays, electrophoretic displays, point of purchase displays, directional signs, illuminated pictures, and other information display signs. Electroluminescent signs can be self-luminous (emissive), back-illuminated (back-lit), front illuminated (front-lit), edge-illuminated (edge-lit), waveguide-illuminated or other configurations wherein light from a light source is directed through static or dynamic means for creating images or indicia.

[0119] “Optically coupled” as defined herein refers to coupling of two or more regions or layers such that the luminance of light passing from one region to the other is not substantially reduced by Fresnel interfacial reflection losses due to differences in refractive indices between the regions. “Optical coupling” methods include methods of coupling wherein the two regions coupled together have similar refractive indices or using an optical adhesive with a refractive index substantially near or between the refractive index of the regions or layers. Examples of “optical coupling” include, without limitation, lamination using an index-matched optical adhesive, coating a region or layer onto another region or layer, or hot lamination using applied pressure to join two or more layers or regions that have substantially close refractive indices. Thermal transferring is another method that can be used to optically couple two regions of material. Forming, altering, printing, or applying a material on the surface of another material are other examples of optically coupling two materials. “Optically coupled” also includes forming, adding, or removing regions, features, or materials of a first refractive index within a volume of a material of a second refractive index such that light travels from the first material to the second material. For example, a white light scattering ink (such as titanium dioxide in a methacrylate, vinyl, or polyurethane based binder) may be optically coupled to a surface of a polycarbonate or silicone film by inkjet printing the ink onto the surface. Similarly, a light scattering material such as titanium dioxide in a solvent applied to a surface may allow the light scattering material to penetrate or adhere in close physical contact with the surface of a polycarbonate or silicone film such that it is optically coupled to the film surface or volume.

[0120] “Light guide” or “waveguide” refers to a region bounded by the condition that light rays propagating at an angle that is larger than the critical angle will reflect and remain within the region. In a light guide, the light will reflect or TIR (totally internally reflect) if the angle ( $\alpha$ ) satisfies the condition

$$\alpha > \sin^{-1}\left(\frac{n_2}{n_1}\right),$$

[0121] where  $n_1$  is the refractive index of the medium inside the light guide and  $n_2$  is the refractive index of the medium outside the light guide. Typically,  $n_2$  is air with a refractive index of  $n \approx 1$ , however, high and low refractive index materials can be used to achieve light guide regions. The light guide may comprise reflective components such as reflective films, aluminized coatings, surface relief features, and other com-



ponents that can re-direct or reflect light. The light guide may also contain non-scattering regions such as substrates. Light can be incident on a lightguide region from the sides or below and surface relief features or light scattering domains, phases or elements within the region can direct light into larger angles such that it totally internally reflects or into smaller angles such that the light escapes the light guide. The light guide does not need to be optically coupled to all of its components to be considered as a light guide. Light may enter from any face (or interfacial refractive index boundary) of the waveguide region and may totally internally reflect from the same or another refractive index interfacial boundary. A region can be functional as a waveguide or lightguide for purposes illustrated herein as long as the thickness is larger than the wavelength of light of interest. For example, a light guide may be a 5 micron region or layer of a film or it may be a 3 millimeter sheet comprising a light transmitting polymer.

**[0122]** “In contact” and “disposed on” are used generally to describe that two items are adjacent one another such that the whole item can function as desired. This may mean that additional materials can be present between the adjacent items, as long as the item can function as desired.

**[0123]** A “film” as used herein refers to a thin extended region, membrane, or layer of material.

**[0124]** A “bend” as used herein refers to a deformation or transformation in shape by the movement of a first region of an element relative to a second region, for example. Examples of bends include the bending of a clothes rod when heavy clothes are hung on the rod or rolling up a paper document to fit it into a cylindrical mailing tube. A “fold” as used herein is a type of bend and refers to the bend or lay of one region of an element onto a second region such that the first region covers at least a portion of the second region. An example of a fold includes bending a letter and forming creases to place it in an envelope. A fold does not require that all regions of the element overlap. A bend or fold may be a change in the direction along a first direction along a surface of the object. A fold or bend may or may not have creases and the bend or fold may occur in one or more directions or planes such as 90 degrees or 45 degrees. A bend or fold may be lateral, vertical, torsional, or a combination thereof.

#### Light Emitting Device

**[0125]** In one embodiment, a light emitting device comprises a first light source, a light input coupler, a light mixing region, and a lightguide comprising a light emitting region with a light extraction feature. In one embodiment, the first light source has a first light source emitting surface, the light input coupler comprises an input surface disposed to receive light from the first light source and transmit the light through the light input coupler by total internal reflection through a plurality of coupling lightguides. In this embodiment, light exiting the coupling lightguides is re-combined and mixed in a light mixing region and directed through total internal reflection within a lightguide or lightguide region. Within the lightguide, a portion of incident light is directed within the light extracting region by light extracting features into a condition whereupon the angle of light is less than the critical angle for the lightguide and the directed light exits the lightguide through the lightguide light emitting surface.

**[0126]** In a further embodiment, the lightguide is a film with light extracting features below a light emitting device output surface within the film and film is separated into coupling lightguide strips which are folded such that they form a

light input coupler with a first input surface formed by the collection of edges of the coupling lightguides.

**[0127]** In one embodiment, the light emitting device has an optical axis defined herein as the direction of peak luminous intensity for light emitting from the light emitting surface or region of the device for devices with output profiles with one peak. For optical output profiles with more than one peak and the output is symmetrical about an axis, such as with a “batwing” type profile, the optical axis of the light emitting device is the axis of symmetry of the light output. In light emitting devices with angular luminous intensity optical output profiles with more than one peak which are not symmetrical about an axis, the light emitting device optical axis is the angular weighted average of the luminous intensity output. For non-planar output surfaces, the light emitting device optical axis is evaluated in two orthogonal output planes and may be a constant direction in a first output plane and at a varying angle in a second output plane orthogonal to the first output plane. For example, light emitting from a cylindrical light emitting surface may have a peak angular luminous intensity (thus light emitting device optical axis) in a light output plane that does not comprise the curved output surface profile and the angle of luminous intensity could be substantially constant about a rotational axis around the cylindrical surface in an output plane comprising the curved surface profile, and thus the peak angular intensity is a range of angles. When the light emitting device has a light emitting device optical axis in a range of angles, the optical axis of the light emitting device comprises the range of angles or an angle chosen within the range. The optical axis of a lens or element is the direction of which there is some degree of rotational symmetry in at least one plane and as used herein corresponds to the mechanical axis. The optical axis of the region, surface, area, or collection of lenses or elements may differ from the optical axis of the lens or element, and as used herein is dependent on the incident light angular and spatial profile, such as in the case of off-axis illumination of a lens or element.

#### Light Input Coupler

**[0128]** In one embodiment, a light input coupler comprises a plurality of coupling lightguides disposed to receive light emitting from light source and channel the light into a lightguide. In one embodiment, the plurality of coupling lightguides are strips cut from a lightguide film such that they remain un-cut on at least one edge but can be rotated or positioned (or translated) substantially independently from the lightguide to couple light through at least one edge or surface of the strip. In another embodiment, the plurality of coupling lightguides are not cut from the lightguide film and are separately optically coupled to the light source and the lightguide. In one embodiment, the light input coupler comprises at least one light source optically coupled to the coupling lightguides which join together in a light mixing region. In another embodiment, the light input coupler is a collection of strip sections cut from a region film which are arranged in a grouping such that light may enter through the edge of a grouping or arrangement of strips. In another embodiment, the light emitting device comprises a light input coupler comprising a core region of a core material and a cladding region or cladding layer of a cladding material on at least one face or edge of the core material with a refractive index less than the core material. In other embodiment, the light input coupler comprises a plurality of coupling lightguides wherein a portion of light from a light source incident on the face of at least

one strip is directed into the lightguide such that it propagates in a waveguide condition. The light input coupler may also comprise at least one selected from the group: a strip folding device, a strip holding element, and an input surface optical element.

#### Light Source

**[0129]** In one embodiment, a light emitting device comprises at least one light source selected from a group: fluorescent lamp, cylindrical cold-cathode fluorescent lamp, flat fluorescent lamp, light emitting diode, organic light emitting diode, field emissive lamp, gas discharge lamp, neon lamp, filament lamp, incandescent lamp, electroluminescent lamp, radiofluorescent lamp, halogen lamp, incandescent lamp, mercury vapor lamp, sodium vapor lamp, high pressure sodium lamp, metal halide lamp, tungsten lamp, carbon arc lamp, electroluminescent lamp, laser, photonic bandgap based light source, quantum dot based light source, high efficiency plasma light source, microplasma lamp. The light emitting device may comprise a plurality of light sources arranged in an array, on opposite sides of lightguide, on orthogonal sides of a lightguide, on 3 or more sides of a lightguide, or on 4 sides of a substantially planer lightguide. The array of light sources may be a linear array with discrete LED packages comprises at least one LED die. In another embodiment, a light emitting device comprises a plurality of light sources within one package disposed to emit light toward a light input surface. In one embodiment, the light emitting device comprises 1, 2, 3, 4, 5, 6, 8, 9, 10, or more than 10 light sources. In another embodiment, the light emitting device comprises an organic light emitting diode disposed to emit light as a light emitting film or sheet. In another embodiment, the light emitting device comprises an organic light emitting diode disposed to emit light into a lightguide.

**[0130]** In one embodiment, a light emitting device comprises at least one broadband light source that emits light in a wavelength spectrum larger than 100 nanometers. In another embodiment, a light emitting device comprises at least one narrowband light source that emits light in a narrow bandwidth less than 100 nanometers. In another embodiment, a light emitting device comprises at least one broadband light source that emits light in a wavelength spectrum larger than 100 nanometers or at least one narrowband light source that emits light in a narrow bandwidth less than 100 nanometers. In one embodiment a light emitting device comprises at least one narrowband light source with a peak wavelength within a range selected from the group: 300 nm-350 nm, 350 nm-400 nm, 400 nm-450 nm, 450 nm-500 nm, 500 nm-550 nm, 550 nm-600 nm, 600 nm-650 nm, 650 nm-700 nm, 700 nm-750 nm, 750 nm-800 nm, and 800 nm-1200 nm. The light sources may be chosen to match the spectral qualities of red, green and blue such that collectively when used in a light emitting device used as a display, the color gamut area is at least one selected from the group: 70% NTSC, 80% NTSC, 90% NTSC, 100% NTSC, and 60%, 70%, 80%, 90%, and 95% of the visible CIE  $u'v'$  color gamut of a standard viewer. In one embodiment, at least one light source is a white LED package comprising a red, green, and blue LED.

**[0131]** In another embodiment, at least two light sources with different colors are disposed to couple light into the lightguide through at least one light input coupler. In another embodiment, a light emitting device comprises at least three light input couplers, at least three light sources with different colors (red, green and blue for example) and at least three

lightguides. In another embodiment, a light source further comprises at least one selected from the group: reflective optic, reflector, reflector cup, collimator, primary optic, secondary optic, collimating lens, compound parabolic collimator, lens, reflective region and input coupling optic. The light source may also comprise an optical path folding optic such as a curved reflector that can enable the light source (and possibly heat-sink) to be oriented along a different edge of the light emitting device. The light source may also comprise a photonic bandgap structure, nano-structure or other three-dimensional arrangement that provides light output with an angular FWHM less than one selected from the group: 120 degrees, 100 degrees, 80 degrees, 60 degrees, 40 degrees, and 20 degrees.

**[0132]** In another embodiment, a light emitting device comprises a light source emitting light in an angular full-width at half maximum intensity of less than one selected from 150 degrees, 120 degrees, 100 degrees, 80 degrees, 70 degrees, 60 degrees, 50 degrees, 40 degrees, 30 degrees, 20 degrees, and 10 degrees. In another embodiment, the light source further comprises at least one selected from the group: a primary optic, secondary optic, and photonic bandgap region and the angular full-width at half maximum intensity of the light source is less than one selected from 150 degrees, 120 degrees, 100 degrees, 80 degrees, 70 degrees, 60 degrees, 50 degrees, 40 degrees, 30 degrees, 20 degrees, and 10 degrees.

#### LED Array

**[0133]** In one embodiment, the light emitting device comprises a plurality of LEDs or LED packages wherein the plurality of LEDs or LED packages comprises an array of LEDs. The array components (LEDs or electrical components) may be physically (and/or electrically) coupled to a single circuit board or they may be coupled to a plurality of circuit boards that may or may not be directly physically coupled (i.e. such as not on the same circuit board).

**[0134]** In one embodiment, the array of LEDs is an array comprising at least two selected from the group: red, green, blue, and white LEDs. In this embodiment, the variation in the white point due to manufacturing or component variations can be reduced. In another embodiment, the LED array comprises at least one cool white LED and one red LED. In this embodiment, the CRI, or Color Rendering Index, is higher than the cool white LED illumination alone. In one embodiment, the CRI of at least one selected from the group: a light emitting region, the light emitting surface, light fixture, light emitting device, display driven in a white mode comprising the light emitting device, and sign is greater than one selected from the group: 70, 75, 80, 85, 90, 95, and 99. In another embodiment, the NIST Color Quality Scale (CQS) of at least one selected from the group: a light emitting region, the light emitting surface, light fixture, light emitting device, display driven in a white mode comprising the light emitting device, or sign is greater than one selected from the group: 70, 75, 80, 85, 90, 95, and 99. In another embodiment, a display comprising the light emitting device has a color gamut greater than 70%, 80%, 85%, 90%, 95%, 100%, 105%, 110%, 120%, and 130% that of the NTSC standard. In another embodiment, the LED array comprises white, green, and red LEDs. In another embodiment, the LED array comprises at least one green and blue LED and two types of red LEDs with one type having a lower luminous efficacy or a lower wavelength than

the other type of red LED. As used herein, the white LED may be a phosphor converted blue LED or a phosphor converted UV LED.

**[0135]** In another embodiment, the input array of LEDs can be arranged to compensate for uneven absorption of light through longer versus shorter lightguides. In another embodiment, the absorption is compensated for by directing more light into the light input coupler corresponding to the longer coupling lightguides or longer lightguides. In another embodiment, light within a first wavelength band is absorbed within the lightguide more than light within a second wavelength band and a first ratio of the radiant light flux coupled into the light input coupler within the first wavelength band divided by the radiant light flux coupled into the light input coupler within the second wavelength band is greater than a second ratio of the radiant light flux emitted from the light emitting region within the first wavelength band divided by the radiant light flux emitted from the light emitting region within the second wavelength band.

#### Laser

**[0136]** In one embodiment, the light emitting device comprises one or more lasers disposed to couple light into one or more light input couplers or the surface of one or more coupling lightguides. In one embodiment, the divergence of one or more light sources is less than one selected from the group: 20 milliradians, 10 milliradians, 5 milliradians, 3 milliradians, and 2 milliradians. In another embodiment, the light mixing region comprises a light scattering or light reflecting region that increases the angular FWHM of the light from one or more lasers within the light mixing region before entering into the light emitting region of the lightguide or light emitting surface region of the light emitting device. In a further embodiment, the light scattering region within the light mixing region is a volumetric or surface light scattering region with an angular FWHM of transmitted light less than one selected from the group: 50 degrees, 40 degrees, 30 degrees, 20 degrees, 10 degrees, 5 degrees, and 2 degrees when measured normal to the large area surface of the film in the region with a 532 nm laser diode with a divergence less than 5 milliradians. In a further embodiment, the haze of the diffuser in the light mixing region is less than one selected from the group: 50%, 40%, 30%, 20%, 10%, 5%, and 2% when measured normal to the large area surface of the film (such as parallel to the light emitting surface).

#### Color Tuning

**[0137]** In one embodiment, the light emitting device comprises two or more light sources and the relative output of the two light sources is adjusted to achieve a desired color in a light emitting region of the lightguide or an area of light output on the light emitting device comprising a plurality of lightguides overlapping in the region. For example, in one embodiment, the light emitting device comprises a red, green, and blue LED disposed to couple light into the light input surface of a stack of coupling lightguides. The light mixes within the lightguide and is output in a light emitting region of the lightguide. By turning on the red and blue LEDs, for example, one can achieve a purple colored light emitting region. In another embodiment, the relative light output of the light sources is adjusted to compensate for the non-uniform spectral absorption in an optical element of the light emitting device. For example, in one embodiment, the output of the

blue LED in milliwatts is increased to a level more than the red output in milliwatts in order to compensate for more blue light absorption in a lightguide (or blue light scattering) such that the light emitting region has a substantially white light output in a particular region.

#### LED Array Location

**[0138]** In one embodiment, a plurality of LED arrays are disposed to couple light into a single light input coupler or more than one light input coupler. In a further embodiment, a plurality of LEDs disposed on a circuit board are disposed to couple light into a plurality of light input couplers that direct light toward a plurality of sides of a light emitting device comprising a light emitting region. In a further embodiment, a light emitting device comprises an LED array and light input coupler folded behind the light emitting region of the light emitting device such that the LED array and light input coupler are not visible when viewing the center of the light emitting region at an angle perpendicular to the surface. In another embodiment, a light emitting device comprises a single LED array disposed to couple light into at least one light input coupler disposed to direct light into the light emitting region from the bottom region of a light emitting device. In one embodiment, a light emitting device comprises a first LED array and a second LED array disposed to couple light into a first light input coupler and a second light input coupler, respectively, wherein the first light input coupler and second light input coupler are disposed to direct light into the light emitting region from the top region and bottom region, respectively, of a light emitting device. In a further embodiment, a light emitting device comprises a first LED array, a second LED array, and a third LED array, disposed to couple light into a first light input coupler, a second light input coupler, and a third light input coupler, respectively, disposed to direct light into the light emitting region from the bottom region, left region, and right region, respectively, of a light emitting device. In another embodiment, a light emitting device comprises a first LED array, a second LED array, a third LED array, and a fourth LED array, disposed to couple light into a first light input coupler, a second light input coupler, a third light input coupler, and a fourth light input coupler, respectively, disposed to direct light into the light emitting region from the bottom region, left region, right region, and top region, respectively, of a light emitting device.

#### Wavelength Conversion Material

**[0139]** In another embodiment, the LED is a blue or ultraviolet LED combined with a phosphor. In another embodiment, a light emitting device comprises a light source with a first activating energy and a wavelength conversion material which converts a first portion of the first activating energy into a second wavelength different than the first. In another embodiment, the light emitting device comprises at least one wavelength conversion material selected from the group: a fluorophore, phosphor, a fluorescent dye, an inorganic phosphor, photonic bandgap material, a quantum dot material, a fluorescent protein, a fusion protein, a fluorophores attached to protein to specific functional groups (such as amino groups (active ester, carboxylate, isothiocyanate, hydrazine), carboxyl groups (carbodiimide), thiol (maleimide, acetyl bromide), azide (via click chemistry or non-specifically (glutaraldehyde))), quantum dot fluorophores, small molecule

fluorophores, aromatic fluorophores, conjugated fluorophores, a fluorescent dye, and other wavelength conversion material.

[0140] In one embodiment, the light source comprises a semiconductor light emitter such as an LED and a wavelength conversion material that converts a portion of the light from the emitter to a shorter or longer wavelength. In another embodiment, at least one selected from the group: light input coupler, cladding region, coupling lightguide, input surface optic, coupling optic, light mixing region, lightguide, light extraction feature or region, and light emitting surface comprises a wavelength conversion material.

#### Light Input Coupler Input Surface

[0141] In one embodiment, a film-based lightguide comprises an array of coupling lightguides and the film comprises bounding edges along its periphery. In one embodiment, the light input coupler comprises a collection of coupling lightguides with a plurality of bounding edges forming a light coupler input surface. In another embodiment, an optical element is disposed between the light source and at least one coupling lightguide wherein the optical element receives light from the light source through a light coupler input surface. In some embodiments, the input surface is substantially polished, flat, or optically smooth such that light does not scatter forwards or backwards from pits, protrusions or other rough surface features. In some embodiments, an optical element is disposed to between the light source and at least one coupling lightguide to provide light redirection as an input surface (when optically coupled to at least one coupling lightguide) or as an optical element separate or optically coupled to at least one coupling lightguide such that more light is redirected into the lightguide at angles greater than the critical angle within the lightguide than would be the case without the optical element or with a flat input surface. In another embodiment, the input surface is curved to refract light more light received from the light source into angles within the lightguide greater than the critical angle within the lightguide than would occur with a flat input surface. In another embodiment, the optical element comprises radial or linear Fresnel lens features which refract incident light. In another embodiment, the optical element comprises a refractive-TIR hybrid Fresnel lens (such as one having a low  $F/\#$  of less than 1.5). In a further embodiment, the optical element is a reflective and refractive optical element. In one embodiment, the light input surface may be formed by machine, cutting, polishing, forming, molding, or otherwise removing or adding material to the lightguide couplers to create a smooth, curved, rounded, concave, convex, rigged, grooved, micro-structured, nano-structured, or predetermined surface shape. In another embodiment, the light input coupler comprises an optical element designed to collect light from the light source and increase the uniformity. Such optical elements can include fly's eye lenses, microlens arrays, integral lenses, lenticular lenses holographic or other diffusing elements with micro-scale features or nano-scale features independent of how they were formed. In another embodiment, the light input coupler is optically coupled to at least one lightguide and at least one light source. In another embodiment, the optical element is at least one selected from the group: diffractive element, holographic element, lenticular element, lens, planar window, refractive element, reflective element, waveguide coupling element, anti-reflection coated element, planar element, and formed portion or region of at least one selected from the

group: coupling lightguide, optical adhesive, UV cured adhesive, and pressure sensitive adhesive. The light coupler or an element therein may be comprised of at least one light transmitting material. In another embodiment, an element of the light input coupler or the light input window, lens or surface is a silicone material wherein the ASTM D1003 luminous transmittance change due to exposure to 150 degrees centigrade for 200 hours is less than one selected from the group: 0.5%, 1%, 2%, 3%, 4%, and 5%. In another embodiment, the input surface of the coupling lightguides, the coupling lightguides, or the window optically coupled to the input surface is optically coupled using a light transmitting optical adhesive to an optical window, a light source, the outer surface of an LED, a light collimating optical element, a light redirecting optical element, a light turning optical element, an intermediate lens, or a light transmitting optical element.

[0142] When light propagating in air is incident to a planar light input surface of a light transmitting material with a refractive index higher than 1.3 at high angles from the normal to the interface, for example, much of the light is reflected from the air-input surface interface. One method of reducing the loss of light due to reflection is to optically couple the input surface of the light input coupler to the light source. Another method to reduce this loss is to use a collimation optic or optic that directs some of the light output from the light source into angles closer to the optical axis of the light source. The collimating optic, or optical element, may be optically coupled to the light source, the coupling lightguides, an adhesive, or other optical element such that it directs more light into the coupling lightguides into a total internal reflection condition within the coupling lightguides. In another embodiment, the light input surface comprises a recessed cavity or concave region such that the percentage of light from a light source disposed adjacent to the cavity or concave region that is reflected from the input surface is less than one selected from the group: 40%, 30%, 20%, 10%, 5%, 3%, and 2%.

[0143] In another embodiment, the total input area ratio, defined as the total area of the input surface of all of the light input couplers of the light emitting device receiving more than 5% of the total light flux from any light source divided by the total light emitting surface areas of the light sources is greater than one selected from the group: 0.9, 1, 1.5, 2, 4, and 5. In another embodiment, the individual input area ratio, defined as the area of the input surface of a light input coupler of the light emitting device receiving more than 5% of the total light flux received from a light source divided by the light emitting surface area of the light source is greater than one selected from the group: 0.9, 1, 1.5, 2, 4, and 5. The individual input area ratios of a light emitting device may vary for different input couplers and the individual input area ratio for a particular input coupler may be greater or less than the total input area ratio.

#### Input Surface Position Relative to Light Source

[0144] In one embodiment, the distance between the outer surface of the light source and the input surface of the light input coupler is less than one selected from the group: 3 millimeters, 2 millimeters, 1 millimeter, 0.5 millimeters, and 0.25 millimeters over a time period between just before powering on the light source and the time for a substantially steady-state junction temperature of the light source at a maintained ambient temperature for the light emitting device of 20 degrees Celsius.

**[0145]** In one embodiment, an elastic object used to store mechanical energy is disposed to force the outer surface of the light source to be in contact or a predetermined distance from the input surface of the light input coupler. In one embodiment, the elastic object is one selected from the group: tension spring, extension spring, compression spring, torsion spring, wire spring, coiled spring, flat spring, cantilever spring, coil spring, helical spring, conical spring, compression spring, volute spring, hairspring, balance spring, leaf spring, V-spring, Belleville washer, Belleville spring, constant-force spring, gas spring, mainspring, rubber band, spring washer, a torsion bar twisted under load, torsion spring, negator spring, and wave spring. In one embodiment, the elastic object is disposed between the light source or LED array and the housing or other element such as a thermal transfer element such that a force is exerted against the light source or LED array such that the relative distance between the outer light emitting surface of the light source or LED array and the input surface of the light input coupler remains within 0.5 millimeters of a fixed distance over a time period between just before powering on the light source and the time for a substantially steady-state junction temperature of the light source at a maintained ambient temperature for the light emitting device of 20 degrees Celsius.

**[0146]** In a further embodiment, a spacer comprises a physical element that substantially maintains the minimum separation distance of at least one light source and at least one input surface of at least one light input coupler. In one embodiment, the spacer is one selected from the group: a component of the light source, a region of a film (such as a white reflective film or low contact area cover film), a component of an LED array (such as a plastic protrusion), a component of the housing, a component of a thermal transfer element, a component of the holder, a component of the relative position maintaining element, a component of the light input surface, a component physically coupled to the light input coupler, light input surface, at least one coupling lightguide, window for the coupling lightguide, lightguide, housing or other component of the light emitting device.

**[0147]** In a further embodiment, at least one selected from the group: film, lightguide, light mixing region, light input coupler, and coupling lightguide comprises a relative position maintaining mechanism that maintains the relative distance between the outer light emitting surface of the light source or LED array and the input surface of the light input coupler remains within 0.5 millimeters of a fixed distance over a time period between just before powering on the light source and the time for a substantially steady-state junction temperature of the light source at a maintained ambient temperature for the light emitting device of 20 degrees Celsius. In one embodiment, the relative position maintaining mechanism is a hole in the lightguide and a pin in a component (such as a thermal transfer element) physically coupled to the light source. For example, pins in a thin aluminum sheet thermal transfer element physically coupled to the light source are registered into holes within the light input coupler (or a component of the light input coupler such as a coupling lightguide) to maintain the distance between the input surface of the light input coupler and the light emitting surface of the light source. In another embodiment, the relative position maintaining mechanism is a guide device.

**Stacked Strips or Segments of Film Forming a Light Input Coupler**

**[0148]** In one embodiment, the light input coupler is region of a film that comprises the lightguide and the light input

coupler which comprises strip sections of the film which form coupling lightguides that are grouped together to form a light coupler input surface. The coupling lightguides may be grouped together such the edges opposite the lightguide region are brought together to form an input surface comprising of their thin edges. A planar input surface for a light input coupler can provide beneficial refraction to redirect a portion of the input light from the surface into angles such that it propagates at angles greater than the critical angle for the lightguide. In another embodiment, a substantially planar light transmitting element is optically coupled to the grouped edges of coupling lightguides. One or more of the edges of the coupling lightguides may be polished, melted, adhered with an optical adhesive, solvent welded, or otherwise optically coupled along a region of the edge surface such that the surface is substantially polished, smooth, flat, or substantially planarized. This polishing can aide to reduce light scattering, reflecting, or refraction into angles less than the critical angle within the coupling lightguides or backwards toward the light source. The light input surface may comprise a surface of the optical element, the surface of an adhesive, the surface of more than one optical element, the surface of the edge of one or more coupling lightguides, or a combination of one or more of the aforementioned surfaces. The light input coupler may also comprise an optical element that has an opening or window wherein a portion of light from a light source may directly pass into the coupling lightguides without passing through the optical element. The light input coupler or an element or region therein may also comprise a cladding material or region.

**[0149]** In another embodiment, the cladding layer is formed in a material wherein under at least one selected from the group: heat, pressure, solvent, and electromagnetic radiation, a portion of the cladding layer may be removed. In one embodiment, the cladding layer has a glass transition temperature less than the core region and pressure applied to the coupling lightguides near the light input edges reduces the total thickness of the cladding to less than one selected from the group: 10%, 20%, 40%, 60%, 80% and 90% of the thickness of the cladding regions before the pressure is applied. In another embodiment, the cladding layer has a glass transition temperature less than the core region and heat and pressure applied to the coupling lightguides near the light input edges reduces the total thickness of the cladding regions to less than one selected from the group: 10%, 20%, 40%, 60%, 80% and 90% of the thickness of the cladding regions before the heat and pressure is applied. In another embodiment, a pressure sensitive adhesives functions as a cladding layer and the coupling lightguides are folded such that the pressure sensitive adhesive or component on one or both sides of the coupling lightguides holds the coupling lightguides together and at least 10% of the thickness of the pressure sensitive adhesive is removed from the light input surface by applying heat and pressure.

**[0150]** Guide Device for Coupling the Light Source to the Light Input Surface of the Light Input Coupler

**[0151]** The light input coupler may also comprise a guide that comprises a mechanical, electrical, manual, guided, or other system or component to facility the alignment of the light source in relation to the light input surface. The guide device may comprise an opening or window and may physically or optically couple together one or more selected from the group: light source (or component physically attached to a light source), a light input coupler, coupling lightguide,

housing, and electrical, thermal, or mechanical element of the light emitting device. In one embodiment of this device an optical element comprises one or more guides disposed to physically couple or align the light source (such as an LED strip) to the optical element or coupling lightguides. In another embodiment, the optical element comprises one or more guide regions disposed to physically couple or align the optical element to the light input surface of the input coupler. The guide may comprise a groove and ridge, hole and pin, male and corresponding female component, or a fastener. In one embodiment, the guide comprises a fastener selected from the group: a batten, button, clamp, clasp, clip, clutch (pin fastener), flange, grommet, anchor, nail, pin, peg, clevis pin, cotter pin, linchpin, R-clip, retaining ring, circlip retaining ring, e-ring retaining ring, rivet, screw anchor, snap, staple, stitch, strap, tack, threaded fastener, captive threaded fasteners (nut, screw, stud, threaded insert, threaded rod), tie, toggle, hook-and-loop strips, wedge anchor, and zipper. In another embodiment, one or more guide regions are disposed to physically couple or align one or more films, film segments (such as coupling lightguides), thermal transfer elements, housing or other components of the light emitting device together.

#### Light Redirecting Optical Element

**[0152]** In one embodiment, a light redirecting optical element is disposed to receive light from at least one light source and redirect the light into a plurality of coupling lightguides. In another embodiment, the light redirecting optical element is at least one selected from the group: secondary optic, mirrored element or surface, reflective film such as aluminized Polyethylene Terephthalate (PET) film, giant birefringent optical films such as Vikuiti™ Enhanced Specular Reflector Film by 3M Inc., curved mirror, totally internally reflecting element, beamsplitter, and dichroic reflecting mirror or film.

**[0153]** In another embodiment, a first portion of light from a light source with a first wavelength spectrum is directed by reflection by a wavelength selective reflecting element (such as a dichroic filter) into a plurality of coupling lightguides. In another embodiment, a first portion of light from a light source with a first wavelength spectrum is directed by reflection by a wavelength selective reflecting element (such as a dichroic filter) into a plurality of coupling lightguides and a second portion of light from a second light source with a second wavelength spectrum is transmitted through the wavelength selective reflecting element into the plurality of coupling lightguides. For example, in one embodiment, a red light from an LED emitting red light is reflected by a first dichroic filter oriented at 45 degrees and reflects light into a set of coupling lightguides. Green light from an LED emitting green light is reflected by a second dichroic filter oriented at 45 degrees and passes through the first dichroic filter into the set of coupling lightguides. Blue light from a blue LED is directed toward and passes through the first and second dichroic filters into the coupling lightguides. Other combinations of light coupling or combining the output from multiple light sources into an input surface or aperture are known in the field of projection engine design and include methods for combining light output from color LEDs onto an aperture such as a microdisplay. These techniques may be readily adapted to

embodiments wherein the microdisplay or spatial light modulator is replaced by the input surface of coupling lightguides.

#### Light Collimating Optical Element

**[0154]** In one embodiment, the light input coupler comprises a light collimating optical element. A light collimating optical element receives light from the light source with a first angular full-width at half maximum intensity within at least one input plane and redirects a portion of the incident light from the light source such that the angular full-width at half maximum intensity of the light is reduced in the first input plane. In one embodiment, the light collimating optical element is one or more of the following: a light source primary optic, a light source secondary optic, a light input surface, and an optical element disposed between the light source and at least one coupling lightguide. In another embodiment, the light collimating element is one or more of the following: an injection molded optical lens, a thermoformed optical lens, and a cross-linked lens made from a mold. In another embodiment, the light collimating element reduces the angular full-width at half maximum (FWHM) intensity within the input plane and a plane orthogonal to the input plane.

**[0155]** In one embodiment, a light emitting device comprises a light input coupler and a film-based lightguide. In one embodiment the light input coupler comprises a light source and a light collimating optical element disposed to receive light from one or more light sources and provide light output in a first output plane, second output plane orthogonal to the first plane, or in both output planes with an angular full-width at half maximum intensity in air less than one selected from the group: 60 degrees, 40 degrees, 30 degrees, 20 degrees, and 10 degrees from the optical axis of the light exiting the light collimating optical element.

**[0156]** In one embodiment, the collimation or reduction in angular FWHM intensity of the light from the light collimating element is substantially symmetric about the optical axis. In one embodiment, the light collimating optical element receives light from a light source with a substantially symmetric angular FWHM intensity about the optical axis greater than one selected from the group: 50, 60, 70, 80, 90, 100, 110, 120, and 130 degrees and provides output light with an angular FWHM intensity less than one selected from the group: 60, 50, 40, 30, and 20 degrees from the optical axis. For example, in one embodiment, the light collimating optical element receives light from a white LED with an angular FWHM intensity of about 120 degrees symmetric about its optical axis and provides output light with an angular FWHM intensity of about 30 degrees from the optical axis.

**[0157]** In another embodiment, the collimation or reduction in angular FWHM intensity of the light from light collimating element is substantially asymmetric about the optical axis. In one embodiment, the light collimating optical element receives light from a light source with a substantially symmetric angular FWHM intensity about the optical axis greater than one selected from the group: 50, 60, 70, 80, 90, 100, 110, 120, and 130 degrees and provides output light with an angular FWHM intensity less than one selected from the group: 60, 50, 40, 30, and 20 degrees in a first output plane and an angular FWHM intensity greater than one selected from the group: 100, 90, 80, 70, 60, 50, 40, and 30, degrees in a second output plane substantially orthogonal to the first output plane. For example, in one embodiment, the light collimating optical element receives light from a white LED with an angular FWHM intensity of about 120 degrees symmetric

about its optical axis and provides output light with an angular FWHM intensity of about 30 degrees in the first plane orthogonal to the extended film surfaces of the stack of coupling lightguides and an angular FWHM intensity of about 80 degrees in the second plane parallel to the extended film surfaces of the stack of coupling lightguides. In one embodiment, the first output plane is substantially parallel to the extended film surfaces of the coupling lightguides in the stack of coupling lightguides disposed to receive the light from the light collimating optical element

**[0158]** In one embodiment, a light emitting device comprises a light input coupler and a film-based lightguide wherein the light propagating within the lightguide has an angular full-width at half maximum intensity less than one selected from the group: 60 degrees, 40 degrees, 30 degrees, 20 degrees, and 10 degrees from the optical axis of the light propagating in the lightguide. In another embodiment, the angular full-width at half maximum intensity of the light propagating in one or more regions of the coupling lightguides, light mixing regions, lightguide regions, or light emitting regions is reduced by an angular bandwidth reduction method. In one embodiment, a light emitting device comprises a film-based lightguide that utilizes one or more angular FWHM intensity reduction methods, including without limitation, collimating incident light using a light collimating optical element, collimating light within the coupling lightguide using tapered or arcuate lateral edges of one or more coupling lightguides or regions of coupling lightguides, reducing the radius of curvature of a bend in one or more coupling lightguides in one or more bend regions, reducing the refractive index difference between the core region and the cladding region, decreasing the thickness of the cladding region, and increasing the refractive index of the cladding region.

**[0159]** The angular full-width at half maximum intensity of the light propagating within the lightguide can be determined by measuring the far field angular intensity output of the lightguide from an optical quality end cut normal to the film surface and calculating and adjusting for refraction at the air-lightguide interface. In another embodiment, the average angular full-width at half maximum intensity of the extracted light from one or more light extraction features or light extraction regions comprising light extraction features of the film-based lightguide is less than one selected from the group: 50 degrees, 40 degrees, 30 degrees, 20 degrees, 10 degrees, and 5 degrees. In another embodiment, the peak angular intensity of the light extracted from the light extraction feature is within 50 degrees of the surface normal of the lightguide within the region. In another embodiment, the far-field total angular full-width at half maximum intensity of the extracted light from the light emitting region of the film-based lightguide is less than one selected from the group: 50 degrees, 40 degrees, 30 degrees, 20 degrees, 10 degrees, and 5 degrees and the peak angular intensity is within 50 degrees of the surface normal of the lightguide in the light emitting region.

#### Light Turning Optical Element

**[0160]** In one embodiment, a light input coupler comprises a light turning optical element disposed to receive light from a light source with a first optical axis angle and redirect the light to having a second optical axis angle different than the first optical axis angle. In one embodiment, the light turning optical element redirects light by about 90 degrees. In another

embodiment, the light turning optical element redirects the optical axis of the incident light by an angle selected from within the range of 75 degrees and 90 degrees within at least one plane. In another embodiment, the light turning optical element redirects the optical axis of the incident light by an angle selected from within the range of 40 degrees and 140 degrees. In one embodiment, the light turning optical element is optically coupled to the light source or the light input surface of the coupling lightguides. In another embodiment, the light turning optical element is separated in the optical path of light from the light source or the light input surface of the coupling lightguides by an air gap. In another embodiment, the light turning optical element redirects light from two or more light sources with first optical axis angles to light having second optical axis angles different than the first optical axis angles. In a further embodiment, the light turning optical element redirects a first portion of light from a light source with a first optical axis angle to light having a second optical axis angle different than the first optical axis angle. In another embodiment, the light turning optical element redirects light from a first light source with a first optical axis angle to light having a second optical axis angle different from the first optical axis angle and light from a second light source with a third optical axis angle to light having a fourth optical axis angle different from the third optical axis angle.

#### Bi-Directional Light Turning Optical Element

**[0161]** In another embodiment, the light turning optical element redirects the optical axis of light from one or more light sources into two different directions. For example, in one embodiment, the middle coupling lightguide of a light input coupler is a non-folded coupling lightguide and the light input ends of two arrays of stacked, folded coupling lightguides are directed toward the middle coupling lightguide. A bi-directional light turning optical element is disposed above the middle coupling lightguide such that a first portion of light from a light source enters the middle coupling lightguide, a second portion of light from the light source is directed in a first direction parallel and toward the input surface of the first stacked array of folded coupling lightguides by the bi-directional light turning optical element, and a third portion of light from the light source is directed in a second direction parallel and toward the input surface of the second stacked array of folded coupling lightguides by the bi-directional light turning optical element. In this embodiment, the light source may be disposed between the lateral edges of the light emitting region or light emitting device and the non-folded coupling lightguide eliminates an otherwise dark region (where there is insufficient room for a folded coupling lightguide) or eliminates the requirement for multiple bends in the coupling lightguides that can introduce further light loss and increase volume requirements.

**[0162]** In one embodiment, the bi-directional light turning optical element splits and turns the optical axis of one light source into two different directions. In another embodiment, the bi-directional light turning optical element rotates the optical axis of a first light source into a first direction and rotates the optical axis of a second light source into a second direction different than the first direction. In another embodiment, an optical element, such as an injection molded lens, comprises more than one light turning optical element and light collimating element that are configured to receive light from more than one light source. For example, an injection molded lens comprising a linear array of optical light turning

surfaces and light collimating surfaces may be disposed to receive light from a strip comprising a linear array of LEDs such that the light is directed into a plurality of light input couplers or stacks of coupling lightguides. By forming a single optical element to perform light turning and light collimating for a plurality of light sources, fewer optical elements are needed and costs can be reduced. In another embodiment, the bi-directional light turning element may be optically coupled to the light source, the coupling lightguides, or a combination thereof.

#### Light Turning and Light Collimating Optical Element

**[0163]** In another embodiment, the light turning optical element turns the optical axis of the light from the light source in a first plane within the light turning element and collimates the light in the first plane, in a second plane orthogonal to the first plane, or a combination thereof. In another embodiment, the light turning optical element comprises a light turning region and a collimating region. In one embodiment, by collimating input light in at least one plane, the light will propagate more efficiently within the lightguide and have reduced losses in the bend regions and reduced input coupling losses into the coupling lightguides. In one embodiment, the light turning optical element is an injection molded lens designed to redirect light from a first optical axis angle to a second optical axis angle different from the first optical axis angle. The injection molded lens may be formed of a light transmitting material such as poly(methyl methacrylate) (PMMA), polycarbonate, silicone, or any suitable light transmitting material. In a further embodiment, the light turning element may be a substantially planar element that redirects light from a first optical axis angle to a second optical axis angle in a first plane while substantially maintaining the optical axis angle in a second plane orthogonal to the first plane. For example, in one embodiment, the light turning optical element is a 1 millimeter (mm) thick lens with a curved profile in one plane cut from a 1mm sheet of PMMA using a carbon dioxide (CO<sub>2</sub>) laser cutter.

**[0164]** In one embodiment, the light input coupler comprises a light turning optical element or coupling lightguides with light turning edges that permit a light source to be disposed between the extended bounding regions of the sides of the light emitting surface adjacent to the input side of the light from the light source into the lightguide region. In this embodiment, the turning optical element or light turning edges permit the light source to be disposed on the light input side region of the lightguide region without substantially extending beyond either side. Additionally, in this embodiment, the light source may be folded behind the light emitting region of the lightguide such that the light source does not substantially extend beyond an edge of the light emitting region or outer surface of the light emitting device comprising the light emitting region. In another embodiment, the light source is substantially directed with its optical axis oriented toward the light emitting region and the turning optical element or turning edges of the coupling lightguides permit the light to be turned such that it can enter the stacked array of coupling lightguides that are stacked substantially parallel to the input side of the lightguide region and substantially orthogonal to the light source optical axis.

#### Light Coupling Optical Element

**[0165]** In one embodiment, a light emitting device comprises a light coupling optical element disposed to receive

light from the light source and transmit a larger flux of light into the coupling lightguides than would occur without the light coupling element. In one embodiment, the light coupling element refracts a first portion of incident light from a light source such that it is incident upon the input surface of one or more coupling lightguides or sets of coupling lightguides at a lower incidence angle from the normal such that more light flux is coupled into the coupling lightguides or sets of coupling lightguides (less light is lost due to reflection). In another embodiment, the light coupling optical element is optically coupled to at least one selected from the group: a light source, a plurality of coupling lightguides, a plurality of sets of coupling lightguides, a plurality of light sources.

#### Light Blocking Element

**[0166]** In one embodiment, the light input coupler comprises a light blocking element to block external light from reaching the lightguide or lightguide region or to block light emitted from a region of the light emitting device from escaping the device being seen by a viewer. In one embodiment, the light blocking element prevents a significant portion of incident light from escaping or entering the light input coupler through absorption, reflection, or a combination thereof. For example, in one embodiment, an aluminum reflective tape is adhered around the coupling lightguides of a light input coupler. In another embodiment, a low refractive index cladding or air region is disposed between a light absorbing or reflecting light blocking element such that light totally internally reflecting within the core layer of a coupling lightguide or lightguide is not frustrated from the total internal reflection and absorbed or scattered out of the coupling lightguide or lightguide. In another embodiment, the light blocking element is a substantially specularly reflecting element and is optically coupled to one or more coupling lightguides or lightguides. In another embodiment, for example, the housing of the light input coupler is black and substantially absorbs light escaping from the edges of the coupling lightguides and prevents this light from distracting from the visual appearance of the light emitting device. In another embodiment, the light blocking element is a region disposed on or physically or optically coupled to a low contact area cover. In another embodiment, the light blocking element maintains the relative position of the coupling lightguides to each other or maintains the relative position between the coupling lightguide and a lightguide region, light mixing region, or light source. For example, in one embodiment, a partially specularly reflecting aluminum film comprises an adhesive (an aluminum tape), wraps around the coupling lightguides, and is also adhered to the lightguide in a light mixing region. In one embodiment the light blocking element has an ASTM D790 flexural modulus greater than one selected from the group: 1.5, 2, 4, 6, 8, 10, and 15 gigapascals (GPa).

#### Thermal Stability of Optical Element

**[0167]** In another embodiment, the light coupling optical element or light redirecting optical element contains materials with a volumetric average glass transition temperature higher than the volumetric average glass transition temperature of the materials contained within the coupling lightguides. In another embodiment, the glass transition temperature of the coupling lightguides is less than 100 degrees Centigrade and the glass transition temperature of the light coupling optical element or the light redirecting optical ele-



ment is greater than 100 degrees Centigrade. In a further embodiment, the glass transition temperature of the coupling lightguides is less than 120 degrees Centigrade and the glass transition temperature of the light coupling optical element or the light redirecting optical element is greater than 120 degrees Centigrade. In a further embodiment, the glass transition temperature of the coupling lightguides is less than 140 degrees Centigrade and the glass transition temperature of the light coupling optical element or the light redirecting optical element is greater than 140 degrees Centigrade. In another embodiment, the light redirecting optical element or the light coupling optical element comprises polycarbonate and the coupling lightguides comprise poly(methyl methacrylate). In another embodiment, at least one of the light redirecting optical element and the light coupling optical element is thermally coupled to a thermal transfer element or the housing of the light emitting device.

#### Coupling Lightguides

**[0168]** In one embodiment, the coupling lightguide is a region wherein light within the region can propagate in a waveguide condition and a portion of the light input into a surface or region of the coupling lightguides passes through the coupling lightguide toward a lightguide or light mixing region. In one embodiment, coupling lightguides are defined by "leg" regions extending from a "body" (lightguide region) of a film. In one embodiment, the light propagating in a waveguide condition within the coupling lightguide reflects from the outer surfaces of the coupling lightguide, thus totally internally reflecting within the volume of the coupling lightguide. In another embodiment, the coupling lightguide comprises a cladding region or other region optically coupled to a core region of the coupling lightguide. In this embodiment, a portion of the light within the coupling lightguide may propagate through the core region, a portion of the light within the coupling lightguide may propagate through the cladding region or other region, or light may propagate through both regions in a waveguide condition (or in a non-waveguide condition near the input surface, near a light extracting layer on the cladding or other area, or near the bend region). The coupling lightguide, in some embodiments, may serve to geometrically transform a portion of the flux from a light source from a first shaped area to a second shaped area different from the first. In an example of this embodiment, the light input surface of the light input coupler formed from the edges of folded strips (coupling lightguides) of a planar film has the dimensions of a rectangle that is 3 millimeters by 2.7 millimeters and the light input coupler couples light into a planar section of a film in the light mixing region with a cross-sectional dimensions of 40.5 millimeters by 0.2 millimeters. In one embodiment, the input area of the light input coupler is substantially the same as the cross-sectional area of the light mixing region or lightguide disposed to receive light from one or more coupling lightguides. In another embodiment, the total transformation ratio, defined as the total light input surface area of the light input couplers receiving more than 5% of the light flux from a light source divided by the total cross-sectional area of the light mixing region or lightguide region disposed to receive light from the coupling lightguides is one selected from the group: 1 to 1.1, 0.9 to 1, 0.8 to

0.9, 0.7 to 0.8, 0.6 to 0.7, 0.5 to 0.6, 0.5 to 0.999, 0.6 to 0.999, 0.7 to 0.999, less than 1, greater than 1, equal to 1. In another embodiment, the input surface area of each light input coupler corresponding to the edges of coupling lightguides disposed to receive light from a light source is substantially the same as the cross-sectional area of the light mixing region or lightguide region disposed to receive light from each corresponding coupling lightguides. In another embodiment, the individual transformation ratio, defined as the total light input area of a single light input surface of a light input coupler (corresponding to the edges of coupling lightguides) divided by the total cross-sectional area of the light mixing region or lightguide disposed to receive light from the corresponding coupling lightguides is one selected from the group: 1 to 1.1, 0.9 to 1, 0.8 to 0.9, 0.7 to 0.8, 0.6 to 0.7, 0.5 to 0.6, 0.5 to 0.999, 0.6 to 0.999, 0.7 to 0.999, less than 1, greater than 1, equal to 1.

**[0169]** In another embodiment, a coupling lightguide is disposed to receive light from at least one input surface with a first input surface longest dimension and transmit the light to a lightguide with a light emitting surface with a light emitting surface longest dimension larger than the first input surface largest dimension. In another embodiment, the coupling lightguide is a plurality of lightguides disposed to collect light from at least one light source through edges or surfaces of the coupling lightguides and direct the light into the surface, edge, or region of a lightguide comprising a light emitting surface. In one embodiment, the coupling lightguides provide light channels whereby light flux entering the coupling lightguides in a first cross sectional area can be redistributed into a second cross sectional area different from the first cross sectional area at the light output region of the light input coupler. The light exiting the light input coupler or light mixing region may then propagate to a lightguide or lightguide region which may be a separate region of the same element (such as a separate region of the same film). In one embodiment, a light emitting device comprises a light source and a film processed to form a lightguide region with light extraction features, a light mixing region wherein light from a plurality of sources, light input couplers, or coupling lightguides mixes before entering into the lightguide region. The coupling lightguides, light mixing region, and light extraction features may all be formed from, on, or within the same film and they may remain interconnected to each other through one or more regions.

**[0170]** In one embodiment, at least one coupling lightguide is disposed to receive light from a plurality of light sources of at least two different colors, wherein the light received by the coupling lightguide is pre-mixed angularly, spatially, or both by reflecting through the coupling lightguide and the 9-spot sampled spatial color non-uniformity,  $\Delta u'v'$ , of the light emitting surface of the light emitting device measured on the 1976  $u', v'$  Uniform Chromaticity Scale as described in VESA Flat Panel Display Measurements Standard version 2.0, Jun. 1, 2001 (Appendix 201, page 249) is less than one selected from the group: 0.2, 0.1, 0.05, 0.01, and 0.004 when measured using a spectrometer based spot color meter.

#### Coupling Lightguide Folds and Bends

**[0171]** In one embodiment, light emitting device comprises a light mixing region disposed between a lightguide and strips or segments cut to form coupling lightguides, whereby a collection of edges of the strips or segments are brought together to form a light input surface of the light input coupler

disposed to receive light from a light source. In one embodiment, the light input coupler comprises a coupling lightguide wherein the coupling lightguide comprises at least one fold or bend in one plane such that at least one edge overlaps another edge. In another embodiment, the coupling lightguide comprises a plurality of folds or bends wherein edges of the coupling lightguide can be abutted together in region such that the region forms a light input surface of the light input coupler of the light emitting device.

**[0172]** In one embodiment, a light emitting device comprises a light input coupler comprising at least one coupling lightguide that is bent or folded such that light propagating in a first direction within the lightguide before the bend or fold is propagating in a second direction different than the first within the lightguide after the bend or fold.

**[0173]** In one embodiment, at least one coupling lightguide comprises a strip or segment that is bent or folded to radius of curvature of less than 75 times the thickness of the strip or segment. In another embodiment, at least one coupling lightguide comprises a strip or segment that is bended or folded to radius of curvature greater than 10 times the thickness of the strip or segment. In another embodiment, at least one coupling lightguide is bent or folded such that longest dimension in a cross-section through the light emitting device or coupling lightguide in at least one plane is less than without the fold or bend. Segments or strips may be bent or folded in more than one direction or region and the directions of folding or bending may be different between strips or segments.

#### Optical Efficiency of the Light Input Coupler

**[0174]** In an embodiment, the optical efficiency of the light input coupler, defined as the percentage of the original light flux from the light source that passes through the light input coupler light input surface and out of the light input coupler into a mixing region, lightguide, or light emitting surface, is greater than one selected from the group: 50%, 60%, 70%, 80%, 90%, and 95%. The degree of collimation can affect the optical efficiency of the light input coupler.

#### Collimation of Light Entering the Coupling Lightguides

**[0175]** In one embodiment, at least one selected from the group: light source, light collimating optical element, light source primary optic, light source secondary optic, light input surface, optical element disposed between the light source and at least one selected from the group: coupling lightguide, shape of the coupling lightguide, shape of the mixing region, shape of the light input coupler, and shape of an element or region of the light input coupler provides light that within the coupling lightguide with an angular full-width of half maximum intensity chosen from the group of less than 80 degrees, less than 70 degrees, less than 60 degrees, less than 50 degrees, less than 40 degrees, less than 30 degrees, less than 20 degrees, less than 10 degrees, between 10 degrees and 30 degrees, between 30 degrees and 50 degrees, between 50 degrees and 60 degrees and between 30 degrees and 80 degrees. In some embodiments, light which is highly collimated (FWHM of about 10 degrees or less) does not mix spatially within a lightguide region with light extracting features such that there may be dark bands or regions of non-uniformity. In this embodiment, the light, however, will be efficiently coupled around curves and bends in the lightguide relative to less collimated light and in some embodiments, the high degree of collimation enables small radii of curvature

and thus a smaller volume for the fold or bend in a light input coupler and resulting light emitting device. In another embodiment, a significant portion of light from a light source with a low degree of collimation (FWHM of about 120 degrees) within the coupling lightguides will be reflected into angles such that it exits the coupling lightguides in regions near bends or folds with small radii of curvature. In this embodiment, the spatial light mixing (providing uniform color or luminance) of the light from the coupling lightguides in the lightguide in areas of the light extracting regions is high and the light extracted from lightguide will appear to have a more uniform angular or spatial color or luminance uniformity.

**[0176]** In one embodiment, light from a light source is collimated in a first plane by a light collimating optical element and the light is collimated in a second plane orthogonal to the first plane by light collimating edges of the coupling lightguide. In another embodiment, a first portion of light from a light source is collimated by a light collimating element in a first plane and the first portion of light is further collimated in a second plane orthogonal to the first plane, the first plane, or a combination thereof by collimating edges of one or more coupling lightguides. In a further embodiment, a first portion of light from a light source is collimated by a light collimating element in a first plane and a second portion of light from the light source or first portion of light is collimated in a second plane orthogonal to the first plane, the first plane, or a combination thereof by collimating edges of one or more coupling lightguides.

**[0177]** In another embodiment, one or more coupling lightguides is bent or folded and the optical axis of the light source is oriented at a first redirection angle to the light emitting device optical axis, oriented at a second redirection angle to a second direction orthogonal to the light emitting device optical axis, and oriented at a third redirection angle to a third direction orthogonal to the light emitting device optical axis and the second direction. In another embodiment, the first redirection angle, second redirection angle, or third redirection angle is about one selected from the group: 0 degrees, 45 degrees, 90 degrees, 135 degrees, 180 degrees, 0-90 degrees, 90-180 degrees, and 0-180 degrees.

**[0178]** Each light source may be oriented at a different angle. For example, two light sources along one edge of a film with a strip-type light input coupler can be oriented directly toward each other (the optical axes are 180 degrees apart). In another example, the light sources can be disposed in the center of an edge of a film and oriented away from each other (the optical axes are also 180 degrees apart).

**[0179]** The segments or strips may be once folded, for example, with the strips oriented and abutting each other along one side of a film such that the light source optical axis is in a direction substantially parallel with the film plane or lightguide plane. The strips or segments may also be folded twice, for example, such that the light source optical axis is substantially normal to the film plane or normal to the waveguide.

**[0180]** In one embodiment, the fold or bend in the coupling lightguide, region or segment of the coupling lightguide or the light input coupler has a crease or radial center of the bend in a direction that is at a bend angle relative to the light source optical axis. In another embodiment, the bend angle is one selected from the group: 0 degrees, 45 degrees, 90 degrees, 135 degrees, 180 degrees, 0-90 degrees, 90-180 degrees, and 0-180 degrees.

**[0181]** The bend or fold may also be of the single directional bend (such as vertical type, horizontal type, 45 degree type or other single angle) or the bend or fold or be multi-directional such as the twisted type wherein the strip or segment is torsional. In one embodiment, the strip, segment or region of the coupling lightguide is simultaneously bent in two directions such that the strip or segment is twisted.

**[0182]** In another embodiment, the light input coupler comprises at least one light source disposed to input light into the edges of strips (or coupling lightguides) cut into a film wherein the strips are twisted and aligned with their edges forming an input surface and the light source output surface area is substantially parallel with the edge of the coupling lightguide, lightguide, lightguide region, or light input surface or the optical axis of the light source is substantially perpendicular to the edge of the coupling lightguide, lightguide, lightguide region, or light input surface. In another embodiment, multiple light sources are disposed to couple light into a light input coupler comprising strips cut into a film such that at least one light source has an optical axis substantially parallel to the lightguide edge, coupling lightguide lateral edge or the nearest edge of the lightguide region. In another embodiment, two groupings of coupling lightguides are folded separately toward each other such that the separation between the ends of the strips is substantially the thickness of the central strip between the two groupings and two or more light sources are disposed to direct light in substantially opposite directions into the strips. In one embodiment, two groupings of coupling lightguides are folded separately toward each other such and then both folded in a direction away from the film such that the edges of the coupling lightguides are brought together to form a single light input surface disposed to receive light from at least one light source. In this embodiment, the optical axis of the light source may be substantially normal to the substantially planar film-based lightguide.

**[0183]** In one embodiment, two opposing stacks of coupling lightguides from the same film are folded and recombined at some point away from the end of the coupling apparatus. This can be accomplished by splitting the film into one or more sets of two bundles, which are folded towards each other. In this embodiment, the bundles can be folded at an additional tight radius and recombined into a single stack. The stack input can further be polished to be a flat single input surface or optically coupled to a flat window and disposed to receive light from a light source.

**[0184]** In one embodiment, the combination of the two film stacks is configured to reduce the overall volume. In one embodiment, the film is bent or folded to a radius of curvature greater than 10X the film thickness order to retain sufficient total internal reflection for a first portion of the light propagating within the film.

**[0185]** In another embodiment, the light input coupler comprises at least one coupling lightguide wherein the coupling lightguide comprises an arcuate reflective edge and is folded multiple times in a fold direction substantially parallel to the lightguide edge or nearest edge of the lightguide region wherein multiple folds are used to bring sections of an edge together to form a light input surface with a smaller dimension. In another embodiment, the light coupling lightguide, the strips, or segments have collimating sections cut from the coupling lightguide which directs light substantially more parallel to the optical axis of the light source. In one embodiment, the collimating sections of the coupling lightguide,

strips or segments direct light substantially more parallel to the optical axis of the light source in at least one plane substantially parallel to the lightguide or lightguide region.

**[0186]** In a further embodiment, a light input coupler comprises at least one coupling lightguide with an arc, segmented arc, or other light redirect edge cut into a film and the light input coupler comprises a region of the film rolled up to form a spiral or concentric-circle-like light input edge disposed to receive light from a light source.

#### Coupling Lightguide Lateral Edges

**[0187]** In one embodiment, the lateral edges, defined herein as the edges of the coupling lightguide which do not substantially receive light directly from the light source and are not part of the edges of the lightguide. The lateral edges of the coupling lightguide receive light substantially only from light propagating within the coupling light guide. In one embodiment, the lateral edges are at least one selected from the group: uncoated, coated with a reflecting material, disposed adjacent to a reflecting material, and cut with a specific cross-sectional profile. The lateral edges may be coated, bonded to or disposed adjacent to a specularly reflecting material, partially diffusely reflecting material, or diffuse reflecting material. In one embodiment, the edges are coated with a specularly reflecting ink comprising nano-sized or micron-sized particles or flakes which substantially reflect the light in a specular manner when the coupling lightguides are brought together from folding or bending. In another embodiment, a light reflecting element (such as a multi-layer mirror polymer film with high reflectivity) is disposed near the lateral edge of at least one region of a coupling lightguide disposed, the multi-layer mirror polymer film with high reflectivity is disposed to receive light from the edge and reflect it and direct it back into the lightguide. In another embodiment, the lateral edges are rounded and the percentage of incident light diffracted out of the lightguide from the edge is reduced. One method of achieving rounded edges is by using a laser to cut the strips, segments or coupling lightguide region from a film and edge rounding through control of the processing parameters (speed of cut, frequency of cut, laser power, etc.). Other methods for creating rounded edges include mechanical sanding/polishing or from chemical/vapor polishing. In another embodiment, the lateral edges of a region of a coupling lightguide are tapered, angled serrated, or otherwise cut or formed such that light from a light source propagating within the coupling lightguide reflects from the edge such that it is directed into an angle closer to the optical axis of the light source, toward a folded or bent region, or toward a lightguide or lightguide region.

#### Width of Coupling Lightguides

**[0188]** In one embodiment, the dimensions of the coupling lightguides are substantially equal in width and thickness to each other such that the input surface areas for each edge surface are substantially the same. In another embodiment, the average width of the coupling lightguides,  $w$ , is determined by the equation:

$$w = MF * W_{LES} / NC,$$

**[0189]** where  $W_{LES}$  is the total width of the light emitting surface in the direction parallel to the light entrance edge of the lightguide region or lightguide receiving light from the coupling lightguide,  $NC$  is the total number of coupling lightguides in the direction parallel to the light entrance edge of the

lightguide region or lightguide receiving light from the coupling lightguide, and MF is the magnification factor. In one embodiment, the magnification factor is one selected from the group: 0.7, 0.8, 0.9, 1, 1.1, 1.2, 1.3, 1.4, 0.7-1.3, 0.8-1.2, and 0.9-1.1. In another embodiment, at least one selected from the group: coupling lightguide width, the largest width of a coupling waveguide, the average width of the coupling lightguides, and the width of each coupling lightguides is selected from a group: 0.5 mm-1mm, 1mm-2 mm, 2 mm-3 mm, 3 mm-4 mm, 5 mm-6 mm, 0.5 mm-2 mm, 0.5 mm-25 mm, 0.5 mm-10 mm, 10-37 mm, and 0.5 mm-5 mm. In one embodiment, at least one selected from the group: the coupling lightguide width, the largest width of a coupling waveguide, the average width of the coupling lightguides, and the width of each coupling lightguides is less than 20 millimeters.

**[0190]** In one embodiment, the ratio of the average width of the coupling lightguides disposed to receive light from a first light source to the average thickness of the coupling lightguides is greater than one selected from the group: 1, 2, 4, 5, 10, 15, 20, 40, 60, 100, 150, and 200.

**[0191]** In one embodiment, the width of an outer coupling lightguide in an array of coupling lightguides or both outer coupling lightguides in an array of coupling lightguides is wider than the average width of the inner or other coupling lightguides in the array. In another embodiment, the width of an outer coupling lightguide in an array of coupling lightguides or both outer coupling lightguides in an array of coupling lightguides is wider than all of the inner or other coupling lightguides in the array. In a further embodiment, the width of an outer coupling lightguide in an array of coupling lightguides or both outer coupling lightguides in an array of coupling lightguides is wider than the average width of the inner or other coupling lightguides in the array by an amount substantially greater than the thickness of the inner or other coupling lightguides in the array when they are stacked in a manner to receive light from a light source at the input surface. In a further embodiment, the ratio of the width of an outer coupling lightguide in an array of coupling lightguides or both outer coupling lightguides in an array of coupling lightguides to the average width of the inner or other coupling lightguides is one selected from the group: greater than 0.5, greater than 0.8, greater than 1, greater than 1.5, greater than 2, greater than 3, between 0.5 and 3, between 0.8 and three, between 1 and 3, between 1 and 5, between 1 and 10. In another embodiment, the wide outer coupling lightguide on one side of an array allows the region of the coupling lightguide extending past the other coupling lightguides in the width direction to be folded toward the lateral edges of the other coupling lightguides to provide a protective barrier, such as a low contact area cover, from dust, TIR frustration light out-coupling, scratches, etc. In another embodiment, the extended coupling lightguide region may be extended around one or more selected from the group: the lateral edges of one or more coupling lightguides on one side, the lateral edges and one surface of the bottom coupling lightguide in the array, the lateral edges on opposite sides of one or more coupling lightguides, the lateral edges on opposite sides of the inner or other coupling lightguides in the array, the lateral edges on opposite sides of the inner or other coupling lightguides in the array, and the outer surface of the other end coupling lightguide in the array. For example, in one embodiment, an array of 10 coupling lightguides comprising 9 coupling lightguides with a width of 10 millimeters are arranged stacked and aligned at one lateral edge above an outer 10<sup>th</sup> coupling light-

guide with a width of 27 millimeters, wherein each coupling lightguide is 0.2 millimeters thick. In this embodiment, the 17 mm region of the outer coupling lightguide extending beyond the edges of the stacked 9 coupling lightguides is wrapped around the stack of 9 coupling lightguides and is affixed in place in an overlapping manner with itself (by adhesive or a clamping mechanism, for example) to protect the inner coupling lightguides. In another embodiment, a stacked array of coupling lightguides comprises 2 outer coupling lightguides with widths of 15 millimeters between in 8 coupling lightguides with widths of 10 millimeters wherein each coupling lightguide is 0.4 millimeters thick. In this embodiment, the top outer coupling lightguide is folded alongside the lateral edges on one side of the stacked array of coupling lightguides and the bottom outer coupling lightguide is folded alongside the opposite lateral edges on the opposite side of the stacked array of coupling lightguides. In this embodiment, each folded section contributes to the protection of the lateral edges of the coupling lightguides. In another embodiment, a low contact area film is placed between the lateral edges of the coupling lightguide and the folded section. In another embodiment, the folded section comprises low contact area surface features such that it provides protection without significantly coupling light from the lateral and/or surface areas of the coupling lightguides. In another embodiment, a coupling lightguide comprises an adhesive disposed between two regions of the coupling lightguide such that it is adhered to itself and wrapping around a stack of coupling lightguides.

#### GAP between the Coupling Lightguides

**[0192]** In one embodiment, two or more coupling lightguides comprise a gap between the lightguides in the region where they connect to the lightguide region or light mixing region. In another embodiment, the lightguides are formed from a manufacturing method wherein gaps between the lightguides are generated. For example, in one embodiment, the lightguides are formed by die cutting a film and the coupling lightguides have a gap between each other. In one embodiment, the gap between the coupling lightguides is greater than one selected from the group: 0.25, 0.5, 1, 2, 4, 5 and 10 millimeters. If the gap between the coupling lightguides is very large relative to the coupling lightguide width, then the uniformity of the light emitting region may be reduced (with respect to luminance or color uniformity) if the light mixing region is not sufficiently long in a direction parallel to the optical axis of the light propagating in the lightguide because a side of the lightguide has regions (the gap regions) where light is not entering the lightguide region. In one embodiment, a lightguide comprises two lightguides wherein the average of the width of the two coupling lightguides divided by the width of the gap between the coupling lightguides at the region where the coupling lightguides join the light mixing region or lightguide region is greater than one selected from the group: 1, 1.5, 2, 4, 6, 10, 20, 40, and 50. In another embodiment, the lightguide comprises large gaps between the coupling lightguides and a sufficiently long light mixing region to provide the desired level of uniformity. In another embodiment, a lightguide comprises two lightguides wherein the width of the gap between the coupling lightguides divided by the average of the width of the two coupling lightguides at the region where the coupling lightguides join the light mixing region or lightguide region is greater than one selected from the group: 1, 1.5, 2, 4, 6, 10, 20, 40, and 50.

#### Shaped or Tapered Coupling Lightguides

**[0193]** The width of the coupling lightguides may vary in a predetermined pattern. In one embodiment, the width of the

coupling lightguides varies from a large width in a central coupling lightguide to smaller width in lightguides further from the, central coupling lightguide as viewed when the light input edges of the coupling lightguides are disposed together to form a light input surface on the light input coupler. In this embodiment, a light source with a substantially circular light output aperture can couple into the coupling lightguides such that the light at higher angles from the optical axis are coupled into a smaller width strip such that the uniformity of the light emitting surface along the edge of the lightguide or lightguide region and parallel to the input edge of the lightguide region disposed to receive the light from the coupling lightguides is greater than one selected from the group: 60%, 70%, 80%, 90% and 95%.

**[0194]** Other shapes of stacked coupling lightguides can be envisioned, such as triangular, square, rectangular, oval, etc. that provide matched input areas to the light emitting surface of the light source. The widths of the coupling lightguides may also be tapered such that they redirect a portion of light received from the light source. The lightguides may be tapered near the light source, in the area along the coupling lightguide between the light source and the lightguide region, near the lightguide region, or some combination thereof.

**[0195]** In some embodiments, one light source will not provide sufficient light flux to enable the desired luminance or light output profile desired for a particular light emitting device. In this example, one may use more than one light input coupler and light source along the edge or side of a lightguide region or lightguide mixing region. In one embodiment, the average width of the coupling lightguides for at least one light input coupler are in a first width range of one selected from the group: 1-3, 1.01-3, 1.01-4, 0.7-1.5, 0.8-1.5, 0.9-1.5, 1-2, 1.1-2, 1.2-2, 1.3-2, 1.4-2, 0.7-2, 0.5-2, and 0.5-3 times the largest width of the light output surface of the light source in the direction of the lightguide coupler width at the light input surface.

**[0196]** In one embodiment, one or more coupling lightguides are tapered to a wider width in the region of the coupling lightguides adjacent the lightguide region or light mixing region. By tapering outward, the light from the coupling lightguides can expand into a wider spatial region before entering into the lightguide region (or other region) of the film. This can improve the spatial uniformity near the side of light input. Also, in this embodiment, by tapering the coupling lightguides outward, fewer coupling lightguides are needed to illuminate the side of the lightguide region. In one embodiment, the tapered coupling lightguides enable using fewer coupling lightguides that permit a thicker lightguide, a smaller output area light source, or use more than one stack of coupling lightguides with a particular light source. In one embodiment, the ratio of the average width of the coupling lightguides over their length to the width at the region where they couple light into the light mixing region or lightguide region is less than one selected from the group: 1, 0.8, 0.7, 0.6, 0.5, 0.4, 0.3, 0.2, and 0.1. In another embodiment, the ratio of the width of the coupling lightguides at the light input surface to the width at the region where they couple light into the light mixing region or lightguide region is less than one selected from the group: 1, 0.8, 0.7, 0.6, 0.5, 0.4, 0.3, 0.2, and 0.1.

**[0197]** In one embodiment, the coupling lightguide dimensional ratio, the ratio of the width of the coupling lightguide (the width is measured as the average dimension orthogonal to the general direction of propagation within the coupling lightguide toward the light mixing region, lightguide, or light-

guide region) to the thickness of the coupling lightguide (the thickness is the average dimension measured in the direction perpendicular to the propagating plane of the light within the coupling lightguide) is greater than one selected from the group: 5:1, 10:1, 15:1, 20:1, 25:1, 30:1, 40:1, 50:1, 60:1, 70:1, and 100:1. In one embodiment, the thickness of the coupling lightguide is less than 600 microns and the width is greater than 10 millimeters. In one embodiment, the thickness of the coupling lightguide is less than 400 microns and the width is greater than 3 millimeters. In a further embodiment, the thickness of the coupling lightguide is less than 400 microns and the width is greater than 10 millimeters. In another embodiment, the thickness of the coupling lightguide is less than 300 microns and the width is less than 10 millimeters. In another embodiment, the thickness of the coupling lightguide or light transmitting film is less than 200 microns and the width is less than 20 millimeters. Imperfections at the lateral edges of the coupling lightguides (deviations from perfect planar, flat surfaces due to the cutting of strips, for example) can increase the loss of light through the edges or surfaces of the coupling lightguides. By increasing the width of the coupling lightguides, one can reduce the effects of edge imperfections since the light within the coupling lightguide bounces (reflects) less off of the later edge surfaces (interacts less with the surface) in a wider coupling lightguide than a narrow coupling lightguide for a give range of angles of light propagation. The width of the coupling lightguides is a factor affecting the spatial color or luminance uniformity of the light entering the lightguide region, light mixing region, or lightguide, and when the width of the coupling lightguide is large compared to the width (in that same direction) of the light emitting region, then spatially non-uniform regions can occur.

**[0198]** In another embodiment, the ratio of width of the light emitting surface area disposed to receive at least 10% of the light emitted from a grouping of coupling lightguides forming a light input coupler in a direction parallel to the width of the coupling lightguides to the average width of the coupling lightguides is greater than one selected from the group: 5:1, 15:1, 20:1, 25:1, 30:1, 40:1, 50:1, 60:1, 70:1, 100:1, 150:1, 200:1, 300:1, 500:1, and 1000:1. In another embodiment, the ratio of the total width of the total light emitting surface disposed to receive the light emitted from all of the coupling lightguides directing light toward the light emitting region or surface along the width to the average coupling lightguide width is greater than one selected from the group: 5:1, 15:1, 20:1, 25:1, 30:1, 40:1, 50:1, 60:1, 70:1, 100:1, 150:1, 200:1, 300:1, 500:1, and 1000:1.

**[0199]** In one embodiment, the width of the coupling lightguide is greater than one of the following: 1.1, 1.2, 1.3, 1.5, 1.8, 2, 3, 4, and 5 times the width of the light output surface of the light source disposed to couple light into the coupling lightguide. In another embodiment, the larger coupling lightguide width relative to the width of the light output surface of the light source allows for the a higher degree of collimation (lower angular full-width at half maximum intensity) by the light collimating edges of the coupling lightguides.

#### Light Turning Edges of the Coupling Lightguides

**[0200]** In one embodiment, one or more coupling lightguides have an edge shape that optically turns by total internal reflection a portion of light within the coupling lightguide such that the optical axis of the light within the coupling lightguide is changed from a first optical axis angle to a second optical axis angle different than the first optical axis

angle. More than one edge of one or more coupling lightguides may have a shape or profile to turn the light within the coupling lightguide and the edges may also provide collimation for portions of the light propagating within the coupling lightguides. For example, in one embodiment, one edge of a stack of coupling lightguides is curved such that the optical axis of the light propagating within the lightguide is rotated by 90 degrees. In one embodiment, the angle of rotation of the optical axis by one edge of a coupling lightguide is greater than one of the following: 10 degrees, 20 degrees, 40 degrees, 45 degrees, 60 degrees, 80 degrees, 90 degrees, and 120 degrees. In another embodiment, the angle of rotation of the optical axis by more than one edge region of a coupling lightguide is greater than one of the following: 10 degrees, 20 degrees, 40 degrees, 45 degrees, 60 degrees, 80 degrees, 90 degrees, 120 degrees, 135 degrees, and 160 degrees. By employing more than one specifically curved edge, the light may be rotated to a wide range of angles. In one embodiment, the light within the coupling lightguide is redirected in a first direction (+theta direction) by a first edge profile and rotated in a section direction (+theta 2) by a second edge profile. In another embodiment, the light within the coupling lightguide is redirected from a first direction to a second direction by a first edge profile and rotated back toward the first direction by a second edge profile region further along the coupling lightguide. In one embodiment, the light turning edges of the coupling lightguide are disposed in one or more regions including, without limitation, near the light source, near the light input surface of the coupling lightguides, near the light mixing region, near the lightguide region, between the light input surface of the coupling lightguides, near the light mixing region, near the region between the coupling lightguides and the lightguide region, and near the lightguide region.

**[0201]** In one embodiment, one lateral edge near the light input surface of the coupling lightguide has a light turning profile and the opposite lateral edge has a light collimating profile. In another embodiment, one lateral edge near the light input surface of the coupling lightguide has a light collimating profile followed by a light turning profile (in the direction of light propagate away from the light input surface within the coupling lightguide).

**[0202]** In one embodiment, two arrays of stacked coupling lightguides are disposed to receive light from a light source and rotate the optical axis of the light into two different directions. In another embodiment, a plurality of coupling lightguides with light turning edges may be folded and stacked along an edge of the lightguide region such that light from a light source oriented toward the lightguide region enters the stack of folded coupling lightguides, the light turning edges redirect the optical axis of the light to a first direction substantially parallel to the edge and the folds in the stacked coupling lightguides redirect the light to a direction substantially toward the lightguide region. In this embodiment, a second array of stacked, folded coupling lightguides can be stacked above or below (or interleaved with) the first array of stacked, folded coupling lightguides along the same edge of the lightguide region such that light from the same light source oriented toward the lightguide region enters the second array of stacked, folded coupling lightguides, the light turning edges of the second array of stack folded coupling lightguides redirect the optical axis of the light to a second direction substantially parallel to the edge (and opposite the first direction) and the folds in the stacked coupling lightguides redirect the light to a direction substantially toward the

lightguide region. In another embodiment, the coupling lightguides from two different arrays along an edge of a lightguide region may be alternately stacked upon each other. The stacking arrangement may be predetermined, random, or a variation thereof. In another embodiment, a first stack of folded coupling lightguides from one side of a non-folded coupling lightguide are disposed adjacent one surface of the non-folded coupling lightguide and a second stack of folded coupling lightguides from the other side of the non-folded coupling lightguide are disposed adjacent the opposite surface of the non-folded coupling lightguide. In this embodiment, the non-folded coupling lightguide may be aligned to receive the central (higher flux) region of the light from the light source when there are equal numbers of coupling lightguides on the top surface and the bottom surface of the non-folded coupling lightguide. In this embodiment, the non-folded coupling lightguide may have a higher transmission (less light loss) since there are no folds or bends, thus more light reaches the lightguide region.

**[0203]** In another embodiment, the light turning edges of one or more coupling lightguides redirects light from two or more light sources with first optical axis angles to light having a second optical axis angles different than the first optical axis angles. In a further embodiment, the light turning edges of one or more coupling lightguides redirects a first portion of light from a light source with a first optical axis angle to a portion of light having second optical axis angle different than the first optical axis angle. In another embodiment, the light turning edges of one or more coupling lightguides redirects light from a first light source with a first optical axis angle to light having a second optical axis angle different from the first optical axis angle and light from a second light source with a third optical axis angle to light having a fourth optical axis angle different from the third optical axis angle.

**[0204]** In one embodiment, the light turning profile of one or more edges of a coupling lightguide has a curved shape when viewed substantially perpendicular to the film. In another embodiment, the curved shape has one or more conic, circular arc, parabolic, hyperbolic, geometric, parametric, or other algebraic curve regions. In another embodiment, the shape of the curve is designed to provide improved transmission through the coupling lightguide by minimizing bend loss (increased reflection) for a particular light input profile to the coupling lightguide, light input surface, light profile modifications before the curve (such as collimating edges for example), refractive indexes for the wavelengths of interest for the coupling lightguide material, surface finish of the edge, and coating or cladding type at the curve edge (low refractive index material, air, or metallized for example). In one embodiment, the light lost from the light turning profile of one or more edge regions of the coupling lightguide is less than one of the following: 50%, 40%, 30%, 20%, 10%, and 5%.

#### Vertical Light Turning Edges

**[0205]** In one embodiment, the vertical edges of the coupling lightguides (the edges tangential to the larger film surface) or the core regions of the coupling lightguides have a non-perpendicular cross-sectional profile that rotates the optical axis of a portion of incident light. In one embodiment, the vertical edges of one or more coupling lightguides or core regions of the coupling lightguides comprise a curved edge. In another embodiment, the vertical edges of one or more coupling lightguides or core regions comprise an angled edge

wherein the angle to the surface normal of the coupling lightguide is greater than one of the following: 10 degrees, 20 degrees, 30 degrees, 40 degrees, 50 degrees and 60 degrees. In one embodiment, the use of vertical light turning edges of the core regions or coupling lightguides allows light to enter into the coupling lightguides from the coupling lightguide film surface where it is typically easier to obtain an optical finish as it can be the optically smooth surface of a film. In another embodiment, the coupling lightguides (or core regions of the coupling lightguides) are brought in contact and the vertical edges are cut at an angle to the surface normal. In one embodiment, the angled cut creates a smooth, continuous, angled vertical light turning edge on the edges of the coupling lightguides. In another embodiment, the angled, curved, or combination thereof vertical light turning edges are obtained by one or more of the following: laser cutting, polishing, grinding, die cutting, blade cutting or slicing, and hot blade cutting or slicing. In one embodiment, the vertical light turning edges are formed when the coupling lightguides are cut into the lightguide film and the coupling lightguides are aligned to form a vertical light turning edge.

**[0206]** In another embodiment, the light input surface of the coupling lightguides is the surface of one or more coupling lightguides and the surface comprises one or more surface relief profiles (such as an embossed Fresnel lens, microlens array, or prismatic structures) that turns, collimates or redirects a portion of the light from the light source. In a further embodiment, a light collimating element, light turning optical element, or light coupling optical element is disposed between the light source and the light input film surface of the coupling lightguide (non-edge surface). In one embodiment, the light input film surface is the surface of the cladding region or the core region of the coupling lightguide. In a further embodiment, the light collimating optical element, light turning optical element, or light coupling optical element is optically coupled to the core region, cladding region, or intermediate light transmitting region between the optical element and the coupling lightguide.

#### Vertical Light Collimating Edges

**[0207]** In one embodiment, the vertical edges of the coupling lightguide (the edges tangential to the larger film surface) or the core regions of the coupling lightguides have a non-perpendicular cross-sectional profile that collimate a portion of incident light. In one embodiment, the vertical edges of one or more coupling lightguides or core regions of the coupling lightguides comprise a curved edge that collimates a portion of incident light. In another embodiment, the vertical edges of one or more coupling lightguides or core regions comprise an angled edge wherein the angle to the surface normal of the coupling lightguide is greater than one of the following: 10 degrees, 20 degrees, 30 degrees, 40 degrees, 50 degrees and 60 degrees.

#### Non-Folded Coupling Lightguide

**[0208]** In a further embodiment, the film-based lightguide comprises a non-folded coupling lightguide disposed to receive light from the light input surface and direct light toward the lightguide region without turning the light. In one embodiment, the non-folded lightguide is used in conjunction with one or more light turning optical elements, light coupling optical elements, coupling lightguides with light turning edges, or coupling lightguides with collimating edges.

For example, a light turning optical element may be disposed above or below a non-folded coupling lightguide such that a first portion of light from a light source substantially maintains the direction of its optical axis while passing through the non-folded coupling lightguide and the light from the source received by the light turning optical element is turned to enter into a stacked array of coupling lightguides. In another embodiment, the stacked array of coupling lightguides comprises folded coupling lightguides and a non-folded coupling lightguide.

**[0209]** In another embodiment, the non-folded coupling lightguide is disposed near an edge of the lightguide. In one embodiment, the non-folded coupling lightguide is disposed in the middle region of the edge of the lightguide region. In a further embodiment, the non-folded coupling lightguide is disposed along a side of the lightguide region at a region between the lateral sides of the lightguide region. In one embodiment, the non-folded coupling lightguide is disposed at various regions along one edge of a lightguide region wherein a plurality of light input couplers are used to direct light into the side of a lightguide region.

**[0210]** In another embodiment, the folded coupling lightguides have light collimating edges, substantially linear edges, or light turning edges. In one embodiment, at least one selected from the group: array of folded coupling lightguides, light turning optical element, light collimating optical element, and light source are physically coupled to the non-folded coupling lightguide. In another embodiment, folded coupling lightguides are physically coupled to each other and to the non-folded coupling lightguide by a pressure sensitive adhesive cladding layer and the thickness of the unconstrained lightguide film comprising the light emitting region and the array of coupling lightguides is less than one of the following: 1.2 times, 1.5 times, 2 times, and 3 times the thickness of the array of coupling lightguides. By bonding the folded coupling lightguides only to themselves, the coupling lightguides (when unconstrained) typically bend upward and increase the thickness of the array due to the folded coupling lightguides not being physically coupled to a fixed or relatively constrained region. By physically coupling the folded coupling lightguides to a non-folded coupling lightguide, the array of coupling lightguides is physically coupled to a separate region of the film which increases the stability and thus reduces the ability of the elastic energy stored from the bend to be released.

**[0211]** In one embodiment, the non-folded coupling lightguide comprises one or more of the following: light collimating edges, light turning edges, angled linear edges, and curved light redirecting edges. The non-folded coupling lightguide or the folded coupling lightguides may comprise curved regions near bend regions, turning regions, or collimating regions such that stress (such as resulting from torsional or lateral bending) does not focus at a sharp corner and increase the likelihood of fracture. In another embodiment, curved regions are disposed where the coupling lightguides join with the lightguide region or light mixing region of the film-based lightguide.

**[0212]** In another embodiment, at least one selected from the group: non-folded coupling lightguide, folding coupling lightguide, light collimating element, light turning optical element, light redirecting optical element, light coupling optical element, light mixing region, lightguide region, and cladding region of one or more elements is physically coupled to the relative position maintaining element. By physically cou-

pling the coupling lightguides directly or indirectly to the relative position maintaining element, the elastic energy stored from the bend in the coupling lightguides held within the coupling lightguides and the combined thickness of the unconstrained coupling lightguides (unconstrained by an external housing for example) is reduced.

#### Interior Light Directing Edge

**[0213]** In one embodiment, the interior region of one or more coupling lightguides comprises an interior light directing edge. The interior light redirecting edge may be formed by cutting or otherwise removing an interior region of the coupling lightguide. In one embodiment, the interior light directed edge redirects a first portion of light within the coupling lightguide. In one embodiment, the interior light redirecting edges provide an additional level of control for directing the light within the coupling lightguides and can provide light flux redistribution within the coupling lightguide and within the lightguide region to achieve a predetermined light output pattern (such as higher uniformity or higher flux output in a specific region).

#### Cavity Region withing the Coupling Lightguides

**[0214]** In one embodiment, one or more coupling lightguides or core regions of coupling lightguides comprises at least one cavity. In another embodiment, the cavity is disposed to receive the light source and the vertical edges of the core regions of the coupling lightguides are vertical light collimating optical edges. In one embodiment, a higher flux of light is coupled within the coupling lightguides with a cavity in at least one coupling lightguide than is coupled into the coupling lightguides without the cavity. This may be evaluated, for example, by measuring the light flux out of the coupling lightguides (when cut) or out of the light emitting device with an integrating sphere before and after filling the cavity with a high transmittance (>90% transmittance) light transmitting material (with the light source disposed adjacent the corresponding surface of the material) that is index-matched with the core region. In another embodiment, the cavity region provides registration or alignment of the coupling lightguides with the light source and increased light flux coupling into the coupling lightguides. In one embodiment, an array of coupling lightguides with vertical light collimating edges and a cavity alleviates the need for a light collimating optical element.

#### Coupling Lightguides Comprising Coupling Lightguides

**[0215]** In one embodiment, at least one coupling lightguide comprises a plurality of coupling lightguides. For example, a coupling lightguide may be further cut to comprise a plurality of coupling lightguides that connect to the edge of the coupling lightguide. In one embodiment, a film of thickness T comprises a first array of N number of coupling lightguides, each comprising a sub-array of M number of coupling lightguides. In this embodiment, the first array of coupling lightguides is folded in a first direction such that the coupling lightguides are aligned and stacked, and the sub-array of coupling lightguides is folded in a second direction such that the coupling lightguides are aligned and stacked. In this embodiment, the light input edge surface comprising the sub-array of coupling lightguides has a width the same as each of the more narrow coupling lightguides and the light input surface has a height, H, defined by  $H=T \times N \times M$ . This can, for example, allow for the use of a thinner lightguide film to be

used with a light source with a much larger dimension of the light output surface. In one embodiment, thin film-based lightguides are utilized, for example, when the film-based lightguide is the illuminating element of a frontlight disposed above a touchscreen in a reflective display. A thin lightguide in this embodiment provides a more accurate, and responsive touchscreen (such as with capacitive touchscreens for example) when the user touches the lightguide film. Alternatively, a light source with a larger dimension of the light output surface may be used for a specific lightguide film thickness.

**[0216]** Another advantage of using coupling lightguides comprising a plurality of coupling lightguides is that the light source can be disposed within the region between the side edges of the lightguide region and thus not extend beyond an edge of the display or light emitting region when the light source and light input coupler are folded behind the light emitting surface, for example.

#### Number of Coupling Lightguides in a Light Input Coupler

**[0217]** In one embodiment, the total number of coupling lightguides, NC, in a direction parallel to the light entrance edge of the lightguide region or lightguide receiving light from the coupling lightguide is

$$NC=MF*W_{LES}/w,$$

where  $W_{LES}$  is the total width of the light emitting surface in the direction parallel to the light entrance edge of the lightguide region or lightguide receiving light from the coupling lightguide, w is the average width of the coupling lightguides, and MF is the magnification factor. In one embodiment, the magnification factor is one selected from the group: 0.7, 0.8, 0.9, 1, 1.1, 1.2, 1.3, 1.4, 0.7-1.3, 0.8-1.2, and 0.9-1.1. In another embodiment, the number of coupling lightguides in a light input coupler or the total number of coupling lightguides in the light emitting device is selected from a group of 2, 3, 4, 5, 6, 8, 10, 11, 20, 30, 50, 70, 80, 90, 100, 2-50, 3-50, 4-50, 2-500, 4-500, greater than 10, greater than 20, greater than 30, greater than 40, greater than 50, greater than 60, greater than 70, greater than 80, greater than 90, greater than 100, greater than 120, greater than 140, greater than 200, greater than 300, greater than 400, greater than 500.

#### Coupling Lightguides Directed into more than One Light Input Surface

**[0218]** In a further embodiment, the coupling lightguides collectively do not couple light into the light mixing region, lightguide, or light mixing region in a contiguous manner. For example, every other coupling lightguide may be cut out from the film-based lightguide while still providing strips or coupling lightguides along one or more edges, but not continuously coupling light into the lightguide regions. By using fewer lightguides, the collection of light input edges may be reduced in size. This reduction in size, for example, can be used to combine multiple sets of coupling lightguides optically coupled to different regions of the same lightguide or a different lightguide, better match the light input surface size to the light source size, use a smaller light source, or use a thicker lightguide film with a particular light source where the dimension of the set of contiguous coupling lightguides in the thickness direction would be one selected from the group: 10%, 20%, 40%, 50%, and 100% greater than light emitting surface of the light source in the thickness direction when disposed to couple light into the light input surface.



**[0219]** In a further embodiment, coupling lightguides from a first region of a lightguide have light input edges collected into two or more light input surfaces. For example, the odd number coupling lightguides may be directed to a first white light source and the even number coupling lightguides may be coupled to a red, green, and blue light source. In another embodiment, the coupling lightguides from a first region of a lightguide are coupled to a plurality of white light sources to reduce visibility of color variations from the light source. For example, the even number coupling lightguides may couple light from a white light source with a first color temperature and the odd number coupling lightguides may couple light from a white light source with a second color temperature higher than the first such that the color non-uniformity,  $\Delta u'v'$ , along a direction parallel to an edge of the lightguide region along the light emitting surface is less than one selected from the group: 0.2, 0.1, 0.05, 0.01, and 0.004.

**[0220]** Similarly, three or more light input surfaces may also be used to couple light from 1, 2, 3 or more light sources. For example, every alternating first, second, and third coupling lightguide from a first region of a lightguide are directed to a first, second, and third light source of the same or different colors.

**[0221]** In a further embodiment, coupling lightguides from a first region of a lightguide have light input edges collected into two or more light input surfaces disposed to couple light into the lightguide for different modes of operation. For example, the first light input surface may be coupled to at least one light source suitable for daylight compatible output and the second light input surface may be coupled to at least one light source for NVIS compatible light output.

**[0222]** The order of the coupling lightguides directed to more than one light input surface do not need to be alternating and may be of any predetermined or random configuration. For example, the coupling lightguides from the top and bottom region of the lightguide may be directed to a different light input surface than the middle region. In a further embodiment, the coupling lightguides from a region of the lightguide are disposed together into a plurality of light input surfaces, each comprising more than one light input edge, arranged in an array, disposed to couple light from a collection of light sources, disposed within the same housing, disposed such that the light input surfaces are disposed adjacent each other, disposed in an order transposed to receive light from a collection of light sources, disposed in a non-contiguous arrangement wherein neighboring light input surfaces do not couple light into neighboring regions of the lightguide, lightguide region, or light mixing region.

**[0223]** In a further embodiment, a plurality of sets of coupling lightguides are arranged to provide a plurality of sets of light input surface along the same side, edge, the back, the front or within the same housing region of the light emitting device wherein the plurality of light input surfaces are disposed to receive light from one or a plurality of LEDs.

#### Order of Coupling Lightguides

**[0224]** In one embodiment, the coupling lightguides are disposed together at a light input edge forming a light input surface such that the order of the strips in a first direction is the order of the coupling lightguides as they direct light into the lightguide or lightguide region. In another embodiment, the coupling lightguides are interleaved such that the order of the strips in a first direction is not the same as the order of the coupling lightguides as they direct light into the lightguide or

lightguide region. In one embodiment, the coupling lightguides are interleaved such that at least one coupling lightguide receiving light from a first light source of a first color is disposed between two coupling lightguides at a region near the lightguide region or light mixing region that receive light from a second light source with a second color different from the color of the first light source. In one embodiment, the color non-uniformity,  $\Delta u'v'$ , along a direction parallel to the edge of the lightguide region along the light emitting surface is less than one selected from the group: 0.2, 0.1, 0.05, 0.01, and 0.004. In another embodiment, the coupling lightguides are interleaved such that at least one pair of coupling lightguides adjacent to each other at the output region of the light input coupler near the light mixing region, lightguide, or lightguide region, are not adjacent to each other near the input surface of the light input coupler. In one embodiment, the interleaved coupling lightguides are arranged such that the non-uniform angular output profile is made more uniform at the output of the light input coupler by distributing the coupling lightguides such that output from the light input coupler does not spatially replicate the angular non-uniformity of the light source. For example, the strips of a light input coupler could alternate among four different regions of the lightguide region as they are combined at the light input surface so that the middle region would not have very high luminance light emitting surface region that corresponds to the typically high intensity from a light source at 0 degrees or along its optical axis.

**[0225]** In another embodiment, the coupling lightguides are interleaved such that at least one pair of coupling lightguides adjacent to each other near the light mixing region, lightguide, or lightguide region, do not receive light from at least one of the same light source, the same light input coupler, and the same mixing region. In another embodiment, the coupling lightguides are interleaved such that at least one pair of coupling lightguides adjacent to each other near a light input surface do not couple light to at least one of the same light input coupler, the same light mixing region, the same lightguide, the same lightguide region, the same film, the same light output surface. In another embodiment, the coupling lightguides are interleaved at the light input surface in a two-dimensional arrangement such that at least two neighboring coupling lightguides in a vertical, horizontal or other direction at the input surface do not couple light to a neighboring region of at least one selected from the group: the same light input coupler, the same light mixing region, the same lightguide, the same lightguide region, the same film, and the same light output surface.

**[0226]** In a further embodiment, coupling lightguides optically coupled to the lightguide region, light mixing region, or light emitting region near a first input region are arranged together in a holder disposed substantially along or near a second edge region which is disposed along an edge direction greater than one selected from the group: 30 degrees, 40 degrees, 50 degrees, 60 degrees, 70 degrees, 80 degrees and 85 degrees to first edge region. For example, light input couplers may couple light from a first light source and coupling lightguide holder disposed along the bottom edge of a liquid crystal display and direct the light into the region of the lightguide disposed along a side of the display oriented about 90 degrees to the bottom edge of the display. The coupling lightguides may direct light from a light source disposed along the top, bottom, or both into one or more sides of a

display such that the light is substantially propagating parallel to the bottom and top edges within the lightguide region.

#### Coupling Lightguides Bonded to the Surface of a Lightguide Region

**[0227]** In one embodiment, the coupling lightguides are not segmented (or cut) regions of the same film which comprises the lightguide or lightguide region. In one embodiment, the coupling lightguides are formed and physically or optically attached to the lightguide, light mixing region, or lightguide region using at least one selected from the group: optical adhesive, bonding method (solvent welding, thermally bonding, ultrasonic welding, laser welding, hot gas welding, free-hand welding, speed tip welding, extrusion welding, contact welding, hot plate welding, high frequency welding, injection welding, friction welding, spin welding, welding rod), and adhesive or joining techniques suitable for polymers. In one embodiment, the coupling lightguides are formed and optically coupled to the lightguide, mixing region, or lightguide region such that a significant portion of the light from the coupling lightguides is transferred into a waveguide condition within the mixing region, lightguide region, or lightguide. The coupling lightguide may be attached to the edge or a surface of the light mixing region, lightguide region, or lightguide. In one embodiment, the coupling lightguides are disposed within a first film wherein a second film comprising a lightguide region is extruded onto a region of the first film such that the coupling lightguides are optically coupled to the lightguide region. In another embodiment, the coupling lightguides are tapered in a region optically coupled to the lightguide.

**[0228]** By separating out the production of the coupling lightguides with the production of the lightguide region, materials with different properties may be used for each region such as materials with different optical transmission properties, flexural modulus of elasticity, impact strength (Notched Izod), flexural rigidity, impact resistance, mechanical properties, physical properties, and other optical properties. In one embodiment, the coupling lightguides comprise a material with a flexural modulus less than 2 gigapascals and the lightguide or lightguide region comprises a material with a flexural modulus greater than 2 gigapascals measured according to ASTM D790. In one embodiment, the lightguide is a relatively stiff polycarbonate material and the coupling lightguides comprise a flexible elastomer or polyethylene. In another embodiment, the lightguide is an acrylic material and the coupling lightguides comprise a flexible fluoropolymer, elastomer or polyethylene. In one embodiment, the average thickness of the lightguide region or lightguide is more than 0.1 mm thicker than the average thickness of at least one coupling lightguide.

**[0229]** In one embodiment, at least one coupling lightguide is optically coupled to at least one selected from the group: a surface, edge, or interior region, of an input light coupler, light mixing region, lightguide region, and lightguide. In another embodiment, a film comprising parallel linear cuts along the a direction of a film is bonded to a surface of a film in the extrusion process such that the strips are optically coupled to the lightguide film and the cut regions can be cut in the transverse direction to “free” the strips so that they can be brought together to form a light input surface of a light input coupler.

#### Coupling Lightguides Bonded to each Other

**[0230]** In one embodiment, one or more coupling lightguides substantially bond to themselves in one or more regions. In another embodiment, the array of coupling lightguides are optically coupled to each other in at least one selected from the group: 5%, 10%, 20%, 30%, 40%, 50%, 60%, 70%, and 80% of a region where the coupling lightguides are adjacent each other. In one embodiment, the coupling lightguides are optically coupled to each other by a natural surface adhesion between adjacent coupling lightguides in one or more regions near the light input surface, within the array of coupling lightguides, along the length of and edge of the lightguide or lightguide region, or behind the lightguide region. In another embodiment, two or more coupling lightguides are optically coupled, operatively coupled, or adhered to each other in one or more regions.

#### Coupling Lightguides Ending within the Lightguide Region

**[0231]** In one embodiment, a film comprising parallel linear cuts along the machine direction of a film is guided between two extrusion layers or coatings such that the ends of the strips are effectively inside the other two layers or regions. In another embodiment, one or more edges of the coupling lightguide are optically couple to a layer or coating (such as an adhesive) within a lightguide to reduce scattering and increase light coupling into the lightguide. This could be done in a single step or in sequential steps. By having strips or coupling lightguides terminate within a lightguide, lightguide region, or light mixing region, there are fewer back reflections from the air-end edge interface as there would be on a simple surface bonding because the edge would effectively be optically coupled into the volume of the light transmitting material forming the light mixing region, lightguide region or lightguide (assuming the material near the edge could flow or deform around the edge or another material is used (such as an adhesive) to promote the optical coupling of the edge and potentially surfaces.

#### Strip or Coupling Lightguide Registration or Securing Feature

**[0232]** In one embodiment, at least one strip near the central region of a light input coupler is used to align or guide the coupling strips or to connect the coupling lightguides to a lightguide or housing. In a fold-design wherein the coupling lightguides are folded toward the center of the light input coupler, a central strip or lightguide may not be folded to receive light from the light source due to geometrical limitations on the inability to fold the central strip or coupling lightguide. This central strip or coupling lightguide may be used for one selected from the group: aligning the light input coupler or housing to the strips (or lightguide), tightening the fold of the strips or coupling lightguide stack to reduce the volume, registering, securing or locking down the position of the light input coupler housing, provide a lever or arm to pull together components of a folding mechanism which bend or fold the coupling lightguides, coupling lightguides, lightguide or other element relative to one of the aforementioned elements.

#### TAB Region

**[0233]** In one embodiment, one or more of the strips or coupling lightguides comprises a tab or tab region that is used to register, align, or secure the location of the strip or coupling lightguide relative to the housing, folder, holder, lightguide, light source, light input coupler, or other element of the light

emitting device. In another embodiment, at least one strip or coupling lightguide comprises a pin, hole, cut-out, tab, or other feature useful for registering, aligning, or securing the location of the strip or coupling lightguide. In one embodiment, the tab region is disposed at a side of one or more light sources when the light source is disposed to couple light into a coupling lightguide. In a further embodiment, the tab region may be removed, by tearing for example, after the stacking of the coupling lightguides. For example, the coupling lightguides may have an opening or aperture cut within the coupling lightguides that align to form a cavity within which the light emitting region of the light source may be disposed such that the light from the light source is directed into the light input surfaces of the coupling lightguides. After physically constraining the coupling lightguides (by adhering them to each other or to another element or by mechanical clamping, alignment guide or other means for example), all or a portion of the tab region may be removed by tearing without reducing the optical quality of the light input surface disposed to receive light from the light source. In another embodiment, the tab region comprises one or more perforations or cut regions that promote the tearing or removal of the tab region along a predetermined path.

**[0234]** In another embodiment, the tab region or region of the coupling lightguides comprising registration or alignment openings or apertures are stacked such that the openings or apertures align onto a registration pin or post disposed on or physically coupled to the light turning optical element, light collimating optical element, light coupling element, light source, light source circuit board, relative position maintaining element, light input coupler housing, or other element of the light input coupler such that the light input surfaces of the coupling lightguides are aligned and disposed to receive light from the element or light source.

**[0235]** The tab region may comprise registration openings or apertures on either side of the openings or apertures forming the cavity in coupling lightguide such that registration pins assist in the aligning and relative positioning of the coupling lightguides. In another embodiment, one or more coupling lightguides (folded non-folded) comprise low light loss registration openings or apertures in a low light flux region. Low light loss registration openings or apertures in low light flux regions of the coupling lightguides are those wherein less than one of the following: 2%, 5%, 10% and 20% of the light flux from a light source reaches the opening or aperture directly or indirectly within a coupling lightguide. This can be measured by filling the openings or apertures with a black light absorbing material such as a black latex paint and measuring the loss in light output from the light emitting region using an integrating sphere.

**[0236]** In another embodiment, the tab regions of the coupling lightguides allow for the light input surface of the stacked array of coupling lightguides to be formed after stacking the coupling lightguides such that an improved optical finish of the light input surface can be obtained. For example, in one embodiment, the array of coupling lightguides is stacked with a tab region extended from the input region of the coupling lightguides. The stacked array is then cut in the tab region (and optionally mechanically, thermally, chemically or otherwise polished) to provide a continuous smooth input surface.

**Holding the Coupling Lightguide Position Relative to the Light Source or Optical Element**

**[0237]** In another embodiment, the tab region may be cut to provide a physically constraining mechanism for an optical

element or the light source. For example, in one embodiment, the tab region of the coupling lightguides comprises one or more arms or ridges such that when the coupling lightguides are stacked in an array, the arms or ridges form a constraining groove or cavity to substantially maintain the optical element or light source in at least one direction. In another embodiment, the stacked array of coupling lightguides form a cavity that allows an extended ridge of a light collimating optic to be positioned within the cavity such that the light collimating optic substantially maintains its position relative to the coupling lightguides. Various forms of grooves, ridges, interlocking shapes, pins, openings, apertures and other constraining shapes may be used with the optical element (such as the light turning optical element or light collimating optical element) or the light source (or housing of the light source) and the shape cut into the coupling lightguides to constrain the element or light source when placed into the interlocking shape.

**Extended Coupling Lightguides**

**[0238]** In one embodiment, the coupling lightguides are extended such that the coupling lightguides may be folded in an organized fashion by using a relative position maintaining element. By extending the coupling lightguides, the relative position and order of the coupling lightguides may be maintained during the aligning and stacking process such that the coupling lightguides may be stacked and aligned in an organized fashion. For example, in one embodiment, the coupling lightguides are extended with an inverted shape such that they are mirrored along a first direction. In one embodiment, the folding operation creates two stacked arrays of coupling lightguides which may be used to form two different light emitting devices or two illuminated regions illuminated by the same light source. In another embodiment, a first relative position maintaining element substantially maintains the relative position of the coupling lightguides near a first lightguide region and a second relative position maintaining element substantially maintains the relative position of the extended regions of the coupling lightguides (which may form the coupling lightguides of a second light emitting device or region).

**Varying Coupling Lightguide Thickness**

**[0239]** In one embodiment, at least one coupling lightguide or strip varies in the thickness direction along the path of the light propagating through the lightguide. In one embodiment, at least one coupling lightguide or strip varies in the thickness direction substantially perpendicular to the path of the light propagating through the lightguide. In another embodiment, the dimension of at least one coupling lightguide or strip varies in a direction parallel to the optical axis of the light emitting device along the path of the light propagating through the lightguide. In one embodiment, the thickness of the coupling lightguide increases as the light propagates from a light source to the light mixing region, lightguide, or lightguide region. In one embodiment, the thickness of the coupling lightguide decreases as the light propagates from a light source to the light mixing region, lightguide, or lightguide region. In one embodiment, the thickness of a coupling lightguide in a first region divided by the thickness of the coupling lightguide in a second region is greater than one selected from the group: 1, 2, 4, 6, 10, 20, 40, 60 and 100.

**Light Turning Optical Elements or Edges for Light Source Placement**

**[0240]** In one embodiment, the light turning optical elements or light turning coupling lightguide edges may be used

to position the light source on the same side of the lightguide region as the coupling lightguides. In another embodiment, the light turning optical elements or light turning coupling lightguide edges may be used to position the light source within the extended boundaries of the coupling lightguides such that the light source does not extend past an edge of the lightguide, light emitting region, edges of the display area, lightguide region or bevel. For example, a film-based lightguide with coupling lightguides folded along one edge may have angled edges or a region of the lightguide region not to be directly illuminated from a coupling lightguide in order to position the light source within the region bounded by the edges of the lightguide region. Alternatively, the stack of coupling lightguides along one edge may have light turning edges near the light source ends such that the light source can be disposed with light directed toward the lightguide region. This can allow the light to be turned and directed into the coupling lightguides and when the light source is folded behind the display, the light source does not extend past the outer display edges.

#### Light Mixing Region

**[0241]** In one embodiment, a light emitting device comprises a light mixing region disposed in an optical path between the light input coupler and the lightguide region. The light mixing region can provide a region for the light output from individual coupling lightguides to mix together and improve at least one of the spatial luminance uniformity, spatial color uniformity, angular color uniformity, angular luminance uniformity, angular luminous intensity uniformity or any combination thereof within a region of the lightguide or of the surface or output of the light emitting region or light emitting device. In one embodiment, the width of the light mixing region is selected from a range from 0.1 mm (for small displays) to more than 3.048 meters (for large billboards). In one embodiment, the light mixing region is the region disposed along an optical path near the end region of the coupling lightguides whereupon light from two or more coupling lightguides may inter-mix and subsequently propagate to a light emitting region of the lightguide. In one embodiment, the light mixing region is formed from the same component or material as at least one of the lightguide, lightguide region, light input coupler, and coupling lightguides. In another embodiment, the light mixing region comprises a material that is different than at least one selected from the group: lightguide, lightguide region, light input coupler, and coupling lightguides. The light mixing region may be a rectangular, square or other shaped region or it may be a peripheral region surrounding all or a portion of the light emitting region or lightguide region. In one embodiment, the surface area of the light mixing region of a light emitting device is one selected from the group: less than 1%, less than 5%, less than 10%, less than 20%, less than 30%, less than 40%, less than 50%, less than 60%, less than 70%, greater than 20%, greater than 30%, greater than 40% greater than 50%, greater than 60%, greater than 70%, greater than 80%, greater than 90%, 1-10%, 10-20%, 20-50%, 50-70%, 70-90%, 80-95% of the total outer surface area of the light emitting surface or the area of the light emitting surface from which light is emitted.

**[0242]** In one embodiment, a film-based lightguide comprises a light mixing region with a lateral dimension longer than a coupling lightguide width and the coupling lightguides do not extend from the entire edge region corresponding to the light emitting region of the lightguide. In one embodi-

ment, the width of the gap along the edge without a coupling lightguide is greater than one of the following: 1 times, 2 times, 3 times, or 4 times the average width of the neighboring coupling lightguides. In a further embodiment, the width of the gap along the edge without a coupling lightguide is greater than one of the following: 1 times, 2 times, 3 times, or 4 times the lateral width of the light mixing region. For example, in one embodiment, a film-based lightguide comprises coupling lightguides with a width of 2 centimeters disposed along a light mixing region that is 4 centimeters long in the lateral direction (such as can readily be the case if the light mixing region folds behind a reflective display for a film-based frontlight), except in a central region where there is a 2 centimeter gap without a coupling lightguide extension. In this embodiment, the light within the neighboring coupling lightguides may spread into the gap region of the light mixing region not illuminated by a coupling lightguide directly and mix together such that the light in the light emitting area is sufficiently uniform. In a further embodiment, a light mixing region comprises two or more gaps without coupling lightguides extending therefrom. In a further embodiment, a light mixing region comprises alternating gaps between the coupling lightguide extensions along an edge of a film-based lightguide.

#### Light Output Optical Element

**[0243]** In one embodiment, a light emitting device comprises a light output optical element disposed to receive light from a light source and couple the light into a film-based lightguide. In one embodiment, the light output optical element is light transmitting optical element that receives light from a light source and transmits light from the light source through a light transmitting region such that when optically coupled to a film-based lightguide, a portion of the light will propagate into the lightguide through a light receiving region and propagate under total internal reflection. In another embodiment, the light output optical element has an average or maximum thickness greater than 250 microns and is formed by injection molding, compression molding, thermoforming, casting, extrusion or other non-film-based polymer component forming method. In another embodiment, the light output optical element is not contiguous with the film-based lightguide comprising the light emitting region of the light emitting device when the element or the lightguide is formed. For example, the light output optical element may be a sheet of acrylic extruded to a thickness of 500 microns or 1 millimeter, an injection molded tapered optical lightguide, or a cross-linked cast lightguide cured with a region of the lightguide film embedded within the lightguide optical element. In another embodiment, for example, the light output optical element is an injection molded acrylic lightguide that substantially generates a line of light output and an edge or surface is optically coupled to a film-based lightguide. In a further embodiment, the light output optical element is an acrylic injection molded optical element and is optically coupled to a film-based lightguide comprising an acrylic or silicone core region. In the previous embodiment, the acrylic materials may be the same or comprise similar types of components, however, they are formed separately and one is not a contiguous extension of the other. In another embodiment, the region of the light output optical element through which light is transmitted from the light source into the film-based lightguide comprises at least one material that is not in the core lightguide layer of the light transmitting film-based

lightguide. In another embodiment, the light output optical element is tapered in the direction toward the light transmitting region or light extraction region of a film-based lightguide. In one embodiment, the light output optical element also serves another function within the light emitting device selected from the group: a housing, a housing component, a light turning optical element, a light collimating optical element, a light coupling optical element, an optical window, a relative position maintaining element, a low contact region, a light input coupler, a light redirecting optical element, one or more coupling lightguides, holding mechanism, and holder.

#### Thickness of the Light Output Optical Element

**[0244]** In one embodiment, the average or maximum thickness of the light output optical element in the region comprising the light transmitting region in a direction substantially perpendicular to the optical axis of the light propagating within the optical element is less than one selected from the group: 100%, 90%, 70%, 50%, 25%, 10%, and 5% of the dimension of the light transmitting region of the light output optical element in the direction parallel to the optical axis of the light within the light output optical element. In another embodiment, the average or maximum thickness of the light output optical element in the region comprising the light transmitting region is less than one selected from the group: 100%, 90%, 70%, 50%, 25%, 10%, and 5% of the thickness of the core layer of the film-based lightguide in a direction substantially perpendicular to the optical axis of the light propagating within the optical element. In one embodiment, the light output optical element is thinner than the core layer of the film-based lightguide such that a wider range of input angles of light propagating into the core layer has an opportunity to propagate laterally within the core layer (in the direction of the optical axis) so that it reaches the cladding layer (or air interface) and totally internally reflects instead of propagating back into the light output optical element.

#### Cladding Layer

**[0245]** In one embodiment, at least one of the light input coupler, coupling lightguide, light mixing region, lightguide region, and lightguide comprises a cladding layer optically coupled to at least one surface. A cladding region, as used herein, is a layer optically coupled to a surface wherein the cladding layer comprises a material with a refractive index,  $n_{clad}$ , less than the refractive index of the material,  $n_m$ , of the surface to which it is optically coupled. In one embodiment,  $n_m - n_{clad}$  is one selected from the group: 0.001-0.005, 0.001-0.01, 0.001-0.1, 0.001-0.2, 0.001-0.3, 0.001-0.4, 0.01-0.1, 0.1-0.5, 0.1-0.3, 0.2-0.5, greater than 0.01, greater than 0.1, greater than 0.2, and greater than 0.3. In one embodiment, the cladding is one selected from the group: methyl based silicone pressure sensitive adhesive, fluoropolymer material (applied with using coating comprising a fluoropolymer substantially dissolved in a solvent), and a fluoropolymer film. The cladding layer may be incorporated to provide a separation layer between the core or core part of a lightguide region and the outer surface to reduce undesirable out-coupling (for example, frustrated totally internally reflected light by touching the film with an oily finger) from the core or core region of a lightguide. Components or objects such as additional films, layers, objects, fingers, dust etc. that come in contact or optical contact directly with a core or core region of a lightguide may couple light out of the lightguide, absorb light or

transfer the totally internally reflected light into a new layer. By adding a cladding layer with a lower refractive index than the core, a portion of the light will totally internally reflect at the core-cladding layer interface. Cladding layers may also be used to provide the benefit of at least one of increased rigidity, increased flexural modulus, increased impact resistance, anti-glare properties, provide an intermediate layer for combining with other layers such as in the case of a cladding functioning as a tie layer or a base or substrate for an anti-reflection coating, a substrate for an optical component such as a polarizer, liquid crystal material, increased scratch resistance, provide additional functionality (such as a low-tack adhesive to bond the lightguide region to another element, a window "cling type" film such as a highly plasticized PVC). The cladding layer may be an adhesive, such as a low refractive index silicone adhesive which is optically coupled to another element of the device, the lightguide, the lightguide region, the light mixing region, the light input coupler, or a combination of one or more of the aforementioned elements or regions. In one embodiment, a cladding layer is optically coupled to a rear polarizer in a backlit liquid crystal display. In another embodiment, the cladding layer is optically coupled to a polarizer or outer surface of a front-lit display such as an electrophoretic display, e-book display, e-reader display, MEMs type display, electronic paper displays such as E-ink® display by E Ink Corporation, reflective or partially reflective LCD display, cholesteric display, or other display capable of being illuminated from the front. In another embodiment, the cladding layer is an adhesive that bonds the lightguide or lightguide region to a component such as a substrate (glass or polymer), optical element (such as a polarizer, retarder film, diffuser film, brightness enhancement film, protective film (such as a protective polycarbonate film), the light input coupler, coupling lightguides, or other element of the light emitting device. In one embodiment, the cladding layer is separated from the lightguide or lightguide region core layer by at least one additional layer or adhesive.

**[0246]** In one embodiment, a region of cladding material is removed or is absent in the region wherein the lightguide layer or lightguide is optically coupled to another region of the lightguide wherein the cladding is removed or absent such that light can couple between the two regions. In one embodiment, the cladding is removed or absent in a region near an edge of a lightguide, lightguide region, strip or region cut from a lightguide region, or coupling lightguide such that light nearing the edge of the lightguide can be redirected by folding or bending the region back onto a region of the lightguide wherein the cladding has been removed where the regions are optically coupled together. In another embodiment, the cladding is removed or absent in the region disposed between the lightguide regions of two coupling lightguides disposed to receive light from a light source or near a light input surface. By removing or not applying or disposing a cladding in the region between the input ends of two or more coupling lightguides disposed to receive light from a light source, light is not directly coupled into the cladding region edge.

**[0247]** In one embodiment, the cladding region is optically coupled to one or more surfaces of the light mixing region to prevent out-coupling of light from the lightguide when it is in contact with another component. In this embodiment, the cladding also enables the cladding and light mixing region to be physically coupled to another component.

#### Cladding Location

**[0248]** In one embodiment, the cladding region is optically coupled to at least one selected from the group: lightguide,

lightguide region, light mixing region, one surface of the lightguide, two surfaces of the lightguide, light input coupler, coupling lightguides, and an outer surface of the film. In another embodiment, the cladding is disposed in optical contact with the lightguide, lightguide region, or layer or layers optically coupled to the lightguide and the cladding material is not disposed on one or more coupling lightguides. In one embodiment, the coupling lightguides do not comprise a cladding layer between the core regions in the region near the light input surface or light source. In another embodiment, the core regions may be pressed or held together and the edges may be cut and/or polished after stacking or assembly to form a light input surface or a light turning edge that is flat, curved, or a combination thereof. In another embodiment, the cladding layer is a pressure sensitive adhesive and the release liner for the pressure sensitive adhesive is selectively removed in the region of one or more coupling lightguides that are stacked or aligned together into an array such that the cladding helps maintain the relative position of the coupling lightguides relative to each other. In another embodiment, the protective liner is removed from the inner cladding regions of the coupling lightguides and is left on one or both outer surfaces of the outer coupling lightguides.

**[0249]** In one embodiment, a cladding layer is disposed on one or both opposite surfaces of the light emitting region and is not disposed between two or more coupling lightguides at the light input surface. For example, in one embodiment, a mask layer is applied to a film based lightguide corresponding to the end regions of the coupling lightguides that will form the light input surface after cutting (and possibly the coupling lightguides) and the film is coated on one or both sides with a low refractive index coating. In this embodiment, when the mask is removed and the coupling lightguides are folded (using, for example a relative position maintaining element) and stacked, the light input surface can comprise core layers without cladding layers and the light emitting region can comprise a cladding layer (and the light mixing region may also comprise a cladding and/or light absorbing region), which is beneficial for optical efficiency (light is directed into the cladding at the input surface) and in applications such as film-based frontlights for reflective or transreflective displays where a cladding may be desired in the light emitting region.

**[0250]** In another embodiment, the protective liner of at least one outer surface of the outer coupling lightguides is removed such that the stack of coupling lightguides may be bonded to one of the following: a circuit board, a non-folded coupling lightguide, a light collimating optical element, a light turning optical element, a light coupling optical element, a flexible connector or substrate for a display or touchscreen, a second array of stacked coupling lightguides, a light input coupler housing, a light emitting device housing, a thermal transfer element, a heat sink, a light source, an alignment guide, a registration guide or component comprising a window for the light input surface, and any suitable element disposed on and/or physically coupled to an element of the light input surface or light emitting device. In one embodiment, the coupling lightguides do not comprise a cladding region on either planar side and optical loss at the bends or folds in the coupling lightguides is reduced. In another embodiment, the coupling lightguides do not comprise a cladding region on either planar side and the light input surface input coupling efficiency is increased due to the light input surface area having a higher concentration of lightguide received surface relative to a lightguide with at least one

cladding. In a further embodiment, the light emitting region has at least one cladding region or layer and the percentage of the area of the light input surface of the coupling lightguides disposed to transmit light into the lightguide portion of the coupling lightguides is greater than one of the following: 70%, 80%, 85%, 90%, 95%, 98% and 99%. The cladding may be on one side only of the lightguide or the light emitting device could be designed to be optically coupled to a material with a refractive index lower than the lightguide, such as in the case with a plasticized PVC film ( $n=1.53$ ) (or other low-tack material) temporarily adhered to a glass window ( $n=1.51$ ).

**[0251]** In one embodiment, the cladding on at least one surface of the lightguide is applied (such as coated or co-extruded) and the cladding on the coupling lightguides is subsequently removed. In a further embodiment, the cladding applied on the surface of the lightguide (or the lightguide is applied onto the surface of the cladding) such that the regions corresponding to the coupling lightguides do not have a cladding. For example, the cladding material could be extruded or coated onto a lightguide film in a central region wherein the outer sides of the film will comprise coupling lightguides. Similarly, the cladding may be absent on the coupling lightguides in the region disposed in close proximity to one or more light sources or the light input surface.

**[0252]** In one embodiment, two or more core regions of the coupling lightguides do not comprise a cladding region between the core regions in a region of the coupling lightguide disposed within a distance selected from the group: 1 millimeter, 2 millimeters, 4 millimeters, and 8 millimeters from the light input surface edge of the coupling lightguides. In a further embodiment, two or more core regions of the coupling lightguides do not comprise a cladding region between the core regions in a region of the coupling lightguide disposed within a distance selected from the group: 10%, 20%, 50%, 100%, 200%, and 300% of the combined thicknesses of the cores of the coupling lightguides disposed to receive light from the light source from the light input surface edge of the coupling lightguides. In one embodiment, the coupling lightguides in the region proximate the light input surface do not comprise cladding between the core regions (but may contain cladding on the outer surfaces of the collection of coupling lightguides) and the coupling lightguides are optically coupled together with an index-matching adhesive or material or the coupling lightguides are optically bonded, fused, or thermo-mechanically welded together by applying heat and pressure. In a further embodiment, a light source is disposed at a distance to the light input surface of the coupling lightguides less than one selected from the group: 0.5 millimeter, 1 millimeter, 2 millimeters, 4 millimeters, and 6 millimeters and the dimension of the light input surface in the first direction parallel to the thickness direction of the coupling lightguides is greater than one selected from the group: 100%, 110%, 120%, 130%, 150%, 180%, and 200% the dimension of the light emitting surface of the light source in the first direction. In another embodiment, disposing an index-matching material between the core regions of the coupling lightguides or optically coupling or bonding the coupling lightguides together in the region proximate the light source optically couples at least one selected from the group: 10%, 20%, 30%, 40%, and 50% more light into the coupling lightguides than would be coupled into the coupling lightguides with the cladding regions extending substantially to the light input edge of the coupling lightguide. In one embodiment, the

index-matching adhesive or material has a refractive index difference from the core region less than one selected from the group: 0.1, 0.08, 0.05, and 0.02. In another embodiment, the index-matching adhesive or material has a refractive index greater by less than one selected from the group: 0.1, 0.08, 0.05, and 0.02 the refractive index of the core region. In a further embodiment, a cladding region is disposed between a first set of core regions of coupling lightguides for a second set of coupling lightguides an index-matching region is disposed between the core regions of the coupling lightguides or they are fused together. In a further embodiment, the coupling lightguides disposed to receive light from the geometric center of the light emitting area of the light source within a first angle of the optical axis of the light source have cladding regions disposed between the core regions, and the core regions at angles larger than the first angle have index-matching regions disposed between the core regions of the coupling lightguides or they are fused together. In one embodiment, the first angle is selected from the group: 10 degrees, 20 degrees, 30 degrees, 40 degrees, 50 degrees, and 60 degrees. In the aforementioned embodiments, the cladding region may be a low refractive index material or air. In a further embodiment, the total thickness of the coupling lightguides in the region disposed to receive light from a light source to be coupled into the coupling lightguides is less than n times the thickness of the lightguide region where n is the number of coupling lightguides. In a further embodiment, the total thickness of the coupling lightguides in the region disposed to receive light from a light source to be coupled into the coupling lightguides is substantially equal to n times the thickness of the lightguide layer within the lightguide region.

#### Cladding Thickness

**[0253]** In a one embodiment, the average thickness of one or both cladding layers of the lightguide is less than one selected from the group: 100 microns, 60 microns, 30 microns, 20 microns, 10 microns, 6 microns, 4 microns, 2 microns, 1 micron, 0.8 microns, 0.5 microns, 0.3 microns, and 0.1 microns.

**[0254]** In a total internal reflection condition, the penetration depth,  $\lambda_e$  of the evanescent wave light from the denser region into the rarer medium from the interface at which the amplitude of the light in the rarer medium is 1/e that at the boundary is given by the equation:

$$\lambda_e = \frac{\lambda_0}{2\pi[(n_s^2(\sin\theta_i)^2) - n_c^2]^{\frac{1}{2}}}$$

**[0255]** where  $\lambda_0$  is the wavelength of the light in a vacuum,  $n_s$  is the refractive index of the denser medium (core region) and  $n_c$  is the refractive index of the rarer medium (cladding layer) and  $\theta_i$  is the angle of incidence to the interface within the denser medium. The equation for the penetration depth illustrates that for many of the angular ranges above the critical angle, the light propagating within the lightguide does not need a very thick cladding thickness to maintain the lightguide condition. For example, light within the visible wavelength range of 400 nanometers to 700 nanometers propagating within a silicone film-based core region of refractive index 1.47 with a fluoropolymer cladding material with a refractive index of 1.33 has a critical angle at about 65 degrees and the light propagating between 70 degrees and 90

degrees has a 1/e penetration depth,  $\lambda_e$ , less than about 0.3 microns. In this example, the cladding region thickness can be about 0.3 microns and the lightguide will significantly maintain visible light transmission in a lightguide condition from about 70 degrees and 90 degrees from the normal to the interface. In another embodiment, the ratio of the thickness of the core layer to one or more cladding layers is greater than one selected from the group: 2, 4, 6, 8, 10, 20, 30, 40, and 60 to one. In one embodiment, a high core to cladding layer thickness ratio where the cladding extends over the light emitting region and the coupling lightguides enables more light to be coupled into the core layer at the light input surface because the cladding regions represent a lower percentage of the surface area at the light input surface.

**[0256]** In one embodiment, the cladding layer comprises an adhesive such as a silicone-based adhesive, acrylate-based adhesive, epoxy, radiation curable adhesive, UV curable adhesive, or other light transmitting adhesive. The cladding layer material may comprise light scattering domains and may scatter light anisotropically or isotropically. In one embodiment, the cladding layer is an adhesive such as those described in U.S. Pat. No. 6,727,313. In another embodiment, the cladding material comprises domains less than 200 nm in size with a low refractive index such as those described in U.S. Pat. No. 6,773,801. Other low refractive index materials, fluoropolymer materials, polymers and adhesives may be used such as those disclosed U.S. Pat. Nos. 6,887,334 and 6,827,886 and U.S. patent application Ser. No. 11/795,534.

**[0257]** In another embodiment, a light emitting device comprises a lightguide with a cladding on at least one side of a lightguide with a thickness within one selected from the group: 0.1-10, 0.5-5, 0.8-2, 0.9-1.5, 1-10, 0.1-1, and 1-5 times the a 1/e penetration depth,  $\lambda_e$ , at for an angle,  $\theta$ , selected from the group: 80, 70, 60, 50, 40, 30, 20, and 10 degrees from the core-cladding interface normal within the lightguide; and a light output coupler or light extraction region (or film) is disposed to couple a first portion of incident light out of the lightguide when in optical contact with the cladding layer. For example, in one embodiment, a removable and replaceable light extraction film comprising high refractive index light scattering features (such as  $\text{TiO}_2$  or high refractive index glass particles, beads, or flakes) is disposed upon the cladding layer of a lightguide in a light fixture comprising a polycarbonate lightguide with an amorphous fluoropolymer cladding of thickness  $\lambda_e$ . In this embodiment, in the regions of the removable and replaceable light extraction film with the scattering features, the light can be frustrated from the lightguide and escape the lightguide. In this embodiment, a light extraction film may be used with a lightguide with a cladding region to couple light out of the lightguide. In this embodiment, a cladding region can help protect the lightguide (from scratches, unintentional total internal reflection frustration or absorption when in contact with a surface, for example) while still allowing a removable and replaceable light extraction film to allow for user configurable light output properties. In another embodiment, at least one film or component selected from the group: a light output coupling film, a distribution lightguide, and a light extraction feature is optically coupled to, disposed upon, or formed in a cladding region and couples a first portion of light out of the lightguide and cladding region. In one embodiment the first portion is greater than one selected from the group: 5%, 10%, 15%, 20%, 30%, 50%, and 70% of the flux within the lightguide or within the region comprising the thin cladding layer and film or component.

**[0258]** In one embodiment, the light input surface disposed to receive light from the light source does not have a cladding layer. In one embodiment, the ratio of the cladding area to the core layer area at the light input surface is greater than 0 and less than one selected from the group: 0.5, 0.4, 0.3, 0.2, 0.1, 0.05, 0.02, and 0.01. In another embodiment, the ratio of the cladding area to the core layer area in the regions of the light input surface receiving light from the light source with at least 5% of the peak luminous intensity at the light input surface is greater than 0 and less than one selected from the group: 0.5, 0.4, 0.3, 0.2, 0.1, 0.05, 0.02, and 0.01.

#### Cladding Layer Materials

**[0259]** Fluoropolymer materials may be used a low refractive index cladding material and may be broadly categorized into one of two basic classes. A first class includes those amorphous fluoropolymers comprising interpolymerized units derived from vinylidene fluoride (VDF) and hexafluoropropylene (HFP) and optionally tetrafluoroethylene (TFE) monomers. Examples of such are commercially available from 3M Company as Dyneon™ Fluoroelastomer FC 2145 and FT 2430. Additional amorphous fluoropolymers that can be used in embodiments are, for example, VDF-chlorotrifluoroethylene copolymers. One such VDF-chlorotrifluoroethylene copolymer is commercially known as Kel-F™ 3700, available from 3M Company. As used herein, amorphous fluoropolymers are materials that contain essentially no crystallinity or possess no significant melting point as determined for example by differential scanning calorimetry (DSC). For the purpose of this discussion, a copolymer is defined as a polymeric material resulting from the simultaneous polymerization of two or more dissimilar monomers and a homopolymer is a polymeric material resulting from the polymerization of a single monomer.

**[0260]** The second significant class of fluoropolymers useful in an embodiment are those homo and copolymers based on fluorinated monomers such as TFE or VDF which do contain a crystalline melting point such as polyvinylidene fluoride (PVDF, available commercially from 3M company as Dyneon™ PVDF, or more preferable thermoplastic copolymers of TFE such as those based on the crystalline microstructure of TFE-HFP-VDF. Examples of such polymers are those available from 3M under the trade name Dyneon™ Fluoroplastics THV™ 200.

**[0261]** A general description and preparation of these classes of fluoropolymers can be found in Encyclopedia Chemical Technology, Fluorocarbon Elastomers, Kirk-Othmer (1993), or in Modern Fluoropolymers, J. Scheirs Ed, (1997), J Wiley Science, Chapters 2, 13, and 32. (ISBN 0-471-97055-7).

**[0262]** In one embodiment, the fluoropolymers are copolymers formed from the constituent monomers known as tetrafluoroethylene (“TFE”), hexafluoropropylene (“HFP”), and vinylidene fluoride (“VdF,” “VF2,”). The monomer structures for these constituents are shown below as (1), (2) and (3):

**[0263]** TFE:  $\text{CF}_2=\text{CF}_2$  (1)

**[0264]** VDF:  $\text{CH}_2=\text{CF}_2$  (2)

**[0265]** HFP:  $\text{CF}_2=\text{CF}-\text{CF}_3$  (3)

**[0266]** In one embodiment, the preferred fluoropolymer consists of at least two of the constituent monomers (HFP and VDF), and more preferably all three of the constituents monomers in varying molar amounts. Additional monomers not depicted above but may also be useful in an embodiment

include perfluorovinyl ether monomers of the general structure:  $\text{CF}_2=\text{CF}-\text{OR}_f$ , wherein  $R_f$  can be a branched or linear perfluoroalkyl radical of 1-8 carbons and can itself contain additional heteroatoms such as oxygen. Specific examples are perfluoromethyl vinyl ether, perfluoropropyl vinyl ether, and perfluoro(3-methoxy-propyl)vinyl ether. Additional monomer examples are found in WO00/12754 to Worm, assigned to 3M, and U.S. Pat. No. 5,214,100 to Carlson. Other fluoropolymer materials may be used such as those disclosed in U.S. Patent application Ser. No. 11/026,614.

**[0267]** In one embodiment, the cladding material is birefringent and the refractive index in at least a first direction is less than refractive index of the lightguide region, lightguide core, or material to which it is optically coupled.

**[0268]** Collimated light propagating through a material may be reduced in intensity after passing through the material due to scattering (scattering loss coefficient), absorption (absorption coefficient), or a combination of scattering and absorption (attenuation coefficient). In one embodiment, the cladding comprises a material with an average absorption coefficient for collimated light less than one selected from the group:  $0.03 \text{ cm}^{-1}$ ,  $0.02 \text{ cm}^{-1}$ ,  $0.01 \text{ cm}^{-1}$ , and  $0.005 \text{ cm}^{-1}$  over the visible wavelength spectrum from 400 nanometers to 700 nanometers. In another embodiment, the cladding comprises a material with an average scattering loss coefficient for collimated light less than one selected from the group:  $0.03 \text{ cm}^{-1}$ ,  $0.02 \text{ cm}^{-1}$ ,  $0.01 \text{ cm}^{-1}$ , and  $0.005 \text{ cm}^{-1}$  over the visible wavelength spectrum from 400 nanometers to 700 nanometers. In another embodiment, the cladding comprises a material with an average attenuation coefficient for collimated light less than one selected from the group:  $0.03 \text{ cm}^{-1}$ ,  $0.02 \text{ cm}^{-1}$ ,  $0.01 \text{ cm}^{-1}$ , and  $0.005 \text{ cm}^{-1}$  over the visible wavelength spectrum from 400 nanometers to 700 nanometers.

**[0269]** In a further embodiment, a lightguide comprises a hard cladding layer that substantially protects a soft core layer (such as a soft silicone or silicone elastomer).

**[0270]** In one embodiment, a lightguide comprises a core material with a Durometer Shore A hardness (JIS) less than 50 and at least one cladding layer with a Durometer Shore A hardness (JIS) greater than 50. In one embodiment, a lightguide comprises a core material with an ASTM D638—10 Young’s Modulus less than 2 MPa and at least one cladding layer with an ASTM D638—10 Young’s Modulus greater than 2 MPa at 25 degrees Celsius. In another embodiment, a lightguide comprises a core material with an ASTM D638—10 Young’s Modulus less than 1.5 MPa and at least one cladding layer with an ASTM D638—10 Young’s Modulus greater than 2 MPa at 25 degrees Celsius. In a further embodiment, a lightguide comprises a core material with an ASTM D638—10 Young’s Modulus less than 1 MPa and at least one cladding layer with an ASTM D638—10 Young’s Modulus greater than 2 MPa at 25 degrees Celsius.

**[0271]** In one embodiment, a lightguide comprises a core material with an ASTM D638—10 Young’s Modulus less than 2 MPa and the lightguide film has an ASTM D638—10 Young’s Modulus greater than 2 MPa at 25 degrees Celsius. In another embodiment, a lightguide comprises a core material with an ASTM D638—10 Young’s Modulus less than 1.5 MPa and the lightguide film has an ASTM D638—10 Young’s Modulus greater than 2 MPa at 25 degrees Celsius. In one embodiment, a lightguide comprises a core material with an ASTM D638—10 Young’s Modulus less than 1 MPa and the lightguide film has an ASTM D638—10 Young’s Modulus greater than 2 MPa at 25 degrees Celsius.



[0272] In another embodiment, the cladding comprises a material with an effective refractive index less than the core layer due to microstructures or nanostructures. In another embodiment, the cladding layer comprises an a porous region comprising air or other gas or material with a refractive index less than 1.2 such that the effective refractive index of the cladding layer is than that of the material around the porous regions. For example, in one embodiment, the cladding layer is an aerogel or arrangement of nano-structured materials disposed on the core layer that creates a cladding layer with an effective refractive index less than the core layer. In one embodiment, the nano-structured material comprises fibers, particles, or domains with an average diameter or dimension in the plane parallel to the core layer surface or perpendicular to the core layer surface less than one selected from the group: 1000, 500, 300, 200, 100, 50, 20, 10, 5, and 2 nanometers. For example, in one embodiment, the cladding layer is a coating comprising nanostructured fibers, comprising polymeric materials such as, without limitation, cellulose, polyester, PVC, PTFE, polystyrene, PMMA, PDMS, or other light transmitting or partially light transmitting materials. In another embodiment, materials that normally scattering too much light in bulk form (such as HDPE or polypropylene) to be used as a core or cladding material for lightguide lengths greater than 1 meter (such as scattering greater than 10% of the light out of the lightguide over the 1 meter length) are used in a nanostructured form. For example, in one embodiment, the nanostructured cladding material on the film based lightguide, when formed into a bulk solid form (such as a 200 micron thick homogeneous film formed without mechanically formed physical structures volumetrically or on the surface under film processing conditions designed to minimize haze substantially) has an ASTM haze greater than 0.5%.

[0273] In a further embodiment, the microstructured or nanostructured cladding material comprises a structure that will "wet-out" or optically couple light into a light extraction feature disposed in physical contact with the microstructured or nanostructured cladding material. For example, in one embodiment, the light extraction feature comprises nanostructured surface features that when in close proximity or contact with the nanostructured cladding region couple light from the cladding region. In one embodiment, the microstructured or nanostructured cladding material has complementary structures to the light extraction feature structures, such as a male-female part or other simple or complex complementary structures such that the effective refractive index in the region comprising the two structures is larger than that of the cladding region without the light extraction features.

#### Reflective Elements

[0274] In one embodiment, at least one selected from the group: light source, light input surface, light input coupler, coupling lightguide, lightguide region, and lightguide comprises a reflective element or surface optically coupled to it, disposed adjacent to it, or disposed to receive light from it wherein the reflective region is one selected from the group: specularly reflecting region, diffusely reflecting region, metallic coating on a region (such as an ITO coating, Aluminized PET, Silver coating, etc.), multi-layer reflector dichroic reflector, multi-layer polymeric reflector, giant birefringent optical films, enhanced specular reflector films, reflective ink or particles within a coating or layer, and a white reflective film comprising at least one selected from the group: titanium

dioxide, barium sulfate, and voids. In another embodiment, a light emitting device comprises a lightguide wherein at least one light reflecting material selected from the group: a light recycling element, a specularly reflective tape with a diffuse reflectance (specular component included) greater than 70%, a retroreflective film (such as a corner cube film or glass bead based retroreflective film), white reflecting film, and aluminum housing is disposed near or optically coupled at least one edge region of the lightguide disposed to receive light from the lightguide and redirect a first portion of light back into the lightguide. In another embodiment, a light emitting device comprises a lightguide wherein at least one light absorbing material selected from the group: a light absorbing tape with a diffuse reflectance (specular component included) less than 50%, a region comprising a light absorbing dye or pigment, a region comprising carbon black particles, a region comprising light absorbing ink, paint, films or surfaces, and a black material is disposed near or optically coupled at least one edge region of the lightguide disposed to receive light from the lightguide and redirect a first portion of light back into the lightguide. In a further embodiment, a light reflecting material and a light absorbing material of the aforementioned types is disposed near or optically coupled at least one edge region of the lightguide disposed to receive light from the lightguide and redirect a first portion of light back into the lightguide and absorb a second portion of incident light. In one embodiment, the light reflecting or light absorbing material is in the form of a line of ink or tape adhered onto the surface of the lightguide film. In one embodiment, the light reflecting material is a specularly reflecting tape adhered to the top surface, edge, and bottom surface of the lightguide near the edge of the lightguide. In another embodiment, the light absorbing material is a light absorbing tape adhered to the top surface, edge, and bottom surface of the lightguide near the edge of the lightguide. In another embodiment, the light absorbing material is a light absorbing ink or paint (such as a black acrylic based paint) adhered to at least one selected from the group: the edge, the top surface near the edge, and the bottom surface near the edge of the lightguide film.

[0275] In one embodiment, the light emitting device is a backlight illuminating a display or other object to be illuminated and the light emitting region, lightguide, or lightguide region is disposed between a reflective surface or element and the object to be illuminated. In another embodiment, the reflective element is a voided white PET film such as TETORON® film UX Series from TEIJIN (Japan). In one embodiment, the reflective element or surface has a diffuse reflectance d/8 with the specular component included (DR-SCI) measured with a Minolta CM508D spectrometer greater than one selected from the group: 60%, 70%, 80%, 90%, and 95%. In another embodiment, the reflective element or surface has a diffuse reflectance d/8 with the specular component excluded (DR-SCE) measured with a Minolta CM508D spectrometer greater than one selected from the group: 60%, 70%, 80%, 90%, and 95%. In another embodiment, the reflective element or surface has a specular reflectance greater than one selected from the group: 60%, 70%, 80%, 90%, and 95%. The specular reflectance, as defined herein, is the percentage of light reflected from a surface illuminated by a 532 nanometer laser that is within a 10 degree (full angle) cone centered about the optical axis of the reflected light. This can be measured by using an integrating sphere wherein the aperture opening for the integrating sphere is positioned at a distance from the point of reflection such that the angular extent of the

captured light is 10 degrees full angle. The percent reflection is measured against a reflectance standard with a known specular reflectance, a reflectance standard, film, or object that have extremely low levels of scattering.

Light Reflecting Optical Elements is also a Second Element [0276] In addition to reflecting incident light, in one embodiment, the light reflecting element is also at least one second element selected from the group: light blocking element, low contact area covering element, housing element, light collimating optical element, light turning optical element and thermal transfer element. In another embodiment, the light reflecting optical element is a second element within a region of the light reflecting optical element. In a further embodiment, the light reflecting optical element comprises a bend region, tab region, hole region, layer region, or extended region that is, or forms a component thereof, a second element. For example, a diffuse light reflecting element comprising a voided PET diffuse reflecting film may be disposed adjacent the lightguide region to provide diffuse reflection and the film may further comprise a specular reflecting metallized coating on an extended region of the film that is bent and functions to collimate incident light from the light source. In another embodiment, the second element or second region of the light reflecting optical element is contiguous with one or more regions of the light reflecting optical element. In a further embodiment, the light reflecting optical element is a region, coating, element or layer physically coupled to a second element. In another embodiment, the second element is a region, coating, element or layer physically coupled to a light reflecting optical element. For example, in one embodiment, the light reflecting optical element is a metallized PET film adhered to the back of a transparent, low contact area film comprising polyurethane and a surface relief profile wherein the film combination extends from beneath the lightguide region to wrap around one or more coupling lightguides. In a further embodiment, the light reflecting optical element is physically and/or optically coupled to the film-based lightguide and is cut during the same cutting process that generates the coupling lightguides and the light reflecting optical element is cut into regions that are angled, curved or subsequently angled or curved to form a light collimating optical element or a light turning optical element. The size, shape, quantity, orientation, material and location of the tab regions, light reflecting regions or other regions of the light reflecting optical element may vary as needed to provide optical (efficiency, light collimation, light redirection, etc.), mechanical (rigidity, connection with other elements, alignment, ease of manufacture etc.), or system (reduced volume, increased efficiency, additional functionality such as color mixing) benefits such as is known in the art of optical elements, displays, light fixtures, etc. For example, the tab regions of a light reflecting optical element that specularly reflects incident light may comprise a parabolic, polynomial or other geometrical cross-sectional shape such that the angular FWHM intensity, light flux, orientation, uniformity, or light profile is controlled. For example, the curved cross-sectional shape of one or more tab regions may be that of a compound parabolic concentrator. In another embodiment, the light reflecting optical element comprises hole regions, tab regions, adhesive regions or other alignment, physical coupling, optical coupling, or positioning regions that correspond in shape, size, or location to other elements of the light emitting device to facilitate at least one selected from the group: alignment, position, adhesion, physically coupling, and optically coupling with a second

element or component of the light emitting device. For example, the light reflecting optical element may be a specularly reflecting or mirror-like metallized PET that is disposed beneath a substantially planar light emitting region and extends into the region near the light source and comprises extended tabs or folding regions that fold and are optically coupled to at least one outer surface of a light collimating element. In this embodiment, the light reflecting optical element is also a component of a light collimating optical element. In another embodiment, the light reflecting optical element is a specularly reflecting metallized PET film that is optically coupled to a non-folded coupling lightguide using a pressure sensitive adhesive and is extended toward the light source such that the extended region is optically coupled to an angled surface of a light collimating optical element that collimates a portion of the light from the light source in the plane perpendicular to the plane comprising the surface of the non-folded coupling lightguide optically coupled to the light reflecting optical element.

[0277] In one embodiment, the light reflecting element is also a light blocking element wherein the light reflecting element blocks a first portion of light escaping the light input coupler, coupling lightguide, light source, light redirecting optical element, light collimating optical element, light mixing region, lightguide region. In another embodiment, the light reflecting element prevents the visibility of stray light, undesirable light, or a predetermined area of light emitting or redirecting surface from reaching the viewer of a display, sign, or a light emitting device. For example, a metallized specularly reflecting PET film may be disposed to reflect light from one side of the lightguide region back toward the lightguide region and also extend to wrap around the stack of coupling lightguide using the PSA optically coupled to the coupling lightguides (which may be a cladding layer for the lightguides) to adhere the metallized PET film to the stack and block stray light escaping from the coupling lightguides and becoming visible.

[0278] In one embodiment, the light reflecting element is also a low contact area covering. For example, in one embodiment, the light reflecting element is a metallized PET film comprising a methacrylate based coating that comprises surface relief features. In this embodiment, the light reflecting element may wrap around the stack without significantly extracting light from the coupling lightguides when air is used as a cladding region. In another embodiment, the reflective element has non-planar regions such that the reflective surface is not flat and the contact area between the light reflecting film and one or more coupling lightguides or lightguide regions is a low percentage of the exposed surface area. In another embodiment, the light reflecting element is a low contact area covering comprising a PET film comprising voids and/or titanium dioxide and a surface relief coating.

[0279] In another embodiment, the light reflecting element is also a housing element. For example, in one embodiment, the light reflecting element is a reflective coating on the inner wall of the housing for the coupling lightguides. The housing may have reflective surfaces or reflect light from within (such as an internal reflecting layer or material). The light reflecting element may be the housing for the lightguide region or other lightguide or component of the light emitting device.

[0280] In a further embodiment, the light reflecting element is also a light collimating optical element disposed to reduce the angular full-width at half maximum intensity of light from a light source before the light enters one or more coupling

lightguides. In one embodiment, the light reflecting optical element is a specularly reflecting multilayer polymeric film (such as a giant birefringent optical film) disposed on one side of the light emitting region of lightguide film and extended in a direction toward the light source with folds or curved regions that are bent or folded to form angled or curved shapes that receive light from the light source and reflect and collimate light toward the input surface of one or more coupling lightguides. More than one fold or curved region may be used to provide different shapes or orientations of light reflecting surfaces for different regions disposed to receive light from the light source. For example, an enhanced specularly reflecting multilayer polymer film (such as a giant birefringent optical film) disposed and optically coupled to the lightguide region of a film-based lightguide using a low refractive index PSA cladding layer may extend toward the light source and comprise a first extended region that wraps around the cladding region to protect and block stray light and further comprise an extended region that comprises two tabs that are folded and a cavity wherein the light source may be disposed such that light from the light source within a first plane is collimated by the extended region tabs. In one embodiment, the use of the light reflecting element that is physically coupled to another component in the light emitting device (such as the film-based lightguide or coupling lightguides) provides an anchor or registration assistance for aligning the light collimating optical element tabs or reflective regions of the light reflecting element.

**[0281]** In a further embodiment, the light reflecting element is also a light turning optical element disposed to redirect the optical axis of light in a first plane. In one embodiment, the light reflecting optical element is a specularly reflecting multilayer polymer film (such as a giant birefringent optical film) disposed on one side of the light emitting region of lightguide film and extended in a direction toward the light source with folds or curved regions that are bent or folded to form angled or curved shapes that receive light from the light source and reflect and redirect the optical axis of the incident light toward the input surface of one or more coupling lightguides. More than one fold or curved region may be used to provide different shapes or orientations of light reflecting surfaces for different regions disposed to receive light from the light source. For example, a specularly reflecting multilayer polymer film disposed and optically coupled to the lightguide region of a film-based lightguide using a low refractive index PSA cladding layer may extend toward the light source and comprise an first extended region that wraps around the cladding region to protect and block stray light and further comprise an extended region that comprises two tabs that are folded and a cavity wherein the light source may be disposed such that optical axis of the light from the light source within a first plane in a first direction is redirected by the extended region tabs into a second direction different than the first direction. In one embodiment, the use of the light reflecting element that is physically coupled to another component in the light emitting device (such as the film-based lightguide or coupling lightguides) provides an anchor or registration assistance for aligning the light turning optical element tabs or reflective regions of the light reflecting element.

**[0282]** In a further embodiment, the light reflecting element is also a thermal transfer element that transfers heat away from the light source. For example, in one embodiment, the light reflecting element is a reflective aluminum housing disposed on one side of the lightguide region and extending to

and thermally coupled to a circuit board that is thermally coupled to the light source such that heat from the light source is thermally transferred to the aluminum. In another example, the light reflecting optical element is a high reflectance polished region of an aluminum sheet that further comprises (or is thermally coupled to) an extrusion region with fins or heat sink extensions. In another embodiment, the thermal transfer element is an aluminum extrusion comprising the coupling lightguide in an interior region wherein the inner surface of the extrusion is a light reflecting optical element disposed to reflect light received from the coupling lightguides back toward the coupling lightguides. In another embodiment, the thermal transfer element is an aluminum extrusion comprising coupling lightguides in an interior region wherein the extrusion further comprises a light collimating reflective surface disposed to collimate light from the light source.

#### Protective Layers

**[0283]** In one embodiment, at least one selected from the group: light input surface, light input coupler, coupling lightguide, lightguide region, and lightguide comprises a protective element or layer optically coupled to it, physically coupled to it, disposed adjacent to it, or disposed between it and a light emitting surface of the light emitting device. A protective film element can have a higher scratch resistance, higher impact resistance, hardcoating layer, impact absorbing layer or other layer or element suitable to protect at least one selected from the group: light input surface, light input coupler, coupling lightguide, lightguide region, and lightguide from scratches, impacts, dropping the device, and interaction with sharp objects, etc. In another embodiment, at least one outer surface region of the lightguide (or layer thereof) comprises a removable protective film or masking film. For example, in one embodiment, a film based lightguide comprises removable protective polyethylene films physically coupled to the cladding regions on either side of a core region. In another embodiment, one of the cladding regions is an adhesive and the protective polyethylene film prevents contamination of the adhesive before the film is adhered to a window, for example, and the other cladding region comprises a "hardcoat" coating with a pencil hardness greater than 2H where the protective polyethylene film prevents scratches before installation of the light emitting device.

#### Coupling Light into the Surface of the Coupling Lighthouse

**[0284]** In one embodiment, the light input surface of the light input coupler is at least one surface of at least one coupling lightguide. In one embodiment, light is coupled into a coupling lightguide such that it remains in the lightguide for multiple total internal reflections by at least one optical element or feature on at least one surface or optically coupled to at least one surface comprising an optical region selected from the group: lens, prismatic lens, prismatic film, diffraction grating, holographic optical element, diffractive optical element, diffuser, anisotropic diffuser, refractive surface relief features, diffractive surface relief features, volumetric light re-directing features, micro-scale volumetric or surface relief features, nano-scale volumetric or surface relief features, and total-internal-reflection volumetric or surface features. The optical element or feature may be incorporated on one or several coupling lightguides in a stacked or predetermined physically arranged distribution of coupling lightguides. In one embodiment, the optical element or feature is arranged spatially in a pattern within or on one coupling

lightguide or across multiple coupling lightguides. In one embodiment, the coupling efficiency of an optical element or feature is greater than one selected from the group: 50%, 60%, 70%, 80%, and 90% for a wavelength range selected from one selected from the group: 350 nm-400 nm, 400 nm-700 nm, 450 nm-490 nm, 490 nm-560 nm, and 635 nm-700 nm. The coupling efficiency as defined herein is the percent of incident light from a light source disposed to direct light onto at least one coupling lightguide which is coupled into the at least one coupling lightguide disposed to receive light from the light source which remains within the coupling lightguide at an angle greater than the critical angle further along in the region of the lightguide just past the light input surface region. In one embodiment, two or more coupling lightguides are stacked or bundled together wherein they each have an optical element or feature disposed to couple light into the coupling lightguide and the optical element or feature has a coupling efficiency less than one selected from the group: 50%, 60%, 70%, 80%, and 90% for a wavelength range selected from one selected from the group: 350 nm-400 nm, 400 nm-700 nm, 450 nm-490 nm, 490 nm-560 nm, and 635 nm-700 nm. By stacking a group of coupling lightguides, for example, one can use lower coupling efficiencies to enable a portion of the incident light to pass through a first coupling lightguide onto a second coupling lightguide to allow light to be coupled into the second coupling lightguide. In one embodiment, the coupling efficiency is graded or varies in a first direction through an arrangement of coupling lightguides and a light reflecting element or region is disposed on the opposite side of the arrangement of coupling lightguides disposed to reflect a portion of incident light back through the coupling lightguides.

#### Coupling Light into Two or More Surfaces

**[0285]** In one embodiment, light is coupled through light input couplers, coupling lightguides, optical elements, or a combination thereof to at least two surfaces or surface regions of a at least one lightguide in a light emitting device. In another embodiment, the light coupled through the surface of a lightguide or lightguide region is directed by the light extraction features into an angular range different than that of the light directed by the same or different light extraction features from light coupled through a second surface or second surface region of a lightguide or lightguide region of a light emitting device. In another embodiment, a first light extracting region comprising a first set of light re-directing features or light extraction features that directs light incident through a first surface or edge into a first range of angles upon exiting the light emitting surface of the lightguide and a second light extracting region comprises a second set of light re-directing or light extraction features that direct light incident through a second surface or edge into a second range of angles upon exiting the light emitting surface of the lightguide. Variations in the light re-directing features include, but are not limited to, feature height, shape, orientation, density, width, length, material, angle of a surface, location in the x, y, and z direction and include dispersed phase domains, grooves, pits, micro-lenses, prismatic elements, air cavities, hollow microspheres, dispersed microspheres, and other known light extraction features or elements. In another embodiment, a light emitting device comprises at least one lightguide and a first light source disposed to couple light through a surface of at least one lightguide and a second light source disposed to couple light through the edge of at least one lightguide wherein the coupling mechanism is at least

one selected from the group: light input couplers, optical element, coupling lightguide, optical components or coupling lightguides optically coupled to a surface or edge, diffractive optics, holographic optical element, diffraction grating, Fresnel lens element, prismatic film, light redirecting optic and other optical element.

#### Light Input Couplers Disposed Near More than One Edge of a Lightguide

**[0286]** In one embodiment, a light emitting device comprises a plurality of light input couplers disposed to couple light into a lightguide from at least two input regions disposed near two different edges of a lightguide. In another embodiment, two light input couplers are disposed on opposite sides of a lightguide. In another embodiment, light input couplers are disposed on three or four sides of a film-type lightguide. In a further embodiment, more than one light input coupler, housing, or light input surface is disposed to receive light from a single light source, light source package, array of light sources or light source strip (such as a substantially linear array of LEDs). For example, two housing for two light input couplers disposed to couple light to two different regions of a lightguide are disposed to receive light from a substantially linear array of LEDs. In another embodiment a first input surface comprising a first collection of coupling lightguides optically coupled to a first region of a lightguide and a second input surface comprising a second collection of coupling lightguides optically coupled to a second region of a lightguide different than the first region are disposed to receive light from one selected from the group: the same light source, a plurality of light sources, light sources in a package, an array or collection of light sources, a linear array of light sources, one or more LEDs, an LED package, a linear array of LEDs, and LEDs of multiple colors.

#### Strip Folding Device

**[0287]** In one embodiment, the light emitting device comprises frame members which assist in at least one of the folding or holding of the coupling lightguides or strips. Methods for folding and holding coupling lightguides such as film-based lightguides using frame members are disclosed in International (PCT) Publication No. WO 2009/048863 and PCT application titled "ILLUMINATION VIA FLEXIBLE THIN FILMS" filed on Jan. 26, 2010 by Anthony Nichols and Shawn Pucylowski, U.S. Provisional patent applications Ser. Nos. 61/147,215 and 61/147,237, the contents of each are incorporated by reference herein. In one embodiment, the coupling lightguide folding (or bending) and/or holding (or housing) element is formed from at least one selected from the group: rigid plastic material, black colored material, opaque material, semi-transparent material, metal foil, metal sheet, aluminum sheet, and aluminum foil. In one embodiment, the folding or holding material has a flexural rigidity or (flexural modulus) at least twice the flexural rigidity (or modulus) of the film or coupling lightguides which it folds or holds.

#### Housing or Holding Device for Light Input Coupler

**[0288]** In one embodiment, a light emitting device comprises a housing or holding device that holds or contains at least part of a light input coupler and light source. The housing or holding device may house or contain within at least one selected from the group: light input coupler, light source, coupling lightguides, lightguide, optical components, electri-

cal components, heat sink or other thermal components, attachment mechanisms, registration mechanisms, folding mechanisms devices, and frames. The housing or holding device may comprise a plurality of components or any combination of the aforementioned components. The housing or holding device may serve one or more of functions selected from the group: protect from dust and debris contamination, provide air-tight seal, provide a water-tight seal, house or contain components, provide a safety housing for electrical or optical components, assist with the folding or bending of the coupling lightguides, assist in the alignment or holding of the lightguide, coupling lightguide, light source or light input coupler relative to another component, maintain the arrangement of the coupling lightguides, recycle light (such as with reflecting inner walls), provide attachment mechanisms for attaching the light emitting device to an external object or surface, provide an opaque container such that stray light does not escape through specific regions, provide a translucent surface for displaying indicia or providing illumination to an object external to the light emitting device, comprise a connector for release and interchangeability of components, and provide a latch or connector to connect with other holding devices or housings.

**[0289]** In one embodiment, the coupling lightguides are terminated within the housing or holding element. In another embodiment, the inner surface of the housing or holding element has a specular or diffuse reflectance greater than 50% and the inner surface appears white or mirror-like. In another embodiment, the outer surface of the housing or holding device has a specular or diffuse reflectance greater than 50% and the outer surface appears white or mirror-like. In another embodiment, at least one wall of the housing or holding device has a specular or diffuse reflectance less than 50% and the inner surface appears gray, black or like a very dark mirror. In another embodiment, at least one wall or surface of the housing or holding device is opaque and has a luminous transmittance measured according to ASTM D1003 of less than 50%. In another embodiment, at least one wall or surface of the housing or holding device has a luminous transmittance measured according to ASTM D1003 greater than 30% and the light exiting the wall or surface from the light source within the housing or holding device provides illumination for a component of the light emitting device, illumination for an object external to the light emitting device, or illumination of a surface to display a sign, indicia, passive display, a second display or indicia, or an active display such as providing backlight illumination for an LCD.

**[0290]** In one embodiment, the housing or holding device comprises at least one selected from the group: connector, pin, clip, latch, adhesive region, clamp, joining mechanism, and other connecting element or mechanical means to connect or hold the housing or holding device to another housing or holding device, lightguide, coupling lightguide, film, strip, cartridge, removable component or components, an exterior surface such as a window or automobile, light source, electronics or electrical component, circuit board for the electronics or light source such as an LED, heat sink or other thermal control element, frame of the light emitting device, and other component of the light emitting device.

**[0291]** In a another embodiment, the input ends and output ends of the coupling lightguides are held in physical contact with the relative position maintaining elements by at least one selected from the group: magnetic grips, mechanical grips, clamps, screws, mechanical adhesion, chemical adhesion,

dispersive adhesion, diffusive adhesion, electrostatic adhesion, vacuum holding, or an adhesive.

#### Curved or Flexible Housing

**[0292]** In another embodiment, the housing comprises at least one curved surface. A curved surface can permit non-linear shapes or devices or facilitate incorporating non-planer or bent lightguides or coupling lightguides. In one embodiment, a light emitting device comprises a housing with at least one curved surface wherein the housing comprises curved or bent coupling lightguides. In another embodiment, the housing is flexible such that it may be bent temporarily, permanently or semi-permanently. By using a flexible housing, for example, the light emitting device may be able to be bent such that the light emitting surface is curved along with the housing, the light emitting area may curve around a bend in a wall or corner, for example. In one embodiment, the housing or lightguide may be bent temporarily such that the initial shape is substantially restored (bending a long housing to get it through a door for example). In another embodiment, the housing or lightguide may be bent permanently or semi-permanently such that the bent shape is substantially sustained after release (such as when it is desired to have a curved light emitting device to provide a curved sign or display, for example).

#### Housing Including a Thermal Transfer Element

**[0293]** In one embodiment, the housing comprises a thermal transfer element disposed to transfer heat from a component within the housing to an outer surface of the housing. In another embodiment, the thermal transfer element is one selected from the group: heat sink, metallic or ceramic element, fan, heat pipe, synthetic jet, air jet producing actuator, active cooling element, passive cooling element, rear portion of a metal core or other conductive circuit board, thermally conductive adhesive, or other component known to thermally conduct heat. In one embodiment, the thermal transfer element has a thermal conductivity (W/(m·K)) greater than one selected from the group: 0.2, 0.5, 0.7, 1, 3, 5, 50, 100, 120, 180, 237, 300, and 400. In another embodiment, a frame supporting the film-based lightguide (such as one that holds tension in the film to maintain flatness) is a thermal transfer element. In one embodiment, the light source is an LED and the LED is thermally coupled to the ballast or frame that is a thermal transfer element. In a further embodiment, a frame or ballast used to thermally transfer heat away from the light source and is also a housing for the light emitting device.

#### Size of the Housing or Coupling Lightguide Holding Device

**[0294]** In one embodiment, the sizes of the two smaller dimensions of the housing or coupling lightguide holding device are less than one selected from the group: 500, 400, 300, 200, 100, 50, 25, 10, and 5 times the thickness of the lightguide or coupling lightguides. In another embodiment, at least one dimension of the housing or lightguide holding device is smaller due to the use of more than one light input coupler disposed along an edge of the lightguide. In this embodiment, the thickness of the housing or holding device can be reduced because for a fixed number of strips or coupling lightguides, they can be arranged into multiple smaller stacks instead of a single larger stack. This also enables more

light to be coupled into the lightguide by using multiple light input couplers and light sources.

#### Low Contact Area Cover

**[0295]** In one embodiment, a low contact area cover is disposed between at least one coupling lightguide and the exterior to the light emitting device. The low contact area cover or wrap provides a low surface area of contact with a region of the lightguide or a coupling lightguide and may further provide at least one selected from the group: protection from fingerprints, protection from dust or air contaminants, protection from moisture, protection from internal or external objects that would decouple or absorb more light than the low contact area cover when in contact in one or more regions with one or more coupling lightguides, provide a means for holding or containing at least one coupling lightguide, hold the relative position of one or more coupling lightguides, reflect light back through the lightguide, and prevent the coupling lightguides from unfolding into a larger volume or contact with a surface that could de-couple or absorb light. In one embodiment, the low contact area cover is disposed substantially around one or more coupling lightguide stacks or arrays and provides one or more of the functions selected from the group: reducing the dust buildup on the coupling lightguides, protecting one or more coupling lightguides from frustrated total internal reflection or absorption by contact with another light transmitting or absorbing material, and preventing or limiting scratches, cuts, dents, or deformities from physical contact with other components or assemblers and/or users of the device.

**[0296]** In another embodiment, the low contact area cover is disposed between the outer surface of the light emitting device and the regions of the coupling lightguides disposed between the fold or bend region and the lightguide or light mixing region. In a further embodiment, the low contact area cover is disposed between the outer surface of the light emitting device and the regions of the coupling lightguides disposed between the light input surface of the coupling lightguides and the lightguide or light mixing region. In another embodiment, the low contact area cover is disposed between the outer surface of the light emitting device and a portion of the regions of the coupling lightguides not enclosed by a housing, protective cover, or other component disposed between the coupling lightguides and the outer surface of the light emitting device. In one embodiment, the low contact area cover is the housing, relative position maintaining element, or a portion of the housing or relative positioning maintaining element. In one embodiment, the low contact area surface feature is a protrusion from a film, material, or layer. In another embodiment, the low contact area cover or wrap is disposed substantially around the light emitting device.

#### Film-Based Low Contact Area Cover

**[0297]** In one embodiment the low contact area cover is a film with at least one of a lower refractive index than the refractive index of the outer material of the coupling lightguide disposed near the low contact area cover, and a surface relief pattern or structure on the surface of the film-based low contact area cover disposed near at least one coupling lightguide. In one embodiment, the low contact area comprises convex or protruding surface relief features disposed near at least one outer surface of at least one coupling lightguide and the average percentage of the area disposed adjacent to an

outer surface of a coupling lightguide or the lightguide that is in physical contact with the surface relief features is less than one of the following: 70%, 50%, 30%, 10%, 5%, and 1%. In another embodiment, the low contact area cover comprises surface relief features adjacent and in physical contact with a region of the film-based lightguide and the percentage of the region of the film-based lightguide (or light mixing region, or coupling lightguides) in contact with the low contact area cover is less than one of the following: 70%, 50%, 30%, 10%, 5%, and 1%. In another embodiment, the low contact area cover comprises surface relief features adjacent a region of the film-based lightguide and the percentage of the area of the surface relief features that contact a region of the film-based lightguide (or light mixing region, or coupling lightguides) when a uniform planar pressure of 7 kilopascals is applied to the low contact area cover is less than one of the following: 70%, 50%, 30%, 10%, 5%, and 1%. In one embodiment, the low contact area cover is a surface relief diffuser disposed in a backlight on the side of the film-based lightguide opposite the light emitting side of the backlight such that the surface relief features are in contact with the film-based lightguide. In one embodiment, the film-based lightguide is physically coupled to the low contact area cover that is physically coupled to a rigid support or the housing of a backlight.

**[0298]** In one embodiment, a convex surface relief profile designed to have a low contact area with a surface of the coupling lightguide will at least one selected from the group: extract, absorb, scatter, and otherwise alter the intensity or direction of a lower percentage of light propagating within the coupling lightguide than a flat surface of the same material. In one embodiment, the surface relief profile is at least one selected from the group: random, semi-random, ordered, regular in one or 2 directions, holographic, tailored, comprise cones, truncated polyhedrons, truncated hemispheres, truncated cones, truncated pyramids, pyramids, prisms, pointed shapes, round tipped shapes, rods, cylinders, hemispheres, and other geometrical shapes. In one embodiment, the low contact area cover material or film is at least one selected from the group: transparent, translucent, opaque, light absorbing, light reflecting, substantially black, substantially white, has a diffuse reflectance specular component included greater than 70%, has a diffuse reflectance specular component included less than 70%, has an ASTM D1003 luminous transmittance less than 30%, has an ASTM D1003 luminous transmittance greater than 30%, absorbs at least 50% of the incident light, absorbs less than 50% of the incident light, has an electrical sheet resistance less than 10 ohms per square, and has an electrical sheet resistance greater than 10 ohms per square. In one embodiment, low contact area material has a diffuse reflectance measured in the di/0 geometry according to ASTM E 1164-07 and ASTM E 179 greater than one selected from the group: 70%, 80%, 85%, 90%, 95%, and 95%.

**[0299]** In another embodiment, the low contact area cover is a film with a thickness less than one selected from the group: 600 microns, 500 microns, 400 microns, 300 microns, 200 microns, 100 microns, and 50 microns.

**[0300]** In another embodiment, the low contact area cover comprises a material with an effective refractive index less than the core layer due to microstructures and/or nanostructures. For example, in one embodiment, the low contact area comprises an aerogel or arrangement of nano-structured materials disposed on a film that have an effective refractive index less than the core layer in the region near the core layer. In one embodiment, the nano-structured material comprises

fibers, particles, or domains with an average diameter or dimension in the plane parallel to the core layer surface or perpendicular to the core layer surface less than one selected from the group: 1000, 500, 300, 200, 100, 50, 20, 10, 5, and 2 nanometers. For example, in one embodiment, the low contact area cover is a coating or material comprising nanostructured fibers, comprising polymeric materials such as, without limitation, cellulose, polyester, PVC, PTFE, polystyrene, PMMA, PDMS, or other light transmitting or partially light transmitting materials. In one embodiment, the low contact area is a paper or similar sheet or film (such as a filter paper) comprising fibrous, micro-structured, or nano-structured materials or surfaces. In one embodiment, the low contact area material is a woven material. In another embodiment, the low contact area material is non-woven material. In another embodiment, the low contact area cover is a substantially transparent or translucent light transmitting film that comprises “macro” surface features with average dimensions greater than 5 microns that have micro-structured, nanostructured, or fibrous materials or surface features disposed on or within the outer regions of the “macro” surface features. In one embodiment, the “macro” surface features have an average dimension in a first direction parallel to the core surface or perpendicular to the core surface greater than one selected from the group: 5, 10, 15, 20, 30, 50, 100, 150, 200, and 500 microns and the micro-structured, nanostructured, or fibrous materials or surface features have an average dimension in the first direction less than one selected from the group: 20, 10, 5, 2, 1, 0.5, 0.3, 0.1, 0.05, and 0.01 microns.

**[0301]** In this embodiment, the “macro” surface features can be patterned into a surface (such as by extrusion embossing or UV cured embossing) and the outer regions (outermost surfaces of the protruded regions that would be in contact with the core layer) can remain, be formed, coated, roughened, or otherwise modified to comprise micro-structured, nanostructured, or fibrous materials or surface features such that when in contact with the core layer couple less light out of the core layer due to the smaller surface area in contact with the core layer. In one embodiment, by only coating the tips of the “macro” protrusions, for example, less nanostructured material is needed than coating the entire low contact area film or a planar film and the “valleys” or areas around the “macro” protrusions may be light transmitting, transparent, or translucent. In another embodiment, the micro-structured, nanostructured, or fibrous materials or surface features disposed on or within the “macro” surface features create an effective lower refractive index region that functions as a cladding layer. In one embodiment, the low contact area cover extracts less than one selected from the group: 30%, 20%, 10%, 5%, 2%, and 1% of the light from the core region in at least one region (or the entire region) of contact with the core layer or region adjacent the core layer. In another embodiment, the low contact area cover extracts more than one selected from the group: 1%, 5%, 10%, 15%, and 20% of the light from the lightguide in the light emitting region.

**[0302]** In one embodiment, the low contact area comprises standoffs, posts, or other protrusions that provide a separation distance between the low contact area cover and the core layer. In one embodiment, the standoffs, posts, or other protrusions are disposed in one or more regions of the low contact area cover selected from the group: the region adjacent the light emitting region, the region adjacent the surface opposite the light emitting surface, the region adjacent the light mixing region, the region adjacent the light input coupler, the region

adjacent the coupling lightguides, in a pattern on one surface of the low contact area cover, and in a pattern on both surfaces of the low contact area cover. In one embodiment, the standoffs, posts, or other protrusions of the low contact area cover have an average dimension in a direction parallel to the surface of the core layer or perpendicular to the core layer greater than one selected from the group: 5, 10, 20, 50, 100, 200, 500, and 1000 microns. In another embodiment, the aspect ratio (the height divided by the average width in the plane parallel to the core surface) is greater than one selected from the group: 1, 2, 5, 10, 15, 20, 50, and 100.

**[0303]** In another embodiment, the low contact area cover is physically coupled to the lightguide or core layer in one or more regions selected from the group: an area around the light emitting region of the lightguide, a periphery region of the lightguide that emits less than 5% of the total light flux emitted from the lightguide, a region of the housing of the input coupler, a cladded layer or region, a standoff region, a post region, a protrusions region, a “macro” surface feature region, a nano-structured feature region, a micro-structured feature region, and a plateau region disposed between valley regions by one or more selected from the group: chemical bonds, physical bonds, adhesive layer, magnetic attraction, electrostatic force, van der Waals force, covalent bonds, and ionic bonds. In another embodiment, the low contact area cover is laminated to the core layer.

**[0304]** In one embodiment, the low contact area cover is a sheet, film, or component comprising one or more selected from the group: paper, fibrous film or sheet, cellulosic material, pulp, low-acidity paper, synthetic paper, flashspun fibers, flashspun high-density polyethylene fibers, and a micro-porous film. In another embodiment, the film material of the low contact area cover or the area of the low contact area cover in contact with the core layer of the lightguide in the light emitting region comprises a material with a bulk refractive index or an effective refractive index in a direction parallel or perpendicular to the core surface less than one selected from the group: 1.6, 1.55, 1.5, 1.45, 1.41, 1.38, 1.35, 1.34, 1.33, 1.30, 1.25, and 1.20.

#### Wrap Around Low Contact Area Cover

**[0305]** In a further embodiment, the low contact area cover is the inner surface or physically coupled to a surface of a housing, holding device, or relative position maintaining element. In a further embodiment, the low contact area cover is a film which wraps around at least one coupling lightguide such that at least one lateral edge and at least one lateral surface is substantially covered such that the low contact area cover is disposed between the coupling lightguide and the outer surface of the device.

**[0306]** In another embodiment, a film-based lightguide comprises a low contact area cover wrapped around a first group of coupling lightguides wherein the low contact area cover is physically coupled to at least one selected from the group: lightguide, lightguide film, light input coupler, lightguide, housing, and thermal transfer element by a low contact area cover physical coupling mechanism. In another embodiment, the light emitting device comprises a first cylindrical tension rod disposed to apply tension to the low contact area cover film and hold the coupling lightguides close together and close to the lightguide such that the light input coupler has a lower profile. In another embodiment, the low contact area cover can be pulled taught after physically coupling to at least one selected from the group: lightguide, lightguide film, light

input coupler, lightguide, housing, thermal transfer element, and other element or housing by moving the first cylindrical tension rod away from a second tension bar or away from a physical coupling point of the mechanism holding the tension bar such as a brace. Other shapes and forms for the tension forming element may be used such as a rod with a rectangular cross-section, a hemispherical cross-section, or other element longer in a first direction capable of providing tension when translated or supporting tension when held stationary relative to other components. In another embodiment, a first cylindrical tension rod may be translated in a first direction to provide tension while remaining in a brace region and the position of the cylindrical tension rod may be locked or forced to remain in place by tightening a screw for example. In another embodiment, the tension forming element and the brace or physical coupling mechanism for coupling it to the another component of the light input coupler does not extend more than one selected from the group: 1 millimeter, 2 millimeters, 3 millimeters, 5 millimeters, 7 millimeters and 10 millimeters past at least one edge of the lightguide in the direction parallel to the longer dimension of the tension forming element.

**[0307]** In one embodiment, the low contact area cover substantially wraps around the film-based lightguide in one or more planes. In another embodiment, the low contact area cover substantially wraps around the film-based lightguide and one or more light input couplers. For example, in one embodiment the low contact area cover wraps around two input couplers disposed along opposite sides of a film based lightguide and the light emitting region of the lightguide disposed between the light input couplers. The other edges of the low contact cover may be sealed, bonded, clamped together or another material or enclosing method may seal or provide a barrier at the opposite edges to prevent dust or dirt contamination, for example. In this embodiment, for example, a backlight may comprise a substantially air-tight sealed film-based lightguide (and sealed coupling lightguides within the light input coupler) that does not have one or more cladding regions and is substantially protected from scratches or dust during assembly or use that could cause non-uniformities or reduce luminance or optical efficiency.

#### Low Hardness Low Contact Area Cover

**[0308]** In another embodiment, the low contact area cover has an ASTM D3363 pencil hardness under force from a 300 gram weight less than the outer surface region of the coupling lightguide disposed near the low contact area cover. In one embodiment, the low contact area cover comprises a silicone, polyurethane, rubber, or thermoplastic polyurethane with a surface relief pattern or structure. In a further embodiment, the ASTM D3363 pencil hardness under force from a 300 gram weight of the low contact area cover is at least 2 grades less than the outer surface region of the coupling lightguide disposed near the low contact area cover. In another embodiment, the low contact area cover has an ASTM D 3363 pencil hardness less than one selected from the group: 5H, 4H, 3H, 2H, H, and F.

#### Physical Coupling Mechanism for Low Contact Area Cover

**[0309]** In one embodiment, the low contact area cover is physically coupled in a first contact region to the light emitting device, light input coupler, lightguide, housing, second region of the low contact area cover, or thermal transfer element by one or more methods selected from the group:

sewing (or threading or feeding a fiber, wire, or thread) the low contact area cover to the lightguide, light mixing region, or other component, welding (sonic, laser, thermo-mechanically, etc.) the low contact area cover to one or more components, adhering (epoxy, glue, pressure sensitive adhesive, etc.) the low contact area cover to one or more components, fastening the low contact area cover to one or more components. In a further embodiment, the fastening mechanism is selected from the group: a batten, button, clamp, clasp, clip, clutch (pin fastener), flange, grommet, anchor, nail, pin, peg, clevis pin, cotter pin, linchpin, R-clip, retaining ring, circlip retaining ring, e-ring retaining ring, rivet, screw anchor, snap, staple, stitch, strap, tack, threaded fastener, captive threaded fasteners (nut, screw, stud, threaded insert, threaded rod), tie, toggle, hook-and-loop strips, wedge anchor, and zipper.

**[0310]** In one embodiment, the low contact area film is physically coupled a rigid support with a flexural rigidity or flexural modulus greater than 2 gigapascals when measured according to ASTM D790. In one embodiment, the rigid support is, for example without limitation: a frame or housing of the light emitting device, backlight or display; a frame that holds the film-based lightguide and/or the low contact area film substantially taught (under tension) or flat. In one embodiment, the film-based lightguide and/or the low contact area cover is physically coupled to a frame or housing in two or more regions outside of the light emitting region. For example, in one embodiment, the film-based lightguide is a silicone film with holes disposed over pegs in a frame or housing in two or more regions near the edges of the lightguide with a low contact area cover disposed between the film-based lightguide and the housing for a backlight. In another embodiment, the holes for physical coupling comprise reinforcement discs or a grommet adhered to and substantially concentric with the holes to reduce the possibility of the lightguide tearing. In another embodiment, the light emitting region of the film-based lightguide is physically coupled to a low contact area material or disposed between two low contact area materials and the flexural rigidity or flexural modulus of the combination of the contact area material(s) and the film-based lightguide is greater than one selected from the group: 2, 4, 6, 8, and 10 gigapascals when measured according to ASTM D790.

**[0311]** In another embodiment, the physical coupling mechanism maintains the flexibility of at least one selected from the group: the light emitting device, the lightguide, and the coupling lightguides. In a further embodiment, the total surface area of the physical coupling mechanism in contact with at least one selected from the group: low contact area cover, coupling lightguides, lightguide region, light mixing region, and light emitting device is less than one selected from the group: 70%, 50%, 30%, 10%, 5%, and 1%. In another embodiment, the total percentage of the cross sectional area of the layers comprising light propagating under total internal reflection comprising the largest component of the low contact area cover physical coupling mechanism in a first direction perpendicular to the optical axis of the light within the coupling lightguides, light mixing region or lightguide region relative to the cross-sectional area in the first direction is less than one selected from the group: 10%, 5%, 1%, 0.5%, 0.1%, and 0.05%. For example, in one embodiment, the low contact area cover is a flexible transparent polyurethane film with a surface comprising a regular two-dimensional array of embossed hemispheres disposed adjacent and wrapping around the stack of coupling lightguides and is physically



coupled to the light mixing region of the lightguide comprising a 25 micron thick core layer by threading the film to the light mixing region using a transparent nylon fiber with a diameter less than 25 microns into 25 micron holes at 1 centimeter intervals. In this example, the largest component of the physical coupling mechanism is the holes in the core region which can scatter light out of the lightguide. Therefore, the aforementioned cross sectional area of the physical coupling mechanism (the holes in the core layer) is 0.25% of the cross sectional area of the core layer. In another embodiment, the fiber or material threaded through the holes in one or more components comprises at least one selected from the group: polymer fiber, polyester fiber, rubber fiber, cable, wire (such as a thin steel wire), aluminum wire, and nylon fiber such as used in fishing line. In a further embodiment, the diameter of the fiber or material threaded through the holes is less than one selected from the group: 500 microns, 300 microns, 200 microns, 100 microns, 50 microns, 25 microns, and 10 microns. In another embodiment, the fiber or threaded material is substantially transparent or translucent.

**[0312]** In another embodiment, the physical coupling mechanism for the low contact area cover comprises holes within lightguide through which an adhesive, epoxy or other adhering material is deposited which bonds to the low contact area cover. In another embodiment, the adhesive, epoxy, or other adhering material bonds to the low contact area cover and at least one selected from the group: core region, cladding region, and lightguide. In another embodiment, the adhesive material has a refractive index greater than 1.48 and reduces the scatter out of the lightguide from the hole region over using an air gap or an air gap with a fiber, thread, or wire through the hole. In a further embodiment, an adhesive is applied as a coating on the fiber (which may be UV activated, cured, etc. after threading, for example) or an adhesive is applied to the fiber in the region of the hole such that the adhesive wicks into the hole to provide reduced scattering by at least one selected from the group: optically coupling the inner surfaces of the hole, and optically coupling the fiber to the inner surfaces of the hole.

**[0313]** The physical coupling mechanism in one embodiment may be used to physically couple together one or more elements selected from the group: film-based lightguide, low contact area cover film, housing, relative position maintaining element, light redirecting element or film, diffuser film, collimation film, light extracting film, protective film, touch-screen film, thermal transfer element, and other film or component within the light emitting device.

#### Lightguide Configuration and Properties

**[0314]** The use of plastic film with thickness less than 0.5 mm for edge lit lightguides can hold many advantages over using plastic plate or sheets. A flexible film may be able to be shaped to surfaces, be folded up for storage, change shape as needed, or wave in the air. Another advantage may be lower cost. The reduction in thickness helps reduce the cost for material, fabrication, storage and shipping for a lightguide of a given width and length. Another reason may be that the decreased thickness makes it able to be added to surfaces without appreciable change in the surface's shape, thickness and or appearance. For example, it can be added to the surface of a window easily without changing the look of the window. Another advantage may be that the film or lightguide can be rolled up. This helps in transportability, can hold some functionality, and may be particularly useful for hand-held

devices where a roll-out screen is used. A fifth reason is that the film can weigh less, which again makes it easier to handle and transport. A sixth reason may be that film is commonly extruded in large rolls so larger edge-lit signage can be produced. Finally, a seventh reason may be that there are many companies set up to coat, cut, laminate and manipulate film since film is useful for many other industries. Plastic films are made by blown or cast-extrusion in widths up to 6.096 meters or longer and in rolls thousands of meters long. Co-extrusion of different materials from two to 100 layers can be achieved with special extrusion dies.

#### Thickness of the Film or Lightguide

**[0315]** In one embodiment, the thickness of the film, lightguide or lightguide region is within a range of 0.005 mm to 0.5 mm. In another embodiment, the thickness of the film or lightguide is within a range of 0.025 millimeters to 0.5 millimeters. In a further embodiment, the thickness of the film, lightguide or lightguide region is within a range of 0.050 millimeters to 0.175 millimeters. In one embodiment, the thickness of the film, lightguide or lightguide region is less than 0.2 millimeters or less than 0.5 millimeters. In one embodiment, the average thickness of the lightguide or core region is less than one selected from the group: 150 microns, 100 microns, 60 microns, 30 microns, 20 microns, 10 microns, 6 microns, and 4 microns. In one embodiment, at least one selected from the group: thickness, largest thickness, average thickness, greater than 90% of the entire thickness of the film, lightguide, and a lightguide region is less than 0.2 millimeters. In another embodiment, the size to thickness ratio, defined as the largest dimension of the light emitting region in the plane of the light emitting region divided by the average thickness of the core region within the light emitting region is greater than one selected from the group: 100; 500; 1,000; 3,000; 5,000; 10,000; 15,000; 20,000; 30,000; and 50,000. In one embodiment, a display comprises a lightguide that is substantially thinner than the pixels of the spatial light modulator of the display such that the ratio of the largest pixel dimension to the thickness of the core region of the lightguide is greater than one selected from the group: 1, 1.5, 2, 4, 5, 6, 7, 8, 9, 10, 15, and 20.

**[0316]** In one embodiment, a light emitting device comprises a light source, a light input coupler, and a film-based lightguide wherein the average light flux density in the coupling lightguides, light mixing region, lightguide region, or light emitting region within the film-based lightguide is greater than one selected from the group: 5, 10, 20, 50, 100, 200, 300, 500, and 1000 lumens per cubic millimeter. In another embodiment, a light emitting device comprises a light source, a light input coupler, and a film-based lightguide wherein the maximum light flux density in the coupling lightguides, light mixing region, lightguide region, or light emitting region within the film-based lightguide is greater than one selected from the group: 5, 10, 20, 50, 100, 200, 300, 500, and 1000 lumens per cubic millimeter. The flux density in a region is measured by cutting an optical quality edge perpendicular to the surface at the region and masking off the area around the region (using light absorbing materials such that light is not substantially reflected back into the film) and measuring the far field luminous intensity using a goniophotometer.

#### Optical Properties of the Lightguide or Light Transmitting Material

**[0317]** With regards to the optical properties of lightguides or light transmitting materials for embodiments, the optical

properties specified herein may be general properties of the lightguide, the core, the cladding, or a combination thereof or they may correspond to a specific region (such as a light emitting region, light mixing region, or light extracting region), surface (light input surface, diffuse surface, flat surface), and direction (such as measured normal to the surface or measured in the direction of light propagation through the lightguide). In one embodiment, the average luminous transmittance of the lightguide measured within at least one selected from the group: the light emitting region, the light mixing region, and the lightguide according to ASTM D1003 with a BYK Gardner haze meter is greater than one selected from the group: 70%, 80%, 88%, 92%, 94%, 96%, 98%, and 99%. In another embodiment, the average luminous transmittance of the lightguide measured within the major light emitting area (the area comprising greater than 80% of the total light emitted from the lightguide) according to ASTM D1003 with a BYK Gardner haze meter is greater than one selected from the group: 70%, 80%, 88%, 92%, 94%, 96%, 98%, and 99%.

**[0318]** In another embodiment, the average haze of the lightguide measured within at least one selected from the group: the light emitting region, the light mixing region, and the lightguide measured with a BYK Gardner haze meter is less than one selected from the group: 70%, 60%, 50%, 40%, 30%, 20%, 10%, 5% and 3%. In another embodiment, the average clarity of the lightguide measured within at least one selected from the group: the light emitting region, the light mixing region, and the lightguide according to the measurement procedure associated with ASTM D1003 with a BYK Gardner haze meter is greater than one selected from the group: 70%, 80%, 88%, 92%, 94%, 96%, 98%, and 99%.

**[0319]** In a further embodiment, the diffuse reflectance of the lightguide measured within at least one selected from the group: the light emitting region, the light mixing region, and the lightguide using a Minolta CM-508d spectrophotometer is less than one selected from the group: 30%, 20%, 10%, 7%, 5%, and 2% with the spectral component included or with the spectral component excluded when placed above a light absorbing 6"×6"×6" box comprising Light Absorbing Black-Out Material from Edmund Optics Inc. on the inner walls. In another embodiment, the diffuse reflectance of the lightguide measured within the major light emitting area (the area comprising greater than 80% of the total light emitted from the lightguide) using a Minolta CM-508d spectrophotometer is less than one selected from the group: 30%, 20%, 10%, 7%, 5%, and 2% with the spectral component included or with the spectral component excluded when placed above a light absorbing 6"×6"×6" box comprising Light Absorbing Black-Out Material from Edmund Optics Inc. on the inner walls.

**[0320]** In another embodiment, the average clarity of the lightguide measured within at least one selected from the group: the light emitting region, the light mixing region, and the lightguide measured with a BYK Gardner haze meter is greater than one selected from the group: 70%, 80%, 88%, 92%, 94%, 96%, 98%, and 99%.

**[0321]** Factors which can determine the transmission of light through the film (in the thickness direction) include inherent material absorption, refractive index (light loss due to Fresnel reflections), scattering (refraction, reflection, or diffraction) from particles or features within the volume or on a surface or interface (size, shape, spacing, total number of particles or density in two orthogonal directions parallel to the film plane and the plane orthogonal to the film), absorption/

scattering/reflection/refraction due to other materials (additional layers, claddings, adhesives, etc.), anti-reflection coatings, surface relief features.

**[0322]** In one embodiment, the use of a thin film for the lightguide permits the reduction in size of light extraction features because more waveguide modes will reach the light extraction feature when the thickness of the film is reduced. In a thin lightguide, the overlap of modes is increased when the thickness of the waveguide is reduced.

**[0323]** In one embodiment, the film-based lightguide has a graded refractive index profile in the thickness direction. In another embodiment, the thickness of the lightguide region or lightguide is less than 10 microns. In a further embodiment, the thickness of the lightguide region is less than 10 microns and the lightguide is a single mode lightguide.

**[0324]** In one embodiment, the light transmitting material used in at least one selected from the group: coupling lightguide, lightguide, lightguide region, optical element, optical film, core layer, cladding layer, and optical adhesive has an optical absorption (dB/km) less than one selected from the group: 50, 100, 200, 300, 400, and 500 dB/km for a wavelength range of interest. The optical absorption value may be for all of the wavelengths throughout the range of interest or an average value throughout the wavelengths of interest. The wavelength range of interest for high transmission through the light transmitting material may cover the light source output spectrum, the light emitting device output spectrum, optical functionality requirements (IR transmission for cameras, motion detectors, etc., for example), or some combination thereof. The wavelength range of interest may be a wavelength range selected from the group: 400 nm-700 nm, 300 nm-800 nm, 300 nm-1200 nm, 300 nm-350 nm, 300-450 nm, 350 nm-400 nm, 400 nm-450 nm, 450 nm-490 nm, 490 nm-560 nm, 500 nm-550 nm, 550 nm-600 nm, 600 nm-650 nm, 635 nm-700 nm, 650 nm-700 nm, 700 nm-750 nm, 750 nm-800 nm, and 800 nm-1200 nm.

**[0325]** Collimated light propagating through light transmitting material may be reduced in intensity after passing through the material due to scattering (scattering loss coefficient), absorption (absorption coefficient), or a combination of scattering and absorption (attenuation coefficient). In one embodiment, the core material of the lightguide has an average absorption coefficient for collimated light less than one selected from the group: 0.03 cm<sup>-1</sup>, 0.02 cm<sup>-1</sup>, 0.01 cm<sup>-1</sup>, and 0.005 cm<sup>-1</sup> over the visible wavelength spectrum from 400 nanometers to 700 nanometers. In another embodiment, the core material of the lightguide has an average scattering loss coefficient for collimated light less than one selected from the group: 0.03 cm<sup>-1</sup>, 0.02 cm<sup>-1</sup>, 0.01 cm<sup>-1</sup>, and 0.005 cm<sup>-1</sup> over the visible wavelength spectrum from 400 nanometers to 700 nanometers. In one embodiment, the core material of the lightguide has an average attenuation coefficient for collimated light less than one selected from the group: 0.03 cm<sup>-1</sup>, 0.02 cm<sup>-1</sup>, 0.01 cm<sup>-1</sup>, and 0.005 cm<sup>-1</sup> over the visible wavelength spectrum from 400 nanometers to 700 nanometers. In another embodiment, the lightguide is disposed to receive infrared light and the average of at least one selected from the group: absorption coefficient, scattering loss coefficient, and attenuation coefficient of the core layer or cladding layer for collimated light is less than one selected from the group: 0.03 cm<sup>-1</sup>, 0.02 cm<sup>-1</sup>, 0.01 cm<sup>-1</sup>, and 0.005 cm<sup>-1</sup> over the wavelength spectrum from 700 nanometers to 900 nanometers.

**[0326]** In one embodiment, the lightguide has a low absorption in the UV and blue region and the lightguide further comprises a phosphor film or wavelength conversion element. By using a blue or UV light source and a wavelength conversion element near the output surface of the lightguide for generation of white light, the light transmitting material can be optimized for very high blue or UV light transmission. This can increase the range of materials suitable for lightguides to include those that have high absorption coefficients in the green and red wavelength regions for example.

**[0327]** In another embodiment, the lightguide is the substrate for a display technology. Various high performance films are known in the display industry as having sufficient mechanical and optical properties. These include, but are not limited to polycarbonate, PET, PMMA, PEN, COC, PSU, PFA, FEP, and films made from blends and multilayer components. In one embodiment, the light extraction feature is formed in a lightguide region of a film before or after the film is utilized as a substrate for the production or use as a substrate for a display such as an OLED display, MEMs based display, polymer film-based display, bi-stable display, electrophoretic display, electrochromic display, electro-optical display, passive matrix display, or other display that can be produced using polymer substrates.

#### Refractive Index of the Light Transmitting Material

**[0328]** In one embodiment, the core material of the lightguide has a high refractive index and the cladding material has a low refractive index. In one embodiment, the core is formed from a material with a refractive index ( $n_D$ ) greater than one selected from the group: 1.3, 1.4, 1.5, 1.6, 1.7, 1.8, 1.9, 2.0, 2.1, 2.2, 2.3, 2.4, 2.5, 2.6, 2.7, 2.8, 2.9, and 3.0. In another embodiment, the refractive index ( $n_D$ ) of the cladding material is less than one selected from the group: 1.1, 1.2, 1.3, 1.4, 1.5, 1.6, 1.7, 1.8, 1.9, 2.0, 2.1, 2.2, 2.3, 2.4, and 2.5.

**[0329]** In one embodiment, the core region of the film-based lightguide comprises a material with a refractive index difference in two or more orthogonal directions less than one selected from the group: 0.1, 0.05, 0.02, 0.01, 0.005, and 0.001. In one embodiment the light transmitting material is semicrystalline with a low refractive index birefringence. In another embodiment, the light transmitting material is substantially amorphous and has a low stress-induced birefringence.

**[0330]** The core or the cladding or other light transmitting material used within an embodiment may be a thermoplastic, thermoset, rubber, polymer, silicone or other light transmitting material. Optical products can be prepared from high index of refraction materials, including monomers such as high index of refraction (meth)acrylate monomers, halogenated monomers, and other such high index of refraction monomers as are known in the art. High refractive index materials such as these and others are disclosed, for example, in U.S. Pat. Nos. 4,568,445; 4,721,377; 4,812,032; 5,424,339; 5,183,917; 6,541,591; 7,491,441; 7,297,810, 6,355,754, 7,682,710; 7,642,335; 7,632,904; 7,407,992; 7,375,178; 6,117,530; 5,777,433; 6,533,959; 6,541,591; 7,038,745 and U.S. patent application Ser. Nos. 11/86,6521; 12/165,765; 12/307,555; and 11/556,432. High refractive index pressure sensitive adhesives such as those disclosed in U.S. patent application Ser. No. 12/608,019 may also be used as a core layer or layer component.

**[0331]** Low refractive index materials include sol gels, fluoropolymers, fluorinated sol-gels, PMP, and other materi-

als such as fluoropolyether urethanes such as those disclosed in U.S. Pat. No. 7,575,847, and other low refractive index material such as those disclosed in U.S. patent application Ser. Nos. 11/972,034; 12/559,690; 12/294,694; 10/098,813; 11/026,614; and U.S. Pat. Nos. 7,374,812; 7,709,551; 7,625,984; 7,164,536; 5,594,830 and 7,419,707.

**[0332]** Materials such as nanoparticles (titanium dioxide, and other oxides for example), blends, alloys, doping, sol gel, and other techniques may be used to increase or decrease the refractive index of a material.

**[0333]** In another embodiment the refractive index or location of a region of lightguide or lightguide region changes in response to environmental changes or controlled changes. These changes can include electrical current, electromagnetic field, magnetic field, temperature, pressure, chemical reaction, movement of particles or materials (such as electrophoresis or electrowetting), optical irradiation, orientation of the object with respect to gravitational field, MEMS devices, MOEMS devices, and other techniques for changing mechanical, electrical, optical or physical properties such as those known in the of smart materials. In one embodiment, the light extraction feature couples more or less light out of the lightguide in response to an applied voltage or electromagnetic field. In one embodiment, the light emitting device comprises a lightguide wherein properties of the lightguide (such as the position of the lightguide) which change to couple more less light out of a lightguide such as those incorporated in MEMs type displays and devices as disclosed in U.S. patent application Ser. Nos. 12/511,693; 12/606,675; 12/221,606; 12/258,206; 12/483,062; 12/221,193; 11/975,411 11/975,398; Oct. 31, 2003; Ser. No. 10/699,397 and U.S. Pat. Nos. 7,586,560; 7,535,611; 6,680,792; 7,556,917; 7,532,377; and 7,297,471.

#### Edges of the Lightguide

**[0334]** In one embodiment, the edges of the lightguide or lightguide region are coated, bonded to or disposed adjacent to a specularly reflecting material, partially diffusely reflecting material, or diffuse reflecting material. In one embodiment, the lightguide edges are coated with a specularly reflecting ink comprising nano-sized or micron-sized particles or flakes which reflect the light substantially specularly. In another embodiment, a light reflecting element (such as a specularly reflecting multi-layer polymer film with high reflectivity) is disposed near the lightguide edge and is disposed to receive light from the edge and reflect it and direct it back into the lightguide. In another embodiment, the lightguide edges are rounded and the percentage of light diffracted from the edge is reduced. One method of achieving rounded edges is by using a laser to cut the lightguide from a film and achieve edge rounding through control of the processing parameters (speed of cut, frequency of cut, laser power, etc.). In another embodiment, the edges of the lightguide are tapered, angled serrated, or otherwise cut or formed such that light from a light source propagating within the coupling lightguide reflects from the edge such that it is directed into an angle closer to the optical axis of the light source, toward a folded region, toward a bent region, toward a lightguide, toward a lightguide region, or toward the optical axis of the light emitting device. In a further embodiment, two or more light sources are disposed to each couple light into two or more coupling lightguides comprising light re-directing regions for each of the two or more light sources that comprise first and second reflective surfaces which direct a por-

tion of light from the light source into an angle closer to the optical axis of the light source, toward a folded or bent region, toward a lightguide region, toward a lightguide region, or toward the optical axis of the light emitting device. In one embodiment, one or more edges of the coupling lightguides, the lightguide, the light mixing region, or the lightguide region comprise a curve or arcuate profile in the region of intersection between two or more surfaces of the film in a region. In one embodiment, the edges in a region have a curved profile instead of a sharp corner to reduce diffractive effects and extraction of light near the region. In one embodiment, the edges of one or more regions are round cut edges, such as a semi-circular arc to remove the corners that can act as diffracting elements on the propagating light. Very thin lightguides (e.g. less than 150 microns thick) have a higher probability that light is diffracted when encountering a sharp corner. Rounded corners can be achieved, for example without limitation, by laser-cutting an acrylic film to leave a melted edge that re-solidifies into a rounded edge.

#### Surfaces of the Lightguide

**[0335]** In one embodiment, at least one surface of the lightguide or lightguide region is coated, bonded to or disposed adjacent to a specularly reflecting material, partially diffusely reflecting material, or diffuse reflecting material. In one embodiment, at least on lightguide surface is coated with a specularly reflecting ink comprising nano-sized or micron-sized particles or flakes which reflect the light substantially specularly. In another embodiment, a light reflecting element (such as a specularly reflecting multi-layer polymer film with high reflectivity) is disposed near the lightguide surface opposite the light emitting surface and is disposed to receive light from the surface and reflect it and direct it back into the lightguide. In another embodiment, the outer surface of at least one lightguide or component coupled to the lightguide comprises a microstructure to reduce the appearance of fingerprints. Such microstructures are known in the art of hard-coatings for displays and examples are disclosed in U.S. patent application Ser. No. 12/537,930.

#### Shape of the Lightguide

**[0336]** In one embodiment, at least a portion of the lightguide shape or lightguide surface is at least one selected from the group: substantially planar, curved, cylindrical, a formed shape from a substantially planar film, spherical, partially spherical, angled, twisted, rounded, have a quadric surface, spheroid, cuboid, parallelepiped, triangular prism, rectangular prism, ellipsoid, ovoid, cone pyramid, tapered triangular prism, wave-like shape, and other known geometrical solids or shapes. In one embodiment, the lightguide is a film which has been formed into a shape by thermoforming or other forming technique. In another embodiment, the film or region of the film is tapered in at least one direction. In a further embodiment, a light emitting device comprises a plurality of lightguides and a plurality of light sources physically couple or arranged together (such as tiled in a 1x2 array for example). In another embodiment, the lightguide region of the film comprises or is substantially in the shape of one selected from the group: rectangular, square, circle, doughnut shaped (elliptical with a hole in the inner region), elliptical, linear strip, and tube (with a circular, rectangular, polygonal, or other shaped cross-section). In one embodiment, the film-based lightguide is stamped, bent, folded or otherwise reshaped in one or more

places (such as in the coupling lightguides, the lightguide region, or light mixing region, for example) to assist in maintaining its location relative to another component or attach it to or guide it relative to another component (such as the housing, frame, light input coupler, device housing, for example without limitation).

**[0337]** In one embodiment, a light emitting device comprises a lightguide formed from a film into a hollow cylindrical tube comprises coupling lightguide strips branching from the film on a short edge toward the inner portion of the cylinder. In another embodiment, a light emitting device comprises a film lightguide with coupling lightguides cut into the film so that they remain coupled to the lightguide region and the central strip is not optically coupled to the lightguide and provides a spine with increased stiffness in at least one direction near the central strip region or lightguide region near the strip. In a further embodiment, a light emitting device comprises lightguides with light input couplers arranged such that the light source is disposed in the central region of the edge of the lightguide and that the light input coupler (or a component thereof) does not extend past the edge and enables the lightguides to be tiled in at least one of a 1x2, 2x2, 2x3, 3x3 or larger array. In another embodiment, a light emitting device comprises light emitting lightguides wherein the separation between the lightguides in at least one direction along the light emitting surface is less than one selected from the group: 10 mm, 5 mm, 3 mm, 2 mm, 1 mm and 0.5 mm.

**[0338]** In another embodiment, the lightguide comprises single fold or bend near an edge of the lightguide such that the lightguide folds under or over itself. In this embodiment, light which would ordinarily be lost at the edge of a lightguide may be further extracted from the lightguide after the fold or bend to increase the optical efficiency of the lightguide or device. In another embodiment, the light extraction features on the lightguide disposed in the optical path of the light within the lightguide after the fold or bend provide light extraction features that increase at least one selected from the group: luminance, luminance uniformity, color uniformity, optical efficiency, and image or logo clarity or resolution.

#### Edges Fold Around Back onto the Lightguide

**[0339]** In one embodiment, at least one edge region selected from the group: the lightguide, the lightguide region, and the coupling lightguides folds or bends back upon itself and is optically coupled to the lightguide, lightguide region or coupling lightguide such that a portion entering the edge region is coupled back into the lightguide, lightguide region, or coupling lightguide in a direction away from the edge region. The edge regions may be adhered using an adhesive such as PSA or other adhesive, thermally bonded, or otherwise optically coupled back onto the lightguide, lightguide region, or coupling lightguide. In one embodiment, folding the edge regions of the lightguide redirects light that would normally exit the edge of the film back into the lightguide, and the optical efficiency of the system is increased.

**[0340]** In another embodiment, the thickness of the lightguide, lightguide region, or coupling lightguide is thinner in the region near an edge than the average thickness of the lightguide in the light emitting region or lightguide region. In another embodiment, the thickness of the lightguide, lightguide region, or coupling lightguide is less than one selected from the group: 90%, 80%, 70%, 60%, 50%, 40%, 30%, 20%, 10%, and 5% of the average thickness of the lightguide in the light emitting region or lightguide region.

**[0341]** In one embodiment, the thickness of the lightguide, lightguide region, or coupling lightguide is tapered in the region near an edge. In one embodiment, tapering the thickness in the region near edge permits more light to couple back into the lightguide when it is optically coupled to the surface of the lightguide or lightguide region.

**[0342]** In one embodiment, the light emitting device has an optical efficiency, defined as the luminous flux of the light exiting the light emitting device in the light emitting region divided by the luminous flux of the light exiting the light source disposed to direct light into the input coupler, greater than one selected from the group: 50%, 60%, 70%, 80%, and 90%.

**[0343]** In another embodiment, the edge region of a lightguide not disposed to receive light directly from a light source or light input coupler is formed or coupled into a light output coupler comprising coupling lightguides which are folded or bent to create a light output surface. In another embodiment, the light output surface is optically coupled to or disposed proximal to a light input surface of a light input coupler for the same lightguide or film or a second lightguide or film. In this embodiment, the light reaching the edge of a lightguide may be coupled into coupling strips which are folded and bent to direct light back into the lightguide and recycle the light.

Reflecting Features Cut into the Edge of the Lightguide

**[0344]** In one embodiment, one or more regions of the film-based lightguide comprise reflective features disposed to reflect light within a first angular range back into the lightguide by total-internal reflection. In one embodiment, the reflective features are one or more shaped features cut along the edge selected from the group: angled features, triangular features, triangular features with an apex angle of substantially 90 degrees, arcs, semicircular arcs, shapes with arcuate and linear features, multi-faceted shapes, and polygonal shapes. For example, in one embodiment, a light emitting device comprises a light input coupler disposed along one side and a plurality of “zig-zagged” angled cuts in the film on the opposite side with 90 degree apex angles. In this embodiment, the light within the film that reaches the angled cuts directly at about 0 degrees from the opposite side will substantially retro-reflect back into the lightguide. The shape, angle, refractive index and location of the angled cuts will affect the angular range and percentage of light reflected back into the lightguide. The cuts may be “micro-cuts” such that they do not substantially extend the lateral distance of the film-based lightguide. In one embodiment, the optical axis of the light propagating in the film-based lightguide is in the x direction and the apex angle of the reflecting features is 90 degrees such that the reflectance of the light that is not extracted by the light extracting surface features is maximized and directed back toward the light emitting region to be recycled. Other faceted shapes or curved shapes may also be cut from the edge to achieve a desired reflection or light transmitting properties.

Lightguide Material

**[0345]** In one embodiment, a light emitting device comprises a lightguide or lightguide region formed from at least one light transmitting material. In one embodiment, the lightguide is a film comprising at least one core region and at least one cladding region, each comprising at least one light transmitting material. In one embodiment, the core material is substantially flexible (such as a rubber or adhesive) and the cladding material supports and provides at least one selected

from the group: increased flexural modulus, increased impact strength, increased tear resistance, and increased scratch resistance for the combined element. In another embodiment, the cladding material is substantially flexible (such as a rubber or adhesive) and the core material supports and provides at least one selected from the group: increased flexural modulus, increased impact strength, increased tear resistance, and increased scratch resistance for the combined element.

**[0346]** The light transmitting material used within an embodiment may be a thermoplastic, thermoset, rubber, polymer, high transmission silicone, glass, composite, alloy, blend, silicone, other light transmitting material, or a combination thereof.

**[0347]** In one embodiment, a component or region of the light emitting device comprises a light transmitting material selected from the group: cellulose derivatives (e.g., cellulose ethers such as ethylcellulose and cyanoethylcellulose, cellulose esters such as cellulose acetate), acrylic resins, styrenic resins (e.g., polystyrene), polyvinyl-series resins [e.g., poly(vinyl ester) such as poly(vinyl acetate), poly(vinyl halide) such as poly(vinyl chloride), polyvinyl alkyl ethers or polyether-series resins such as poly(vinyl methyl ether), poly(vinyl isobutyl ether) and poly(vinyl t-butyl ether)], polycarbonate-series resins (e.g., aromatic polycarbonates such as bisphenol A-type polycarbonate), polyester-series resins (e.g., homopolyesters, for example, polyalkylene terephthalates such as polyethylene terephthalate and polybutylene terephthalate, polyalkylene naphthalates corresponding to the polyalkylene terephthalates; copolyesters containing an alkylene terephthalate and/or alkylene naphthalate as a main component; homopolymers of lactones such as polycaprolactone), polyamide-series resin (e.g., nylon 6, nylon 66, nylon 610), urethane-series resins (e.g., thermoplastic polyurethane resins), copolymers of monomers forming the above resins [e.g., styrenic copolymers such as methyl methacrylate-styrene copolymer (MS resin), acrylonitrile-styrene copolymer (AS resin), styrene-(meth)acrylic acid copolymer, styrene-maleic anhydride copolymer and styrene-butadiene copolymer, vinyl acetate-vinyl chloride copolymer, vinyl alkyl ether-maleic anhydride copolymer]. Incidentally, the copolymer may be whichever of a random copolymer, a block copolymer, or a graft copolymer.

Lightguide Material Comprises Glass

**[0348]** In one embodiment, the coupling lightguides comprise a core material comprising a glass material. In one embodiment, the glass material is one selected from the group: fused silica, ultraviolet grade fused silica (such as JGS1 by Dayoptics Inc., Suprasil® 1 and 2 by Heraeus Quartz America, LLC., Spectrosil® A and B by Saint-Gobain Quartz PLC, and Corning 7940 by Corning Incorporated, Dynasil® Synthetic Fused Silica 1100 and 4100 by Dynasil Corporation), optical grade fused quartz, full spectrum fused silica, borosilicate glass, crown glass, and aluminoborosilicate glass.

**[0349]** In another embodiment, the core material comprises a glass which is coated, or has an organic material applied to at least one selected from the group: the edge, the top surface, and the bottom surface. In one embodiment, the coating on the glass functions to at least one selected from the group: provide a cladding region, increase impact resistance, and provide increased flexibility. In another embodiment, the coupling lightguides comprising glass, a polymeric material,

or a rubber material are heated to a temperature above their glass transition temperature or VICAT softening point before folding in a first direction.

#### Multilayer Lightguide

**[0350]** In one embodiment, the lightguide comprises at least two layers or coatings. In another embodiment, the layers or coatings function as at least one selected from the group: a core layer, a cladding layer, a tie layer (to promote adhesion between two other layers), a layer to increase flexural strength, a layer to increase the impact strength (such as Izod, Charpy, Gardner, for example), and a carrier layer. In a further embodiment, at least one layer or coating comprises a microstructure, surface relief pattern, light extraction features, lenses, or other non-flat surface features which redirect a portion of incident light from within the lightguide to an angle whereupon it escapes the lightguide in the region near the feature. For example, the carrier film may be a silicone film with embossed light extraction features disposed to receive a thermoset polycarbonate resin. In another embodiment, the carrier film is removed from contact with the core material in at least one region. For example, the carrier film may be an embossed PEP film and a thermoset methacrylate based resin is coated upon the film and cured by heat, light, other radiation, or a combination thereof. In another embodiment, the core material comprises a methacrylate material and the cladding comprises a silicone material. In another embodiment, a cladding material is coated onto a carrier film and subsequently, a core layer material, such as a silicone, a PC, or a PMMA based material, is coated or extruded onto the cladding material. In one embodiment, the cladding layer is too thin to support itself in a coating line and therefore a carrier film is used. The coating may have surface relief properties on the side opposite the carrier film, for example.

**[0351]** In one embodiment, the lightguide comprises a core material disposed between two cladding regions wherein the core region comprises a polymethyl methacrylate, polystyrene, or other amorphous polymer and the lightguide is bent at a first radius of curvature and the core region and cladding region are not fractured in the bend region, wherein the same core region comprising the same polymethyl methacrylate without the cladding regions or layers fractures more than 50% of the time when bent at the first radius of curvature. In another embodiment, a lightguide comprises substantially ductile polymer materials disposed on both sides of a substantially brittle material of a first thickness such as PMMA or polystyrene without impact modifiers and the polymer fracture toughness or the ASTM D4812 un-notched Izod impact strength of the lightguide is greater than a single layer of the brittle material of a first thickness.

#### Core Region Comprising a Thermoset Material

**[0352]** In one embodiment, a thermoset material is coated onto a thermoplastic film wherein the thermoset material is the core material and the cladding material is the thermoplastic film or material. In another embodiment, a first thermoset material is coated onto a film comprising a second thermoset material wherein the first thermoset material is the core material and the cladding material is the second thermoset plastic.

**[0353]** In one embodiment, an epoxy resin that has generally been used as a molding material may be used as the epoxy resin (A). Examples include epoxidation products of novolac resins derived from phenols and aldehydes, such as phenol

novolac epoxy resins and ortho-cresol novolac epoxy resins; diglycidyl ethers of bisphenol A, bisphenol F, bisphenol S, alkyl-substituted bisphenol, or the like; glycidylamine epoxy resins obtained by the reaction of a polyamine such as diaminodiphenylmethane and isocyanuric acid with epichlorohydrin; linear aliphatic epoxy resins obtained by oxidation of olefin bonds with a peracid such as peracetic acid; and alicyclic epoxy resins. Any two or more of these resins may be used in combination. Examples of thermoset resins further include bisphenol A epoxy resins, bisphenol F epoxy resins, bisphenol S epoxy resins, diglycidyl isocyanurate, and triglycidyl isocyanurate, P(MMA-d8) material, fluorinated resin, deuterated polymer, poly(fluoroalkyl-MA), poly(deuterated fluoroalkyl-MA), trideutero hexafluorobutyl-pentadeutero methacrylate, and triazine derived epoxy resin.

**[0354]** In another embodiment, the thermosetting resin is a thermosetting silicone resin. In a further embodiment, the thermosetting silicone resin composition comprises a condensation reactable substituent group-containing silicon compound and an addition reactable substituent group-containing silicon compound. In another embodiment, the thermosetting silicone resin composition comprises a dual-end silanol type silicone oil as the condensation reactable substituent group-containing silicon compound; an alkenyl group-containing silicon compound; an organohydrogensiloxane as the addition reactable substituent group-containing silicon compound; a condensation catalyst; and a hydrosilylation catalyst. In one embodiment, the thermosetting resin is a methylphenyl dimethyl copolymer or comprises a silicone based material such as disclosed in U.S. Pat. No. 7,551,830. In another embodiment, the thermosetting resin comprises a polydiorganosiloxane having an average, per molecule, of at least two aliphatically unsaturated organic groups and at least one aromatic group; (B) a branched polyorganosiloxane having an average, per molecule, of at least one aliphatically unsaturated organic group and at least one aromatic group; (C) a polyorganohydrogensiloxane having an average per molecule of at least two silicon-bonded hydrogen atoms and at least one aromatic group, (D) a hydrosilylation catalyst, and (E) a silylated acetylenic inhibitor. In another embodiment, the thermosetting comprises a silicone, polysiloxane, or silsesquioxane material such as disclosed in U.S. patent application Ser. Nos. 12/085,422 and 11/884,612.

**[0355]** In a further embodiment, the thermosetting material comprises: a liquid crystalline thermoset oligomer containing at least aromatic or alicyclic structural unit with a kink structure in the backbone and having one or two thermally crosslinkable reactive groups to introduced at one or both ends of the backbone; either a crosslinking agent having thermally crosslinkable reactive groups at both ends thereof or an epoxy compound or both; and an organic solvent. In a further embodiment, the thermosetting composition comprises at least on selected from the group: an aluminosiloxane, a silicone oil containing silanol groups at both ends, an epoxy silicone, and a silicone elastomer. In this thermosetting composition, it is considered that each of hydroxyl groups of the aluminosiloxane and/or the silicone oil containing silanol groups at both ends, and a highly reactive epoxy group of the epoxy silicone are reacted and cross-linked, at the same time the silicone elastomer is cross-linked by a hydrosilylation reaction therewith. In another embodiment, the thermoset is a photopolymerizable composition. In another embodiment, the photopolymerizable composition comprises: a silicon-containing resin comprising silicon-bonded hydrogen and

aliphatic unsaturation, a first metal-containing catalyst that may be activated by actinic radiation, and a second metal-containing catalyst that may be activated by heat but not the actinic radiation.

**[0356]** In another embodiment, the thermosetting resin comprises a silsesquioxane derivative or a Q-containing silicone. In another embodiment, the thermosetting resin is a resin with substantially high transmission such as those disclosed in U.S. patent application Ser. Nos. 12/679,749, 12/597,531, 12/489,881, 12/637,359, 12/637,359, 12/549,956, 12/759,293, 12/553,227, 11/137,358, 11/391,021, and 11/551,323.

**[0357]** In one embodiment, the lightguide material for the core region comprises a material with a glass transition temperature less than one selected from the group: -100, -110, -120, -130, -140, -150 degrees Celsius. In another embodiment, the material for the core region of the lightguide comprises a material with a Young's modulus less than one selected from the group: 2.8, 2, 1.8, 1.6, 1.5, 1.2, 1, 0.8, 0.6, 0.4, 0.2, 0.1, 0.08, 0.06, and 0.04 kilopascals. In one embodiment, a material with a low Young's modulus and/or low glass transition temperature is used to reduce tears or cuts when the coupling lightguides are folded, such as, for example without limitation, when using a relative position maintaining element.

**[0358]** In a further embodiment, the lightguide comprises a thermoset resin that is coated onto an element of the light emitting device (such as a carrier film with a coating, an optical film, the rear polarizer in an LCD, a brightness enhancing film, a thermal transfer element such as a thin sheet comprising aluminum, or a white reflector film) and subsequently cured or thermoset.

#### Lightguide Material with Adhesive Properties

**[0359]** In another embodiment, the lightguide comprises a material with at least one selected from the group: chemical adhesion, dispersive adhesion, electrostatic adhesion, diffusive adhesion, and mechanical adhesion to at least one element of the light emitting device (such as a carrier film with a coating, an optical film, the rear polarizer in an LCD, a brightness enhancing film, another region of the lightguide, a coupling lightguide, a thermal transfer element such as a thin sheet comprising aluminum, or a white reflector film). In a further embodiment, at least one of the core material or cladding material of the lightguide is an adhesive material. In a further embodiment, at least one selected from the group: core material, cladding material, and a material disposed on a cladding material of the lightguide is at least one selected from the group: a pressure sensitive adhesive, a contact adhesive, a hot adhesive, a drying adhesive, a multi-part reactive adhesive, a one-part reactive adhesive, a natural adhesive, and a synthetic adhesive. In a further embodiment, the first core material of a first coupling lightguide is adhered to the second core material of a second coupling lightguide due to the adhesion properties of the first core material, second core material, or a combination thereof. In another embodiment, the cladding material of a first coupling lightguide is adhered to the core material of a second coupling lightguide due to the adhesion properties of the cladding material. In another embodiment, the first cladding material of a first coupling lightguide is adhered to the second cladding material of a second coupling lightguide due to the adhesion properties of the first cladding material, second cladding material, or a combination thereof. In one embodiment, the core layer is an adhesive and is coated onto at least one selected from the

group: cladding layer, removable support layer, protective film, second adhesive layer, polymer film, metal film, second core layer, low contact area cover, and planarization layer. In another embodiment, the cladding material or core material has adhesive properties and has an ASTM D3330 Peel strength greater than one selected from the group: 8.929, 17.858, 35.716, 53.574, 71.432, 89.29, 107.148, 125.006, 142.864, 160.722, 178.580 kilograms per meter of bond width when adhered to an element of the light emitting device, such as for example without limitation, a cladding layer, a core layer, a low contact area cover, a circuit board, or a housing.

**[0360]** In another embodiment, a tie layer, primer, or coating is used to promote adhesion between at least one selected from the group: core material and cladding material, lightguide and housing, core material and element of the light emitting device, cladding material and element of the light emitting device. In one embodiment, the tie layer or coating comprises a dimethyl silicone or variant thereof and a solvent. In another embodiment, the tie layer comprises a phenyl based primer such as those used to bridge phenylsiloxane-based silicones with substrate materials. In another embodiment, the tie layer comprises a platinum-catalyzed, addition-cure silicone primer such as those used to bond plastic film substrates and silicone pressure sensitive adhesives.

**[0361]** In a further embodiment, at least one region of the core material or cladding material has adhesive properties and is optical coupled to a second region of the core or cladding material such that the ASTM D1003 luminous transmittance through the interface is at least one selected from the group: 1%, 2%, 3%, and 4% greater than the transmission through the same two material at the same region with an air gap disposed between them.

**[0362]** In one embodiment, the core material of the lightguide comprises a material with a critical surface tension less than one selected from the group: 33, 32, 30, 27, 25, 24 and 20 mN/m. In another embodiment, the core material has a critical surface tension less than one selected from the group: 33, 30, 27, 25, 24 and 20 mN/m and is surface treated to increase the critical surface tension to greater than one selected from the group: 27, 30, 33, 35, 37, 40, and 50. In one embodiment, the surface treatment includes exposing the surface to at least one selected from the group: a plasma, a flame, and a tie layer material. In one embodiment, the surface tension of the core material of the lightguide is reduced to reduce light extraction from a surface in contact due to "wet-out" and optical coupling. In another embodiment, the surface tension of the surface of the lightguide

#### Outermost Surface of the Film or Lightguide

**[0363]** In one embodiment, the outermost surface of the film, lightguide or lightguide region comprises at least one selected from the group: a cladding, a surface texture to simulate a soft feel or match the surface texture of cloth or upholstery, a refractive element to collimate light from the light extraction features (such as microlens array), an adhesive layer, a removable backing material, an anti-reflection coating, an anti-glare surface, and a rubber surface.

#### Surface Relief on the Outermost Surface of the Film-Based Lightguide or Light Emitting Film

**[0364]** In one embodiment, the outermost surface of the film, lightguide, light emitting film, light redirecting element,

or light emitting device comprises surface relief features and the ASTM D523-89 60 degree gloss of the surface is less than one selected from the group: 100, 50, 25, and 15. In one embodiment, the gloss on the outer surface reduces ambient glare light intensity that would highlight the surface. For example, in one embodiment, the light emitting device comprises a lightguide with an outermost surface with a uniform low gloss of 2 gloss units. When this lightguide is disposed on a wall with a matte or diffusing surface with a gloss of about 2 gloss units, the substantially transparent or translucent lightguide with high visible light transmittance is nearly invisible, even at glare angles from light sources due to the matching of the gloss of the outermost surface. In this embodiment, the light emitting device is significantly less visible in the off-state in an application such as a wall mounted light fixture. In one embodiment, the outermost surface with the low gloss is a surface of an anti-glare film, embossed film, cladding layer, light redirecting element, light turning optical element, light collimating optical element, lightguide, core region (where there is no cladding surface on that side of the core region), light re-directing element, light emitting device cover, lens, or a housing element.

**[0365]** In one embodiment, the outermost surface of the film, lightguide, light emitting film, light redirecting element, or light emitting device has an ASTM D523-89 60 degree gloss greater than one selected from the group: 50, 70, 90, 100, and 110. In this embodiment, the high gloss can match a glossy surface such as a window, glass partition, metal surface, etc. such that is less visible in the off state at glare angles. In another embodiment, a kit comprises a light emitting device and one or more films with gloss levels different from a region of the outermost surface of the light emitting device such that may be attached to an outermost surface region of the light emitting device to allow a choice of gloss level for the new outermost surface. For example, a film with the correct gloss level may be chosen to match the gloss level of the wall adjacent the light emitting device.

#### Light Extraction Method

**[0366]** In one embodiment, at least one selected from the group: the lightguide, the lightguide region, and the light emitting region comprises at least one light extraction feature or region. In one embodiment, the light extraction method includes operatively coupling a light extraction feature to the core region, lightguide region, or to a material operatively coupled to the core region or lightguide region. Operatively coupling the light extraction feature to a region includes, without limitation: adding, removing, or altering material on the surface of the region or within the volume of the region; disposing a material on the surface of the region or within the volume of the region; applying a material on the surface of the region or within the volume of the region; printing or painting a material on the surface of the region or within the volume of the region; removing material from the surface of the region or from the volume of the region; modifying a surface of the region or region within the volume of the region; stamping or embossing a surface of the region or region within the volume of the region; scratching, sanding, ablating, or scribing a surface of the region or region within the volume of the region; forming a light extraction feature on the surface of the region or within the volume of the region; bonding a material on the surface of the region or within the volume of the region; adhering a material to the surface of the cladding region or within the volume of the cladding region; optically coupling

the light extraction feature to the surface of the region or volume of the region; optically coupling or physically coupling the light extraction feature to the region by an intermediate surface, layer or material disposed between the light extraction feature and the region. In another embodiment, a light extraction feature is operatively coupled to a region such that a portion of light propagating within the region incident on the light extraction feature will exit the region or be re-directed to an angle smaller than the critical angle such that it does not remain within the region, core region, coupling lightguide, lightguide, or other region through which it is propagating by total internal reflection.

**[0367]** In one embodiment, the light extraction region or feature is defined by a raised or recessed surface pattern or a volumetric region. Raised and recessed surface patterns include, without limitation, scattering material, raised lenses, scattering surfaces, pits, grooves, surface modulations, microlenses, lenses, diffractive surface features, holographic surface features, photonic bandgap features, wavelength conversion materials, holes, edges of layers (such as regions where the cladding is removed from covering the core layer), pyramid shapes, prism shapes, and other geometrical shapes with flat surfaces, curved surfaces, random surfaces, quasi-random surfaces and combinations thereof. The volumetric scattering regions within the light extraction region may comprise dispersed phase domains, voids, absence of other materials or regions (gaps, holes), air gaps, boundaries between layers and regions, and other refractive index discontinuities within the volume of the material different than co-planar layers with parallel interfacial surfaces. In one embodiment, the light extracting region comprises angled or curved surface or volumetric light extracting features that redirect a first redirection percentage of light into an angular range within 5 degrees of the normal to the light emitting surface of the light emitting device. In another embodiment, the first redirection percentage is greater than one selected from the group: 5, 10, 20, 30, 40, 50, 60, 70, 80, and 90. In one embodiment, the light extraction features are light redirecting features, light extracting regions or light output coupling features.

**[0368]** In one embodiment, the lightguide or lightguide region comprises light extraction features in a plurality of regions. In one embodiment, the lightguide or lightguide region comprises light extraction features on or within at least one selected from the group: one outer surface, two outer surfaces, two outer and opposite surfaces, an outer surface and at least one region disposed between the two outer surfaces, within two different volumetric regions substantially within two different volumetric planes parallel to at least one outer surface or light emitting surface or plane, and within a plurality of volumetric planes. In another embodiment, a light emitting device comprises a light emitting region on the lightguide region of a lightguide comprising more than one region of light extraction features. In another embodiment, one or more light extraction features are disposed on top of another light extraction feature. For example, grooved light extraction features could comprise light scattering hollow microspheres which may increase the amount of light extracted from the lightguide or which could further scatter or redirect the light that is extracted by the grooves. More than one type of light extraction feature may be used on the surface, within the volume of a lightguide or lightguide region, or a combination thereof.

**[0369]** In one embodiment, the lateral dimension of one or more light extraction features in the light emitting region in a



direction parallel to the optical axis of the light within the lightguide at the light extraction feature is less than one selected from the group: 1 mm, 500 microns, 250 microns, 200 microns, 150 microns, 100 microns, 75 microns, 50 microns, 25 microns, 20 microns, 10 microns, 5 microns, 2 microns, 1 microns, 0.5 microns, and 0.3 microns. In another embodiment, the average lateral dimension of the light extraction features in the light emitting region in a direction parallel to the optical axis of the light within the lightguide at the light extraction feature is less than one selected from the group: 1 mm, 500 microns, 250 microns, 200 microns, 150 microns, 100 microns, 75 microns, 50 microns, 25 microns, 20 microns, 10 microns, 5 microns, 2 microns, 1 microns, 0.5 microns, and 0.3 microns.

[0370] In another embodiment, the dimension of one or more light extraction features in the light emitting region in a direction perpendicular to the optical axis of the light within the lightguide at the light extraction feature or the direction perpendicular to the surface of the lightguide between the light extracting features is less than one selected from the group: 1 mm, 500 microns, 250 microns, 200 microns, 150 microns, 100 microns, 75 microns, 50 microns, 25 microns, 20 microns, 10 microns, 5 microns, 2 microns, 1 microns, 0.5 microns, and 0.3 microns. In another embodiment, the average dimension of the light extraction features in the light emitting region in a direction perpendicular to the optical axis of the light within the lightguide at the light extraction feature or the dimension in a direction perpendicular to the surface of the lightguide between the light extracting features is less than one selected from the group: 1 mm, 500 microns, 250 microns, 200 microns, 150 microns, 100 microns, 75 microns, 50 microns, 25 microns, 20 microns, 10 microns, 5 microns, 2 microns, 1 microns, 0.5 microns, and 0.3 microns.

[0371] In one embodiment, the separation distance between a first light extraction feature and the closest neighboring light extraction feature is less than one selected from the group: 200 microns, 150 microns, 100 microns, 75 microns, 50 microns, 25 microns, and 20 microns. In another embodiment, the average separation distance between two neighboring light extraction features in one or more light emitting regions of the film-based lightguide in a direction substantially parallel to the optical axis of the light propagating within the lightguide in the region of the light extracting features is less than one selected from the group: 200 microns, 150 microns, 100 microns, 75 microns, 50 microns, 25 microns, and 20 microns. In one embodiment, a light emitting device comprises a film-based lightguide comprising a first light extraction feature disposed to illuminate a first region or pixel of a display and a second light extraction feature (that is the closest neighboring light extraction feature to the first light extraction feature) disposed to illuminate a second region or pixel of a display adjacent the first region or pixel of a display such that the percentage of light flux from the first light extraction feature received by the second region or pixel and the percentage of light flux from the second light extraction feature received by the first region or pixel is less than one selected from the group: 50%, 40%, 30%, 20%, 10%, and 5%. In one embodiment, a very thin film-based lightguide (such as 25 microns for example) is disposed in close proximity to spatial light modulator and the film-based lightguide comprises substantially one light extraction feature disposed in proximity of each light modulation pixel of the spatial light modulator. In this embodiment, for example, large light extraction features (relative to the thickness of the lightguide)

such as 200 microns in a lateral dimension parallel to the direction of the optical axis of the light within the lightguide in the region of the light extraction features would redirect and extract a very significant portion of the light propagating in the lightguide over a broad range of angles that could make uniform illumination over a large illumination area difficult. In one embodiment, the ratio of the average thickness of the film-based lightguide in a light emitting region to the average lateral dimension of the light extraction features in the light emitting region in a direction parallel to the optical axis of the light propagating within the lightguide at the light extraction features is greater than one selected from the group: 2, 4, 6, 8, 10, 15, 20, 40, 60, 80, and 1000. In one embodiment, the ratio of the average thickness of the film-based lightguide in a light emitting region to the average lateral dimension of the light extraction features in the light emitting region in a direction perpendicular to the optical axis of the light propagating within the lightguide at the light extraction features or the dimension in a direction perpendicular to the surface of the lightguide between the light extracting features is greater than one selected from the group: 2, 4, 6, 8, 10, 15, 20, 40, 60, 80, and 1000. In another embodiment, the ratio of the average thickness of the film-based lightguide in the light emitting region to the average separation distance between two neighboring light extraction features in the direction parallel to the optical axis of the light propagating in the lightguide at the light extraction features is greater than one selected from the group: 2, 4, 6, 8, 10, 15, 20, 40, 60, 80, and 1000. In another embodiment, the ratio of the average separation distance between neighboring light extraction features in the direction parallel to the optical axis of the light propagating in the lightguide at the light extraction features to the average lateral dimension of the light extraction features in a light emitting region in a direction parallel to the optical axis of the light propagating within the lightguide at the light extraction features is greater than one selected from the group: 2, 4, 6, 8, 10, 15, 20, 40, 60, 80, and 1000.

[0372] In one embodiment, the ratio of the average separation distance between light extraction features in the light emitting region in a first direction to the pitch of the pixels or pitch of the sub-pixels in the first direction is within a range selected from the group: 0.1 to 0.5, 0.5 to 1, 1 to 2, 2 to 4, 4 to 10, 10 to 20, 20 to 100, 0.1 to 100, 0.1 to 1, 1 to 100, 1 to 10, and 1 to 20. In another embodiment, the ratio of the average lateral dimension of the light extraction features of the light emitting region in a first direction to the pitch of the pixels or pitch of the sub-pixels in the first direction is within a range selected from the group: 0.1 to 0.5, 0.5 to 1, 1 to 2, 2 to 4, 4 to 10, 10 to 20, 20 to 100, 0.1 to 100, 0.1 to 1, 1 to 100, 1 to 10, and 1 to 20.

[0373] In one embodiment, the light extraction feature is substantially directional and comprises one or more selected from the group: angled surface feature, curved surface feature, rough surface feature, random surface feature, asymmetric surface feature, scribed surface feature, cut surface feature, non-planar surface feature, stamped surface feature, molded surface feature, compression molded surface feature, thermoformed surface feature, milled surface feature, extruded mixture, blended materials, alloy of materials, composite of symmetric or asymmetrically shaped materials, laser ablated surface feature, embossed surface feature, coated surface feature, injection molded surface feature, extruded surface feature, and one of the aforementioned features disposed in the volume of the lightguide. For example,

in one embodiment, the directional light extraction feature is a 100 micron long 45 degree angled facet groove formed by UV cured embossing a coating on the lightguide film that substantially directs a portion of the incident light within the lightguide toward 0 degrees from the surface normal of the lightguide.

**[0374]** The light extraction region, light extraction feature, or light emitting region may be disposed on the upper and/or lower surface of the lightguide. For example, when reflective white scattering dots are printed on one surface of a lightguide, typically most of the light scattering from the dots that escapes the lightguide will escape through the opposite surface. With surface relief light extraction features, the side of the lightguide that most of the light exits due to redirection from the surface relief light extraction features depends upon the shape of the features.

**[0375]** In a further embodiment, the light extraction features are grooves, indentations, curved, or angled features that redirect a portion of light incident in a first direction to a second direction within the same plane through total internal reflection. In another embodiment, the light extraction features redirect a first portion of light incident at a first angle into a second angle greater than the critical angle in a first output plane and increase the angular full width at half maximum intensity in a second output plane orthogonal to the first. In a further embodiment, the light extraction feature is a region comprising a groove, indentation, curved or angled feature and further comprises a substantially symmetric or isotropic light scattering region of material such as dispersed voids, beads, microspheres, substantially spherical domains, or a collection of randomly shaped domains wherein the average scattering profile is substantially symmetric or isotropic. In a further embodiment, the light extraction feature is a region comprising a groove, indentation, curved or angled feature and further comprises a substantially anisotropic or asymmetric light scattering region of material such as dispersed elongated voids, stretched beads, asymmetrically shaped ellipsoidal particles, fibers, or a collection of shaped domains wherein the average scattering profile is substantially asymmetric or anisotropic. In one embodiment, the Bidirectional Scattering Distribution Function (BSDF) of the light extraction feature is controlled to create a predetermined light output profile of the light emitting device or light input profile to a light redirecting element.

**[0376]** In one embodiment, at least one light extraction feature is an array, pattern or arrangement of a wavelength conversion material selected from the group: a fluorophore, phosphor, a fluorescent dye, an inorganic phosphor, photonic bandgap material, a quantum dot material, a fluorescent protein, a fusion protein, a fluorophores attached to protein to specific functional groups, quantum dot fluorophores, small molecule fluorophores, aromatic fluorophores, conjugated fluorophores, and a fluorescent dye scintillators, phosphors such as Cadmium sulfide, rare-earth doped phosphor, and other known wavelength conversion materials.

**[0377]** In one embodiment, the light extraction feature is a specularly, diffusive, or a combination thereof reflective material. For example, the light extraction feature may be a substantially specularly reflecting ink disposed at an angle (such as coated onto a groove) or it may be a substantially diffusely reflective ink such as an ink comprising titanium dioxide particles within a methacrylate-based binder (white paint). For example, in one embodiment, the light emitting device is a reflective display comprising a film-based light-

guide comprising printed or ink-jet applied light scattering dots or shapes on one or more surfaces of the film-based lightguide that extract light from the lightguide toward the reflective display. Alternatively, the light extraction feature may be a partially diffusively reflecting ink such as an ink with small silver particles (micron or sub-micron, spherical or non-spherical, plate-like shaped or non-plate-like shaped, or silver (or aluminum) coated onto flakes) further comprising titanium dioxide particles. In another embodiment, the degree of diffusive reflection is controlled to optimize at least one selected from the group: the angular output of the device, the degree of collimation of the light output, and the percentage of light extracted from the region.

**[0378]** In another embodiment, the light emitting device comprises a lightguide with a light extraction feature optically coupled to the core region of the lightguide. For example, in one embodiment, the light extraction feature is a white reflective film coupled spatially and optically by a pattern of light transmitting adhesive regions disposed on the core region of the lightguide. In this embodiment, the air gaps between the adhesive regions totally internally reflect the light incident at the core region-air interface and the adhesive transmits incident light to a white reflection film that redirects light to angles outside the total internal reflection condition. In another embodiment, the lightguide comprises a spatial array of light transmitting regions that transmit light from the lightguide to light extraction features or a secondary lightguide comprising light extraction features. For example, in one embodiment, the light transmitting regions comprise an adhesive spatially printed on lightguide. In another example, the light transmitting regions comprise a light transmitting film with holes cut from the film to provide air gaps for total internal reflection at the lightguide surface and light transmitting regions to transmit light to light extraction features or another lightguide with light extraction features.

**[0379]** In one embodiment, the light extraction feature is a protrusion from the film-based lightguide material or layer. In another embodiment, the light extraction feature is a recessed region within the film-based lightguide layer. In one embodiment, the light extraction feature is a recessed region that permits light to exit the lightguide at the region. In another embodiment, the light extraction region is a recessed region that reflects a portion of incident light toward the opposite surface of the film-based lightguide such that it escapes the lightguide through the opposite surface. In one embodiment, the film-based lightguide comprises protrusions on a first side and an air-gap region or a cladding region (such as a low refractive index coating or pressure sensitive adhesive) disposed in contact with one or more regions of the protrusions or lightguide.

**[0380]** In another embodiment, the film-based lightguide comprises a first lightguide region comprising first protruding regions and the first lightguide region is optically coupled in one or more coupling regions to a second lightguide region. In a further embodiment, the second lightguide region comprises first recessed regions that are partially conforming but not completely conforming to the shape of the first protruding regions such that an air-gap region remains between the first lightguide region and the second lightguide region. For example, in one embodiment, the first lightguide comprises first protruding regions with a truncated triangular cross-section and the second lightguide region comprises first recessed regions with a recessed triangular cross-section such that when the films are disposed adjacent and aligned, the

truncated region forms an air-gap region that can extract light out of the lightguide formed by the first and second optically coupled lightguide regions by total internal reflection (such as reflecting light toward a reflective spatial light modulator in a frontlight application). In one embodiment, the coupling regions of the first and second lightguide regions are disposed between two or more light extraction features such that light propagating between the light extraction features can propagate between the first and second lightguide regions. For example, in one embodiment, the first lightguide region is a silicone layer with protruding features and the second lightguide region is a silicone layer with recessed regions and the substantially planar regions between the recessed and protruding regions optically couple and bond together due to the natural adhesion between the silicone layers and an adhesive or index-matched adhesive is not required. In another embodiment, the first lightguide region and the second lightguide region are formed in materials that may be optically coupled by applying heat and/or pressure.

**[0381]** In a further embodiment, the recessed regions of a film-based lightguide comprise an adhesive or low-refractive index material within the recessed regions such that the refractive index difference between the film-based lightguide and the adhesive or low refractive index material causes a portion of incident light to reflect or totally internally reflect at the interface within the lightguide such that it functions as a light extraction feature for the lightguide. In this embodiment, the adhesive or low refractive index coating may be disposed in or on one or more of the regions selected from the group: a portion of the volume of the recessed region in the lightguide, one or more surfaces of the recessed features in the lightguide, one or more surfaces of the protruding features in the lightguide, substantially all of the volume of the recessed region of the lightguide, and one or more planar regions of the lightguide.

**[0382]** The pattern or arrangement of light extraction features may vary in size, shape, pitch, location, height, width, depth, shape, orientation, in the x, y, or z directions. Patterns and formulas or equations to assist in the determination of the arrangement to achieve spatial luminance or color uniformity are known in the art of edge-illuminated backlights. In one embodiment, a light emitting device comprises a film-based lightguide comprising light extraction features disposed beneath lenticules wherein the light extraction features are substantially arranged in the form of dashed lines beneath the lenticules such that the light extracted from the line features has a lower angular FWHM intensity after redirection from the lenticular lens array light redirecting element and the length of the dashes varies to assist with the uniformity of light extraction. In another embodiment, the dashed line pattern of the light extraction features varies in the x and y directions (where the z direction is the optical axis of the light emitting device). Similarly, a two-dimensional microlens array film (close-packed or regular array) or an arrangement of microlenses may be used as a light redirecting element and the light extraction features may comprise a regular, irregular, or other arrangement of circles, ellipsoidal shapes, or other pattern or shape that may vary in size, shape, or position in the x direction, y direction, or a combination thereof.

#### Visibility of Light Extraction Features

**[0383]** In one embodiment, at least one light extraction region comprises light extraction features which have a low visibility to the viewer when the region is not illuminated by

light from within the lightguide (such as when the device is in the off-state or the particular lightguide in a multi-lightguide device is not illuminated). In one embodiment, the luminance at a first measurement angle of at least one selected from the group: lightguide region, square centimeter measurement area of the light emitting surface corresponding to light redirected by at least one light extraction feature, light emitting region, light extraction feature, and light extracting surface feature or collection of light extraction features is less than one selected from the group: 0.5 cd/m<sup>2</sup>, 1 cd/m<sup>2</sup>, 5 cd/m<sup>2</sup>, 10 cd/m<sup>2</sup>, 50 cd/m<sup>2</sup>, and 100 cd/m<sup>2</sup> when exposed to diffuse illuminance from an integrating sphere of one selected from the group: 10 lux, 50 lux, 75 lux, 100 lux, 200 lux, 300 lux, 400 lux, 500 lux, 750 lux, and 1000 lux when placed over a black, light absorbing surface. Examples of a light absorbing surface include, without limitation, a black velour cloth material, a black anodized aluminum, a material with a diffuse reflectance (specular component included) less than 5%, Light Absorbing Black-Out Material from Edmund Optics Inc., and a window to a light trap box (a box with light absorbing black velour or other material lining the walls). In one embodiment, the first measurement angle for the luminance is one selected from the group: 0 degrees, 5 degrees, 8 degrees, 10 degrees, 20 degrees, 40 degrees, 0-10 degrees, 0-20 degrees, 0-30 degrees, and 0-40 degrees. In one embodiment, the luminance of the light emitted from a 1 cm<sup>2</sup> measurement area of the light emitting surface corresponding to light redirected by at least one light extracting feature is less than 100 cd/m<sup>2</sup> when exposed to a diffuse illuminance of 200 lux from an integrating sphere when placed over Light Absorbing Black-Out Material from Edmund Optics. In another embodiment, the luminance of the light emitted from a 1 cm<sup>2</sup> measurement area of the light emitting surface corresponding to light redirected by at least one light extracting feature is less than 50 cd/m<sup>2</sup> when exposed to a diffuse illuminance of 200 lux from an integrating sphere when placed over Light Absorbing Black-Out Material from Edmund Optics Inc. In another embodiment, the luminance of the light emitted from a 1 cm<sup>2</sup> measurement area of the light emitting surface corresponding to light redirected by at least one or an average of all light extracting features is less than 25 cd/m<sup>2</sup> when exposed to a diffuse illuminance of 200 lux from an integrating sphere when placed over Light Absorbing Black-Out Material from Edmund Optics Inc. In one embodiment, the thin lightguide film permits smaller features to be used for light extraction features or light extracting surface features to be spaced further apart due to the thinness of the lightguide. In one embodiment, the average largest dimensional size of the light extracting surface features in the plane parallel to the light emitting surface corresponding to a light emitting region of the light emitting device is less than one selected from the group: 3 mm, 2 mm, 1 mm, 0.5 mm, 0.25 mm, 0.1 mm, 0.080, 0.050 mm, 0.040 mm, 0.025 mm, and 0.010 mm.

**[0384]** In one embodiment, the individual light extracting surface features, regions, or pixels, are not discernible as an individual pixel when the device is emitting light in an on state and is not readily discernible when the light emitting device is in the off state when viewed at a distance greater than one selected from the group: 10 centimeters, 20 centimeters, 30 centimeters, 40 centimeters, 50 centimeters, 100 centimeters, and 200 centimeters. In this embodiment, the area may appear to be emitting light, but the individual pixels or sub-pixels cannot be readily discerned from one another. In another embodiment, the intensity or color of a light emitting

region of the light emitting device is controlled by spatial or temporal dithering or halftone printing. In one embodiment, the average size of the light extracting regions in a square centimeter of a light emitting region on the outer surface of the light emitting device is less than 500 microns and the color and/or luminance is varied by increasing or decreasing the number of light extracting regions within a predetermined area. In one embodiment, the luminance of the light extraction region or light extraction features is less than one selected from the group: 1, 5, 10, 20, and 50 Cd/m<sup>2</sup> when viewed normal to the surface from the side with the light extraction features or the side without the light extraction features with the light source not emitting light and under 50 lux ambient illumination.

**[0385]** In one embodiment, the light emitting device is a sign with a light emitting surface comprising at least one selected from the group: a light emitting region, a light extracting region, and a light extraction feature which is not readily discernable by a person with a visual acuity between 0.5 and 1.5 arcminutes at a distance of 20 cm when illuminated with 200 lux of diffuse light in front of Light Absorbing Black-Out Material from Edmund Optics Inc.

**[0386]** In another embodiment, the fill factor of the light extracting features, defined as the percentage of the surface area comprising light extracting features in a light emitting region, surface or layer of the lightguide or film, is one selected from the group: less than 80%, less than 70%, less than 60%, less than 50%, less than 40%, less than 30%, less than 20%, and less than 10%. The fill factor can be measured within a full light emitting square centimeter surface region or area of the lightguide or film (bounded by regions in all directions within the plane of the lightguide which emit light) or it may be the average of the light emitting areas of the lightguides. The fill factor may be measured when the light emitting device is in the on state or in the off state (not emitting light). In one embodiment, in the on state, the light extracting features are visible as discontinuities seen by a person with a visual acuity of one arcminute at a distance of 8 cm when the light emitting region of the film is placed in front of a black light absorbing surface and the film has a luminance of 100 cd/m<sup>2</sup> from light directed through the film by a light input coupler.

**[0387]** In another embodiment, the light emitting device is a sign with a light emitting surface comprising light emitting regions wherein when the device is not emitting light, the angle subtended by two neighboring light extracting features that are visible when the device is on, at a distance of 20 cm is less than one selected from the group: 0.001 degrees, 0.002 degrees, 0.004 degrees, 0.008 degrees, 0.010 degrees, 0.015 degrees, 0.0167 degrees, 0.02 degrees, 0.05 degrees, 0.08 degrees, 0.1 degrees, 0.16 degrees, 0.2 degrees, 0.3 degrees, 0.4 degrees, 0.5 degrees, 0.6 degrees, 0.7 degrees, 0.8 degrees, 1 degree, 2 degrees, and 5 degrees. In another embodiment, the light emitting device is a sign with a light emitting surface comprising light emitting regions wherein when the device is not emitting light, the angle subtended by two neighboring light extracting features (that are which are not easily visible when the device is off when illuminated with 200 lux of diffuse light) at a distance of 20 cm is less than one selected from the group: 0.3 degrees, 0.4 degrees, 0.5 degrees, 0.6 degrees, 0.7 degrees, 0.8 degrees, 1 degree, 2 degrees, and 5 degrees.

**[0388]** In a further embodiment, the light extraction features of the light emitting device comprise light scattering

domains of a material with a different refractive index than the surrounding material. In one embodiment, the light scattering domain has a concentration within the continuous region having light scattering domains (such as an inkjet deposited white ink pixel) less than one selected from the group: 50%, 40%, 30%, 20%, 10%, 5%, 3%, 1%, 0.5%, and 0.1% by volume or weight. The concentration or thickness of the light scattering domains may vary in the x, y, or z directions and the pixel or region may be overprinted to increase the thickness. In another embodiment, the light extracting features have a light absorbing region disposed between the light extracting feature and at least one output surface of the light emitting device. For example, the light extracting features could be titanium dioxide based white inkjet deposited pixels deposited on a lightguide and the light absorbing ink (such as a black dye or ink comprising carbon black particles) is deposited on top of the white ink such that 50% of the light scattered from the white pixel is transmitted through the light absorbing ink. In this example, the ambient light that would have reflected from the white ink if there were no light absorbing ink is reduced by 75% (twice passing through the 50% absorbing ink) and the visibility of the dots is reduced while sufficient light from the lightguide is emitted from the light emitting device in the region near the white pixel. In another embodiment, a low light transmission, light absorbing material absorbing at least one selected from the group: 5%, 10%, 20%, 30%, 40%, 50%, 60%, and 70% of the light emitted from a first light extracting feature is disposed between the light extracting feature and at least one outer surface of the light emitting device.

**[0389]** In one embodiment, the thickness of the lightguide or core layer at the light extraction feature in a first direction selected from the group: perpendicular to the light emitting surface of the lightguide, perpendicular to the optical axis of the light within the lightguide at the light extraction feature, and perpendicular to the direction of light propagating in the lightguide at the light extraction feature divided by the length of one or more light extraction features in a first direction parallel to the direction of light propagating in the lightguide or parallel to the optical axis of the light within the lightguide is greater than one selected from the group: 1, 2, 5, 10, 15, 20, and 50.

**[0390]** In one embodiment, the lightguide comprises a coating or layer disposed in optical contact with the lightguide comprising the light extraction features. In one embodiment, for example, a UV curable methacrylate-based coating is coated onto a plasma surface treated silicone-based lightguide and is cured in when in contact with an embossing drum such that the light extraction features are formed on the coating on the silicone-based lightguide. Various UV curable coatings are suitable for use in this embodiment, and the refractive index, light transmission properties, adhesion properties, and scattering properties are known in the optical film industry.

**[0391]** In a further embodiment, the light extraction region is designed to be substantially visible from only one side. In one embodiment, the light extraction features are disposed on the non-viewing side of the light emitting device between a low light transmission region and the lightguide. For example, in one embodiment, the light extraction regions are printed white ink regions with light absorbing black ink overprinted on the white ink regions. In this embodiment, the white ink scatters light out of the lightguide on the opposite side and a significant portion of the light transmitted through

the white ink is absorbed by the black ink. In another embodiment, the light extraction regions comprise surface relief patterns on one side of a lightguide and a low light transmission film, such as a black PET film, is substantially cut in the shape of the extraction regions and disposed adjacent the light extraction regions. In another embodiment, the low light transmission region does not conform to the shape of the light extraction regions. For example, in one embodiment, a light emitting device comprises a light source, lightguide, light input coupler, and a square black PET film is laminated to cladding layer which is laminated to a circular shaped logo pattern of white ink regions and the lightguide. In this embodiment, the white ink pattern is visible from the side opposite the side of the lightguide comprising the black PET film and is not substantially visible from the side comprising the black PET film when the light source is turned on. In a further embodiment, the luminance of the light emitting display is less than one selected from the group: 1, 5, 10, 20, and 50 Cd/m<sup>2</sup> when viewed normal to the surface from the side of the lightguide comprising the low light transmission film. In a further embodiment, the luminance of the light emitting display is greater than one selected from the group: 50, 75, 100, 200, and 300 Cd/m<sup>2</sup> when viewed normal to the surface from the side of the lightguide comprising the low light transmission film. In another embodiment, the luminance of the low light transmission region is less than one selected from the group: 1, 5, 10, 20, and 50 Cd/m<sup>2</sup> when viewed normal to the surface from the side of the lightguide comprising the low light transmission film with the light source not emitting light and under 50 lux ambient illumination.

**[0392]** In another embodiment, the light extraction region comprising the light extraction features is designed to be visible or legible from two opposite directions. For example, in one embodiment, an image or graphic based light extraction region is substantially symmetric such that it is visually perceptible and correct when viewed from either side of a window to which it is optically coupled or adjacent. In another embodiment, the light emitting device comprises two lightguides with a low light transmission region disposed in a region between the lightguides. In the previous embodiment, for example, a black polyester film layer may be disposed between the lightguides (and between the cladding layers of the two lightguides) in the regions behind the light extraction region in the form of readable text such there is a black or opaque background and the light emitting text is visible and easily legible from either side. In one embodiment, the low light transmission region has an average transmittance across the wavelengths of light emitted by the light emitting device less than one selected from the group: 70%, 60%, 50%, 40%, 30%, 20%, 10% and 5% measured by collimating light from the light sources used in the light emitting device and measuring the total transmittance in the equipment setup prescribed in the ASTM D1003 standard.

**[0393]** In one embodiment, the light extraction feature is a protruding feature on a film or component that is applied to the core or cladding region of a lightguide. In one embodiment, the light extraction features are protrusions from a film that are pressed into a thin cladding such that the separation between the core and the cladding is reduced such that the evanescent penetration depth of light in the cladding permits frustration of a first portion of the light into the material of the light extraction feature (or scattering therefrom in the case of a scattering light extraction feature such as a TiO<sub>2</sub> particle). In one embodiment, a lightguide comprises a high refractive

index core layer and a compressible, thin low refractive index material such that when a force greater than one selected from the group: 1, 2, 5, 10, 20, 40, and 50 pounds per square inch, a first portion of light is frustrated from the lightguide. For example, in one embodiment, a light extraction film comprising a pattern of light scattering ink comprising TiO<sub>2</sub> particles is physically coupled to a compressible fluoropolymer cladding with a first thickness on a film-based lightguide comprising a polycarbonate core layer. A glass plate compresses the light extraction film onto the cladding layer such that the thickness of the cladding layer reduces to a second thickness and a first portion of the light from the lightguide is scattered from the lightguide due to the evanescent coupling of the light through the cladding to the light scattering ink.

**[0394]** In one embodiment, a light extraction feature film comprises protruding light extraction features that adhere to the core region and function as standoffs and adhesion locations to hold the light extraction feature film in place and to protect the light emitting region. In this embodiment, an air cladding is disposed between the light extraction features along the surface of the core layer. For example, in one embodiment, a backlight comprises a light extraction feature film comprising 100 micron protrusions comprising light scattering ink and a pressure sensitive adhesive disposed in a pattern on the surface of a PolyEthylene Terephthalate (PET) film. The light extraction feature film is laminated to the core layer and bonded in the light extraction feature adhesive protrusions. In this embodiment, the light extraction feature film protects the core layer from scratches or dust/dirt accumulation that can occur during assembly, shipping or end-use.

#### Multiple Lightguides

**[0395]** In one embodiment, a light emitting device comprises more than one lightguide to provide at least one selected from the group: color sequential display, localized dimming backlight, red, green, and blue lightguides, animation effects, multiple messages of different colors, NVIS and daylight mode backlight (one lightguide for NVIS, one lightguide for daylight for example), tiled lightguides or backlights, and large area light emitting devices comprised of smaller light emitting devices. In another embodiment, a light emitting device comprises a plurality of lightguides optically coupled to each other. In another embodiment, at least one lightguide or a component thereof comprises a region with anti-blocking features such that the lightguides do not substantially couple light directly into each other due to touching. In some embodiments, the need for a cladding can be reduced or alleviated by using anti-blocking materials to maintain separation (and air gap) over regions of the lightguide surfaces. In another embodiment, the light emitting device comprises a first and second light emitting region disposed to receive light from a first and second group of coupling lightguides, respectively, wherein the bends or folds in the first group of coupling lightguides are at angle selected from the group: 10 to 30 degrees, 25 degrees to 65 degrees, 70 to 110 degrees, 115 degrees to 155 degrees, 160 degrees to 180 degrees, and 5 to 180 degrees from the bends or folds in the second group of coupling lightguides.

**[0396]** In another embodiment, a film-based lightguide has two separate light emitting regions with a first and second group of coupling lightguides disposed to couple light into the first light emitting region and second light emitting region, respectively, wherein the first and second groups of

coupling lightguides fold or bend to create a single light input coupler disposed to couple light from a single source or source package into both light emitting regions. In a further embodiment, the two separate light emitting regions are separated by a separation distance (SD) greater than one selected from the group: 0.1 millimeters, 0.5 millimeters, 1 millimeter, 5 millimeters, 10 millimeters, 1 centimeter, 5 centimeters, 10 centimeters, 50 centimeters, 1 meter, 5 meters, 10 meters, the width of a coupling lightguide, the width of a fold region, a dimension of the first light emitting region surface area, and a dimension of the second light emitting region surface area.

[0397] In another embodiment, two film-based lightguides are disposed above one another in at least one selected from the group: the lightguide region, the light emitting region, the light input coupler, the light input surface, and the light input edge such that light from a light source, a package of light sources, an array of light sources, or an arrangement of light sources is directed into more than one film-based lightguide.

[0398] In a further embodiment, a plurality of lightguides are disposed substantially parallel to each other proximate a first light emitting region and the lightguides emit light of a first and second color. The colors may be the same or different and provide additive color, additive luminance, white light emitting lightguides, red, green, and blue light emitting lightguides or other colors or combinations of lightguides emitting light near the same, adjacent or other corresponding light emitting regions or light extraction features. In another embodiment, a light emitting device comprises a first lightguide and a second lightguide wherein a region of the second lightguide is disposed beneath first lightguide in a direction parallel to the optical axis of the light emitting device or parallel to the normal to the light emitting surface of the device and at least one coupling lightguide from the first lightguide is interleaved between at least two coupling lightguides from the second lightguide. In a further embodiment, the coupling lightguides from the first lightguide film are interleaved with the coupling lightguides of the second lightguide region. For example, two film-based lightguides with coupling lightguide strips oriented parallel to each other along one edge may be folded together to form a single light input surface wherein the light input edges forming the light input surface alternate between the lightguides. Similarly, three or more lightguides with light input edges 1, 2, and 3 may be collected through folding into a light input surface with alternating input edges in a 1-2-3-1-2-3-123 . . . pattern along a light input surface.

[0399] In another embodiment, a light emitting device comprises a first lightguide and a second lightguide wherein a region of the second lightguide is disposed beneath first lightguide in a direction parallel to the optical axis of the light emitting device or parallel to the normal to the light emitting surface of the device and a first set of the coupling lightguides disposed to couple light into the first lightguide form a first light input surface and are disposed adjacent a second set of coupling lightguides disposed to couple light into the second lightguide. The first and second set of lightguides may be in the same light input coupler or different light input coupler disposed adjacent each other and they may be disposed to receive light from the same light source, a collection of light sources, different light sources, or different collections of light sources.

#### Tiled Lightguides

[0400] In one embodiment, the light emitting device comprises a linear array of lightguides in a first direction. In

another embodiment, a light emitting device comprises a linear array of lightguides in a first direction and a linear array of lightguides in a second direction orthogonal to the first direction. In a further embodiment, a light emitting device comprises a rectangular matrix of lightguides. In light emitting devices comprising tiled lightguides, the light input couplers, coupling lightguides, or light sources may be disposed along the periphery of the tiled lightguides, between the lateral edges of the lightguides along the side of the lightguide, folded back toward the central region between the lateral edges, or folded underneath or above the lightguide to permit a low separation distance between the lightguides.

#### Multiple Lightguides to Reduce Bend Loss

[0401] In another embodiment, a light emitting device comprises a first lightguide and a second lightguide wherein a first overlapping region of the second lightguide is disposed beneath first lightguide in a direction parallel to the optical axis of the light emitting device or parallel to the normal to the light emitting surface of the device and the first and second set of coupling lightguides disposed to couple light into the first and second lightguides, respectively, have a total bend loss less than that of a set of coupling lightguides optically coupled to a lightguide covering the same input dimension of each first and second coupling lightguide with the same radius of curvature as the average of the first and second set of coupling lightguides and a core thickness equal to the total core thicknesses of the first and second lightguides in the first overlapping region.

[0402] In a further embodiment, multiple lightguides are stacked such that light output from one lightguide passes through at least one region of another lightguide and the radii of curvature for a fixed bend loss (per coupling lightguide or total loss) is less than that of a single lightguide with the same light emitting area, same radius of curvature, and the thickness of the combined lightguides. For example, for a bend loss of 70%, a first lightguide of a first thickness may be limited to a first radius of curvature. By using a second and third lightguide with each at half the thickness of the first lightguide, the radius of curvature of each of the second and third lightguides can be less to maintain only 70% bend loss due to the reduced thickness of each lightguide. In one embodiment, multiple, thin lightguides, each with a radius of curvature less than a thicker lightguide with the same bend loss, reduce the volume and form factor of the light emitting device. The light input surfaces of the coupling lightguides from the different lightguides may be disposed adjacent each other in a first direction, on different sides of the light emitting device, within the same light input coupler, within different light input couplers, underneath each other, alongside each other, or disposed to receive light from the same or different light sources.

#### Multiple Lightguides Connected by Coupling Lightguides

[0403] In one embodiment, two or more lightguides are optically coupled together by a plurality of coupling lightguides. In one embodiment a film comprises a first continuous lightguide region and strip-like sections cut in a region disposed between the first continuous lightguide region and a second continuous lightguide region. In one embodiment, the strips are cut and the first and second continuous lightguide regions are translated relative to each other such that the strips (coupling lightguides in this embodiment) are folding and

overlapping. The resulting first and second lightguide regions may be separate regions such as a keypad illuminator and an LCD backlight for a cellphone which are connected by the coupling lightguides. The first and second lightguide regions may also both intersect a light normal to the film surface in one or more regions such that the first and second lightguide regions at least partially overlap. The first and second lightguide regions may have at least one light input coupler. By coupling the first and second lightguide regions together through the use of coupling lightguides, the light from an input coupler coupled into the first lightguide region is not lost, coupled out of, or absorbed when it reaches the end of the first lightguide region and may further propagate on to the second lightguide region. This can allow more light extraction regions for a specific region since the lightguides overlap in a region. In one embodiment, at least one region disposed to receive light between the first and second lightguide regions may comprise a light absorbing filter such that the light reaching the second lightguide region comprises a different wavelength spectral profile and a second color can be extracted from the second lightguide region different to the first color extracted from the first lightguide extracting region. More than two lightguide regions illuminated by a first input coupler with one, two, or more than two light emitting colors may be used and separate lightguides (or lightguide regions) with separate light input couplers may be disposed behind, between, or above one or more of the lightguide regions illuminated by the first input coupler. For example, a first light input coupler directs white light from an LED into the first lightguide region wherein the light extracting regions extract light creating a first white image, and the light which is not extracted passes into coupling lightguides on the opposite end which have a striped region optically coupled to the lightguide (such as a red colored ink stripe) which substantially absorbs the non-red portions of the spectrum. This light further propagates into the second lightguide region where a portion of the light is extracted out of the lightguide as red light in a red image. Similarly, other colors including subtractive colors may be used to create multiple colors of light emitting from multiple lightguide regions and the light extracting region may overlap to create additive color mixing. Two or more lightguides or lightguide regions may overlap wherein the optical axes of the light propagating within the lightguide are at approximately 90 degrees to each other.

#### Multiple Lightguides to Provide Pixelated Color

**[0404]** In one embodiment, a light emitting device comprises a first lightguide and second lightguide disposed to receive light from a first and second light source, respectively, through two different optical paths wherein the first and second light source emit light of different colors and the light emitting regions of the first and second lightguides comprise pixelated regions spatially separated in the plane comprising the light output plane of the light emitting device at the pixelated regions (for example, separated in the thickness direction of the film-based lightguides). In one embodiment, the colors of the first and second pixelated light emitting regions are perceived by a viewer with a visual acuity of 1 arcminute without magnification at a distance of two times the diagonal (or diameter) of the light emitting region to be the additive color of the combination of sub-pixels. For example, in one embodiment, the color in different spatial regions of the display is spatially controlled to achieve dif-

ferent colors in different regions, similar to liquid crystal displays using red, green, and blue pixels and LED signs using red green and blue LEDs grouped together. For example, in one embodiment, a light emitting device comprises a red light emitting lightguide optically coupled to a green light emitting lightguide that is optically coupled to a blue lightguide. Various regions of the lightguides and the light output of this embodiment are described hereafter. In a first light emitting region of the light emitting device, the blue and green lightguides have no light extraction features and the red lightguide has light extraction features such that the first light emitting region emits red in one or more directions (for example, emitting red light toward a spatial light modulator or out of the light emitting device). In a second light emitting region of the light emitting device, the red and green lightguides have no light extraction features and the blue lightguide has light extraction features such that the second light emitting region emits blue light in one or more directions. In a third light emitting region of the light emitting device, the blue and red lightguides have light extraction features and the green lightguide does not have any light extraction features such that the third light emitting region emits purple light in one or more directions. In a fourth light emitting region of the light emitting device, the blue, green, and red lightguides have light extraction features such that the fourth light emitting region emits white light in one or more directions. Thus, by using multiple lightguides to create light emitting regions emitting light in different colors, the light emitting device, display, or sign, for example, can be multi-colored with different regions emitting different colors simultaneously or sequentially. In another embodiment, the light emitting regions comprise light extraction features of appropriate size and density on a plurality of lightguides such that a full-color graphic, image, indicia, logo or photograph, for example, is reproduced.

**[0405]** The percentage of extracted light from a first lightguide light extraction feature reaching a neighboring second light extraction feature on a second lightguide is affected by, for example, the distance within the first lightguide between the light extraction feature and the cladding surface in the direction of the optical path between the first and second light extraction features, the total separation between the light extraction features in the optical path of the light between the first and second light extraction features, the distance in the cladding of the optical path between the first and second light extraction features, the refractive index of the first lightguide, the refractive index of the cladding, the distance in the optical path from the cladding surface to the second light extraction feature, the refractive index of the second lightguide, and the directional reflectance (or transmission) properties of the first lightguide light extraction feature. In one embodiment, the percentage of light exiting a first lightguide from a first light pixel region that intersects a second pixel region in a second lightguide is less than one selected from the group: 30%, 20%, 10%, 5%, and 1%. The amount of light from a first lightguide reaching a neighboring pixel on a second lightguide is affected by the thickness of the lightguide, the total separation in the thickness direction, the refractive index of the first lightguide, the refractive index of the cladding, and the directional reflectance (or transmission) properties of the first lightguide light extraction feature. Light near the critical angle within the lightguide will propagate larger distances in the thickness direction in the cladding region than angles larger than the critical angle. In one embodiment, the cladding

region thickness is less than one selected from the group: 50, 25, 10, 5, 3, 2, and 1 micron(s). In another embodiment, the thickness of the core region is less than one selected from the group: 50, 25, 10, 5, 3, 2, and 1 micron(s). The lateral separation,  $x_1$ , of the light from the edge of a first light extraction feature on the surface of a first lightguide of refractive index  $n_1$  and thickness  $t_1$  propagating within the lightguide at the critical angle between the first lightguide and a cladding region with a refractive index,  $n_2$ , to the point where it reaches the interface between the first lightguide and the cladding is:

$$x_1 = \frac{t_1 \left( \frac{n_2}{n_1} \right)}{\sqrt{1 - \left( \frac{n_2}{n_1} \right)^2}}$$

**[0406]** In one embodiment, the lateral separation between the first pixel in a first lightguide and a second pixel in a second lightguide is greater than one selected from the group: 50%, 60%, 70% and 80% of  $x_1$  and less than one selected from the group: 150%, 200%, 250%, 300%, 400%, and 500% of  $x_1$ . For example, in one embodiment, the light extraction feature on a first lightguide is a first printed white ink pattern on the back side of a film-based lightguide with a refractive index of 1.49 that is 50 microns thick. A second printed white ink pattern on a second lightguide separated by and optically coupled to the first lightguide by a 25 micron cladding region with a refractive index of 1.33 is laterally positioned (in the direction parallel to the film surface) from the first printed white region by a distance of 100 microns. In this example,  $x_1$  is 99 microns and the separation distance is 101% of  $x_1$ .

**[0407]** In another embodiment, the light extraction feature is a directional light extraction feature that asymmetrically redirects incident light and the lateral separation between the first pixel in a first lightguide and a second pixel in a second lightguide is greater than one selected from the group: 20%, 30%, 40% and 50% of  $x_1$  and less than one selected from the group: 100%, 150%, 200%, and 300% of  $x_1$ .

**[0408]** In another embodiment, the dimension of the light extraction feature in the direction of the optical axis within the lightguide for one pixel is less than one selected from the group: 200%, 150%, 100%, 75%, and 50% of the average thickness of the lightguide in that region.

**[0409]** In a further embodiment, a first pixel on a first lightguide is separated laterally from a second pixel on a second lightguide by a first separation distance such that the angular color variation within the angles defined by a luminance of at least 70% of the luminance at 0 degrees,  $\Delta u'v'$ , of the pixel measured on the 1976  $u', v'$  Uniform Chromaticity Scale as described in VESA Flat Panel Display Measurements Standard version 2.0, Jun. 1, 2001 (Appendix 201, page 249) is less than one selected from the group: 0.2, 0.1, 0.05, 0.01, and 0.004 when measured using a spectrometer based spot color meter.

**[0410]** In one embodiment, the light emitting device is a reflective display comprising a light emitting frontlight comprising a first lightguide comprising a first set of light extraction features and a second lightguide comprising a second set of light extraction features wherein the percentage of the area of overlap between the areas of the first set of light extraction features in the plane parallel to the first lightguide and the areas of the second set of light extraction features in the plane parallel to the second lightguide in the direction substantially

normal to the light emitting surface of the reflective display is less than one selected from the group: 80%, 60%, 40%, 20%, 10%, 5%, and 2%. Similarly, in another embodiment, the area of overlap between three sets of light extraction features in three different lightguides is less than one selected from the group: 80%, 60%, 40%, 20%, 10%, 5%, and 2% for each combination of lightguides. For example, in one embodiment, a reflective display comprises a first, second, and third lightguide emitting red, green, and blue light, respectively, from LEDs with the first lightguide on the viewing side of the second lightguide and separated by a cladding layer from the second lightguide which is separated by a cladding layer from the third lightguide that is disposed proximate the reflective spatial light modulator. In this embodiment, the area of overlap between the light extraction features in the lightguide emitting red light and the lightguide emitting green light when viewed normal to the display is less than 10%. Also, in this embodiment, the area of overlap between the light extraction features in the lightguide emitting red light and the lightguide emitting blue light when viewed normal to the display is less than 10%. In this embodiment, the red light directed toward the reflective spatial light modulator from the lightguide emitting red light is less likely to reflect from light extraction features in the green or blue lightguides than a lightguide configuration with a larger percentage of light extraction feature area overlap.

#### Lightguide Folding Around Components

**[0411]** In one embodiment, at least one selected from the group: lightguide, lightguide region, light mixing region, plurality of lightguides, coupling lightguides, and light input coupler bends or folds such that the component other components of the light emitting device are hidden from view, located behind another component or the light emitting region, or are partially or fully enclosed. These components around which they may bend or fold include components of the light emitting device such as light source, electronics, driver, circuit board, thermal transfer element, spatial light modulator, display, housing, holder, or other components are disposed behind the folded or bent lightguide or other region or component. In one embodiment, a backlight for a reflective display or a backlight for a transmissive display comprises a lightguide, coupling lightguides and a light source wherein one or more regions of the lightguide are folded and the light source is disposed substantially behind the display. In one embodiment, the light mixing region comprises a fold and the light source and/or coupling lightguides are substantially disposed on the side of the film-based lightguide opposite the light emitting region. In one embodiment, the fold angle is between 150 and 210 degrees in one plane. In another embodiment, the fold angle is substantially 180 degrees in one plane. In one embodiment, the fold is substantially 150 and 210 degrees in a plane parallel to the optical axis of the light propagating in the film-based lightguide. In one embodiment, more than one input coupler or component is folded behind or around the lightguide, light mixing region or light emitting region. In this embodiment, for example, two light input couplers from opposite sides of the light emitting region of the same film may be disposed adjacent each other or utilize a common light source and be folded behind the spatial light modulator of a display. In another embodiment, tiled light emitting devices comprise light input couplers folded behind and adjacent or physically coupled to each other using the same or different light sources. In one embodiment, the



light source or light emitting area of the light source is disposed within the volume bounded by the edge of the light emitting region and the normal to the light emitting region on the side of the lightguide opposite the viewing side. In another embodiment, at least one of the light source, light input coupler, coupling lightguides, or region of the light mixing region is disposed behind the light emitting region (on the side of the lightguide opposite the viewing side) or within the volume bounded by the edge of the light emitting region and the normal to the light emitting region on the side of the lightguide opposite the viewing side.

#### Curled Edge of Lightguide to Recycle Light

**[0412]** In one embodiment, a lightguide edge region is curled back upon itself and optically coupled to a region of the lightguide such that light propagating toward the edge will follow the curl and propagate back into the lightguide. In one embodiment, the cladding area is removed from the lightguide from both surfaces which are to be optically coupled or bonded together. More than one edge may be curled or bent back upon itself to recycle light back into the lightguide.

#### Registration Holes and Cavities

**[0413]** one embodiment, at least one selected from the group: lightguide, lightguide region, light mixing region, light input coupler, housing, holding device and plurality of coupling lightguides comprises at least one opening or aperture suitable for registration with another component of the device that contains at least one pin or object which may pass through the at least one opening or aperture. In another embodiment, one or more of the light turning optical element, coupling lightguides, light redirecting optical element, light coupling optical element, relative position maintaining optical element, circuit board, flexible connector, film-based touchscreen, film-based lightguide, and display film substrate comprises a registration opening, aperture, hole, or cavity.

#### Alignment Guide

**[0414]** In another embodiment, the light turning optical element has an alignment guide physically coupled to the light turning optical element such that the guide directs the coupling lightguide input surfaces to align in at least one of the following directions: a direction perpendicular to the film surface of the coupling lightguides, a direction parallel to the coupling lightguide film surfaces, a direction parallel to the optical axis of the light source, and a direction orthogonal to the optical axis of the light source. In one embodiment, the alignment guide is physically coupled to one or more of the following: the light turning optical element, coupling lightguides, light redirecting optical element, light coupling optical element, relative position maintaining optical element, circuit board, light source, light source housing, optical element holder or housing, input coupler housing, alignment mechanism, heat sink for the light source, flexible connector, film-based touchscreen, film-based lightguide, and display film substrate. In one embodiment, the alignment guide comprises an alignment arm such as a metal or plastic bar or rod with a flexural modulus of one of the following: 2 times, 3 times, 4 times, and 5 times that of the stacked array of coupling lightguides that it is disposed to guide a stack of coupling lightguides (or an optical element) in a predetermined direction. The alignment guide may have one or more curved regions to assist in the guiding function without scratching or

damaging the coupling lightguide through sharp edges. In another embodiment, the alignment guide is a cantilever spring that can apply a force against one or more coupling lightguides to maintain the position of the coupling lightguide temporarily or permanently. In another embodiment, the alignment guide maintains the relative position of the coupling lightguide near the light input surface while an additional, permanent relative position method is employed (such as mechanically clamping, adhering using adhesives, epoxy or optical adhesive, forming a housing around the coupling lightguides, or inserting the coupling into a housing) which substantially maintains the relative position of the coupling lightguides to the light source or light input coupler. In another embodiment, a cladding layer (such as a low refractive index adhesive) is disposed on one or more of the following: the top surface, bottom surface, lateral edges, and light input surface of an array of coupling lightguides such that when the alignment guide is thermally coupled to the array of coupling lightguides, less light is absorbed by the alignment guide.

#### Alignment Cavity within the Alignment Guide

**[0415]** In one embodiment, the alignment guide comprises a cavity within a mechanical coupler in which a stacked array of coupling lightguides may be disposed to align their light input edges to receive light from a light source. In one embodiment, the alignment guide comprises a thermal transfer element with an extended arm or rod to align the coupling lightguides in one dimension, apply force vertical force to the coupling lightguides to assist holding them at the correct lateral position and a cavity into which the input surface of the coupling lightguides may be placed such that they are aligned to receive light from the light source. In another embodiment, the alignment guide comprises a thermal transfer element with an extended arm (functioning as a cantilever spring to apply force) and a cavity with a cross sectional vertical and width dimension at least as large as the vertical and width dimensions, respectively, of the cross-section of the stacked array of coupling lightguides near their light input surfaces.

#### Thermally Conductive Alignment Guide

**[0416]** In another embodiment, the alignment guide is thermally and physically coupled to the heat sink for the light source. For example, the alignment guide may comprise an aluminum heat sink disposed around and thermally coupled to the light source with an alignment cavity opening disposed to receive the coupling lightguide such that they are held within the cavity. In this embodiment, the aluminum heat sink serves an alignment function and also reduces the heat load from the light source. In another embodiment, the alignment guide comprises an alignment cavity in a thermally conducting material (such as a metal, aluminum, copper, thermally conductive polymer, or a compound comprising thermally conductive materials) thermally coupled to the coupling lightguides such that the alignment guide removes heat from the coupling lightguides received from the light source. When using high power LEDs, for example, the heat from the light source could potentially damage or cause problems with the coupling lightguides (softening, thermal or optical degradation, etc.). By removing the heat from the coupling lightguides, this effect is reduced or eliminated. In one embodiment, the alignment guide is thermally coupled to one or more coupling lightguides by physical contact or through the use of

an intermediate thermally conductive material such as a thermally conductive adhesive or grease.

#### Other Components

**[0417]** In one embodiment, the light emitting device comprises at least one selected from the group: power supply, batteries (which may be aligned for a low profile or low volume device), thermal transfer element (such as a heat sink, heat pipe, or stamped sheet metal heat sink), frame, housing, heat sink extruded and aligned such that it extends parallel to at least one side of the lightguide, multiple folding or holding modules along a thermal transfer element or heat sink, thermal transfer element exposed to thermally couple heat to a surface external to the light emitting device, and solar cell capable of providing power, communication electronics (such as needed to control light sources, color output, input information, remote communication, Wi-Fi control, Bluetooth control, wireless internet control, etc.), a magnet for temporarily affixing the light emitting device to a ferrous or suitable metallic surface, motion sensor, proximity sensor, forward and backwards oriented motion sensors, optical feedback sensor (including photodiodes or LEDs employed in reverse as detectors), controlling mechanisms such as switches, dials, keypads (for functions such as on/off, brightness, color, color temp, presets (for color, brightness, color temp, etc.), wireless control), externally triggered switches (door closing switch for example), synchronized switches, and light blocking elements to block external light from reaching the lightguide or lightguide region or to block light emitted from a region of the light emitting device from being seen by a viewer.

**[0418]** In one embodiment, a light emitting device comprises a first set of light sources comprising a first and second light source disposed to couple light into a first and second light input coupler, respectively, and further comprising a second set of light sources comprising a third and fourth light source disposed to couple light into a first and second light input coupler, respectively, wherein the first set of light sources are thermally coupled to each other and the second set of light sources are thermally coupled to each other by means of one selected from the group metal core printed circuit board, aluminum component, copper component, metal alloy component, thermal transfer element, or other thermally conducting element. In a further embodiment, the first and second set of light sources are substantially thermally isolated by separating the light sources (or substrates for the light sources such as a PCB) in the region proximate the light sources by an air gap or substantially thermally insulating material such as polymer substantially free of metallic, ceramic, or thermally conducting components. In another embodiment, the first and third light sources are disposed closer to each other than the first and second light sources and more heat from the first light source reaches the second light source than reaches the third light source when only the first light source is emitting light. More than two light sources disposed to couple light into more than two coupling lightguides may be thermally coupled together by a thermal transfer element and may be separated from a second set of more than two light sources by an air gap or thermally insulating material.

**[0419]** In another embodiment, a light emitting device comprises a film lightguide that emits light and also detects light changes within the lightguide and provides touch screen functionality. In one embodiment, a film lightguide comprises coupling lightguides disposed to receive light from a

light source and direct the light into a lightguide to provide a backlight or frontlight and at least one coupling lightguide disposed to detect changes in light intensity (such as lower light levels due to light being frustrated and absorbed by coupling light into a finger in touched location). More than one light intensity detecting lightguide may be used. Other configurations for optical lightguide based touch screens are known in the art and may be used in conjunction with embodiments.

**[0420]** In another embodiment a touchscreen comprises at least two film lightguides. In another embodiment, a touchscreen device comprises a light input coupler used in reverse to couple light from a film lightguide into a detector. In another embodiment, the light emitting device or touch screen is sensitive to pressure in that when a first film or first lightguide is pressed or pressure is applied, the first film is moved into sufficient optical contact with a second film or second lightguide wherein at least one of light from the first lightguide or first lightguide is coupled into is coupled into the second film or second lightguide, light from the second film or second lightguide is coupled into the first film or first lightguide, or light couples from each lightguide or film into the other.

#### Thermal Transfer Element Coupled to Coupling Lightguide

**[0421]** In another embodiment, a thermal transfer element is thermally coupled to a cladding region, lightguide region, lightguide, coupling lightguide, stack or arrangement of coupling lightguides, combination of folded regions in a coupling lightguide, input coupler, window or housing component of the light input coupler, or housing. In another embodiment, the thermal transfer element is thermally coupled to the coupling lightguides or folded regions of a coupling lightguide to draw heat away from the polymer based lightguide film in that region such that a high power LED or other light source emitting heat toward the lightguides may be used with reduced thermal damage to the polymer. In another embodiment, a thermal transfer element is physically and thermally coupled to the cladding region of the light input couplers or folded regions of a coupling lightguide. The thermal transfer element may also serve to absorb light in one more cladding regions by using a thermal transfer element that is black or absorbs a significant amount of light (such as having a diffuse reflectance spectral component included less than 50%). In another embodiment, the top surface of the upper coupling lightguide and the bottom surface of the bottom coupling lightguide comprise cladding regions in the regions of the coupling lightguides or folded regions of the coupling lightguide near the light input edges. By removing (or not applying or disposing) the cladding between the coupling lightguides or folded regions, more light can be coupled into the coupling lightguides or folded regions from the light source. Outer cladding layers or regions may be disposed on the outer surfaces to prevent light absorption from contact with other elements or the housing, or it may be employed on the top or bottom surface, for example, to physically and thermally couple the cladding region to a thermal transfer element to couple the heat out without absorbing light from the core region (and possibly absorbing light within the core region).

**[0422]** In one embodiment, a light emitting device comprises a thermal transfer element disposed to receive heat from at least one light source wherein the thermal transfer element has at least one selected from the group: total thickness, average total thickness, and average thickness, all in the

direction perpendicular to the light emitting device light emitting surface less than one selected from the group: 10 millimeters, 5 millimeters, 4 millimeters, 3 millimeters, 2 millimeters, 1 millimeter, and 0.5 millimeters. In one embodiment, the thermal transfer element comprises a sheet or plate of metal disposed on the opposite side of the lightguide as the light emitting surface of the light emitting device. In a further embodiment, a low thermal conductivity component is disposed between the thermal transfer element and the lightguide. In another embodiment, the low thermal conductivity component has a thermal conductivity,  $k$ , less than one selected from the group: 0.6, 0.5, 0.4, 0.3, 0.2, 0.1 and 0.05  $W \cdot m^{-1} \cdot K^{-1}$  at a temperature of 296 degrees Kelvin. In a further embodiment, the low thermal conductivity component is a white reflective polyester based film (or PTFE based film). In a further embodiment, a light emitting device comprises a low thermal conductivity component physically coupled to the thermal transfer element and the light emitting device further comprises at least one selected from the group: a low refractive index material, a cladding region, and a region with an air gap disposed between the low thermal conductivity component and the lightguide.

**[0423]** In a further embodiment, the thermal transfer element is an elongated component with a dimension in first direction at least twice as long as the dimension in either mutually orthogonal direction orthogonal to the first direction wherein a portion of the thermal transfer element is disposed within the bend region of at least one light input coupler. In another embodiment, a light emitting device comprises a light input coupler wherein a portion of the smallest rectangular cuboid comprising all of the coupling lightguides within the light input coupler comprises a thermal transfer element. In another embodiment, a light emitting device comprises a light input coupler wherein a portion of the smallest rectangular cuboid comprising all of the coupling lightguides within the light input coupler comprises an elongated thermal transfer element selected from the group: pipe from a heat pipe, elongated heat sink, metal thermal transfer element with fins, rod inside the thermal transfer element, and metal frame.

**[0424]** In another embodiment, the thermal transfer element comprises at least one metal frame component or elongated metal component that provides at least one selected from the group: increased rigidity, frame support for suspension or mounting, protection from accidental contact, and frame support for a flat or pre-defined non-planar surface. In a further embodiment, the thermal transfer element comprises at least two regions or surfaces oriented at an angle with respect to each other or an opening through the volume that form at least a portion of a channel through which air may flow through. In one embodiment, the light emitting device comprises a plurality of air channels formed by at least one surface of the thermal element through which air flows and convects heat away by active or passive air convection from the source generating the heat (such as a light source or a processor). In one embodiment, the light emitting device comprises a plurality of air channels along vertically oriented sides of the device through which air flows and convects heat through (naturally or forced air). In another embodiment, the thermal transfer element has a thermal conductivity greater than one selected from group of 0.5, 0.7, 1, 2, 5, 10, 50, 100, 200, 300, 400, 800, and 1000  $W \cdot m^{-1} \cdot K^{-1}$  at a temperature of 296 degrees Kelvin.

#### Other Optical Films

**[0425]** In another embodiment, the light emitting device further comprises a light redirecting optical film, element, or

region that redirects light incident at a first range of angles, wavelength range, and polarization range into a second range of angles different than the first.

#### Light Redirecting Optical Element

**[0426]** In one embodiment, the light redirecting optical element is disposed between at least one region of the light emitting region and the outer surface of the light emitting device (which may be a surface of the light redirecting optical element). In a further embodiment, the light redirecting optical element is shaped or configured to substantially conform to the shape of the light emitting region of the light emitting device. For example, a light emitting sign may comprise a lightguide film that is substantially transparent surrounding the light emitting region that is in the shape of indicia; wherein the lightguide film comprises light extraction features in the region of the indicia; and a light redirecting optical element (such as a film with substantially hemispherical light collimating surface features) cut in the shape of the light emitting region is disposed between the light emitting region of the lightguide film and the light emitting surface of the light emitting device. In another embodiment, a light emitting sign comprises a film-based lightguide and a light redirecting optical element comprising a lens array formed from microlenses or microlenses (such as substantially hemispherical lenses used in integral images or 3D integral displays or photographs) disposed to receive light from the lightguide wherein the lens array separates light from the lightguide into two or more angularly separated images such that the sign displays stereoscopic images or indicia. The shape of the lens array film or component in the plane parallel to the lightguide film may be substantially conformal to the shape of the light emitting region or one or more sub-regions of the light emitting regions such that sign emits angularly separated information in the entire light emitting region or one or more sub-regions of the light emitting region. For example, the sign may have a first two dimensional text region and a second region with a stereoscopic image.

**[0427]** In one embodiment, the light redirecting optical film, element or region comprises at least one surface or volumetric feature selected from the group: refractive, prismatic, totally internally reflective, specular reflective element or coating, diffusely reflective element or coating, reflective diffractive optical element, transmissive diffractive optical element, reflective holographic optical element, transmissive holographic optical element, reflective light scattering, transmissive light scattering, light diffusing, multi-layer anti-reflection coating, moth-eye or substantially conical surface structure type anti-reflection coating, Giant Birefringent Optic multilayer reflection, specularly reflective polarizer, diffusely reflective polarizer, cholesteric polarizer, guided mode resonance reflective polarizer, absorptive polarizer, transmissive anisotropic scattering (surface or volume), reflective anisotropic scattering (surface or volume), substantially symmetric or isotropic scattering, birefringent, optical retardation, wavelength converting, collimating, light redirecting, spatial filtering, angular dependent scattering, electro-optical (PDLC, liquid crystal, etc.), electrowetting, electrophoretic, wavelength range absorptive filter, wavelength range reflective filter, structured nano-feature surface, light management components, prismatic structured surface components, and hybrids of two or more of the aforementioned films or components.

**[0428]** Some examples of light redirecting optical films with prismatic structured surfaces may include, but are not limited to, Vikuiti™ Brightness Enhancement Film (BEF I, BEF II, BEF III, BEF III 90/50 5T, BEF III 90/50 M, BEF III 90/50 M2, BEF III 90/50 7T, BEF III 90/50 10T, BEF III 90/50 AS), Vikuiti™ Transparent Right Angle Film (TRAF), Vikuiti™ Optical Lighting Film (OLF or SOLF), IDF II, TRAF II, or 3M™ Diamond Grade™ Sheeting, all of which are available from 3M Company, St. Paul, Minn. Other examples of light management component constructions may include the rounded peak/valley films described in U.S. Pat. Nos. 5,394,255 and 5,552,907 (both to Yokota et al.), Reverse Prism Film from Mitsubishi Rayon Co., Ltd or other totally internally reflection based prismatic film such as disclosed in U.S. Pat. Nos. 6,746,130, 6,151,169, 5,126,882, and 6,545,827, lenticular lens array film, microlens array film, diffuser film, microstructure BEF, nanostructure BEF, Rowlux microlens film from Rowland Technologies, films with arrangements of light concentrators such as disclosed in U.S. Pat. No. 7,160,017, and hybrids of one or more of the aforementioned films.

**[0429]** In another embodiment, the light emitting device further comprises an angularly selected light absorbing film, element or region. Angularly selective light absorbing films may substantially transmit light within a first incident angular range and substantially absorb light within a second incident angular range. These films can reduce glare light, absorb undesired light at specific angles (such as desired in military applications where stray or unwanted light can illuminate parts of the cockpit or the windshield causing stray reflections. Louver films, such as those manufactured by skiving a multi-layered material at a first angle are known in the display industry and include louver films such as 3M™ Privacy Film by 3M Company and other angular absorbing or redirecting films such as those disclosed in U.S. Pat. Nos. 7,467,873; 3,524,789; 4,788,094; and 5,254,388.

#### Light Reflecting Film

**[0430]** In another embodiment, a light emitting device comprises a lightguide disposed between a light reflecting film and the light emitting surface of the light emitting device. In one embodiment, the light reflecting film is a light reflecting optical element. For example, a white reflective polyester film of at least the same size and shape of the light emitting region may be disposed on the opposite side of the lightguide as the light emitting surface of the light emitting device or the light reflecting region may conform to the size and shape of one or all of the light emitting regions, or the light reflecting region may be of a size or shape occupying a smaller area than the light emitting region. A light reflecting film or component substantially the same shape as the light emitting region or region comprising light extracting features may maintain the transparency of the light emitting device in the regions surrounding or between the light emitting regions or regions comprising light extracting features while increasing the average luminance in the region on the light emitting surface of the light emitting device by at least one selected from the group: 20%, 30%, 40%, 50%, 60%, 70%, 80%, 90%, 100%, and 110% by reflecting a portion of the light received toward the light emitting surface.

#### Angular Broadening Element

**[0431]** In a further embodiment, a light emitting device comprises: a light redirecting element disposed to collimate

or reduce the angular FWHM of the light from the lightguide; a spatial light modulator; and an angular broadening element (such as a diffuser or light redirecting element) disposed on the viewing side of the spatial light modulator to increase the angular FWHM of the light exiting the spatial light modulator. For example, light may be collimated to pass through or onto pixels or sub-pixels of a spatial light modulator and the light may then angularly broadened (increase the angular FWHM) to increase the angle of view of the device. In a further embodiment, the angular broadening element is disposed within or on a component of the spatial light modulator. For example, a diffuser may be disposed between the outer glass and the polarizer in a liquid crystal display to broaden the collimated or partially collimated light after it has been spatially modulated by the liquid crystal layer. In a further embodiment, the light emitting device may further comprise a light absorbing film, circular polarizer, microlens type projection screen, or other rear projection type screen to absorb a first portion of the ambient light incident on the light emitting surface to improve the contrast.

#### Extracting Light from the Cladding

**[0432]** In one embodiment, a cladding region is disposed on or optically coupled to a core region of a lightguide and comprises a light extracting region operatively coupled to the cladding region on the side of the first cladding region opposite the lightguide that extracts light from the cladding region. Operatively coupling the light extracting region to the cladding region or a light extraction feature to a region includes, without limitation: adding, removing, or altering material on the surface of the cladding region or within the volume of the cladding region; disposing a material on the surface of the cladding region or within the volume of the cladding region; applying a material on the surface of the cladding region or within the volume of the cladding region; printing or painting a material on the surface of the cladding region or within the volume of the cladding region; removing material from the surface of the cladding region or from the volume of the cladding region; modifying a surface of the cladding region or region within the volume of the cladding region; stamping or embossing a surface of the cladding region or region within the volume of the cladding region; scratching, sanding, ablating, or scribing a surface of the cladding region or region within the volume of the cladding region; forming a light extracting region on the surface of the cladding region or within the volume of the cladding region; bonding a material on the surface of the cladding region or within the volume of the cladding region; adhering a material to the surface of the cladding region or within the volume of the cladding region; optically coupling the light extracting region to the surface of the cladding region or volume of the cladding region; optically coupling or physically coupling the light extracting region to the cladding region by an intermediate surface, layer or material disposed between the light extracting region and the cladding region; such that a portion of light propagating within the cladding region incident on the light extracting region will exit the cladding region or be re-directed to an angle smaller than the critical angle such that it does not remain within the cladding region, core region, coupling lightguide, lightguide, or other region through which it is propagating by total internal reflection.

**[0433]** In one embodiment, by extracting light from the cladding region, other layers or objects (such as fingers or dust) in contact with the cladding region or a region optically coupled to the cladding region in the light emitting area of a

display do not frustrate or extract light from the cladding causing reduced luminance contrast or poor display or sign visibility. In one embodiment, the light is extracted from the cladding by absorbing light from the cladding or scattering light directly within the cladding or on an outer surface of the cladding (the surface opposite the core region) or indirectly within or on an outer surface of a film or region optically coupled to the outer surface of the cladding. The scattered method of extracting light from the cladding scatters a portion of the incident light such that it is redirected into angles that do not totally internally reflect within the cladding region or a region optically coupled to the cladding region opposite the core region. For example, in one embodiment, the outer surface of a cladding region is roughened or comprises surface relief features that extract light propagating in the cladding. In another embodiment, a layer or region is optically coupled to the cladding region that comprises a light extracting region. For example, in one embodiment, a black PET film is optically coupled to the core region of a lightguide using a pressure sensitive adhesive that functions as the cladding in the region. In one embodiment, light propagating in a coupling lightguide at a first angle from the total internal reflection interface is propagating at a larger angle after the fold in the coupling lightguide and is extracted from the first cladding region by the light extracting region.

#### Light Absorbing or Scattering Region or Layer

**[0434]** In one embodiment, at least one selected from the group: cladding, adhesive, layer disposed between the lightguide or lightguide region and the outer light emitting surface of the light emitting device, patterned region, printed region, and extruded region on one or more surfaces or within the volume of the film comprises a light absorbing material which absorbs a first portion of light in a first predetermined wavelength range. In one embodiment, a light absorbing region is a black or light absorbing ink coated on the cladding layer or a light absorbing material such as a black PET film optically coupled using an adhesive to a cladding layer on a core layer of a lightguide in the light mixing region.

**[0435]** In one embodiment, the light absorbing region or layer is optically coupled to a cladding region on one or more regions selected from the group: the coupling lightguide regions, the light mixing regions, and the light emitting regions. In this embodiment, the light absorbing region can absorb a first portion of the light within the cladding to which it is optically coupled. In one embodiment, the first portion of the light absorbed is greater than one selected from the group: 5%, 10%, 20%, 30%, 40%, 50%, 60%, 70%, 80%, 90%, and 95%. In one embodiment, the light propagating in the cladding is substantially absorbed by the light absorbing region. In one embodiment, the light absorbing region further comprises a light scattering material that scatters a portion of the light propagating within the first cladding region into angles such that it is extracted from the first cladding region or reflects light at an angle less than the critical angle for the first cladding region, a second cladding region at the surface opposite the lightguide, or the core region of the lightguide. In one embodiment, the light absorbing region comprises a white ink or material that absorbs a small portion of light and substantially reflectively scatters a larger portion of light than it absorbs. In another embodiment, a light scattering region or layer is within the volume of, optically coupled to, or forms the outer surface of a region of the cladding in one or more regions selected from the group: a coupling lightguide region,

a light mixing region, and a light emitting region. In this embodiment, the light propagating within the cladding can be extracted substantially before the light emitting region (or an area of interest in the light emitting region) by scattering it out of the cladding region. Removing the light propagating within the cladding, for example, may be desired in frontlight applications where fingerprints, smudges, oil, residue, dust, and scratches in the cladding or outer surface may be illuminated or visible due to the light propagating within the cladding when the light source is emitting light. Removing the light propagating in within the cladding in a backlight application can, for example without limitation, reduce stray light between pixels or layers, increase the spatial luminance contrast ratio, reduce stray light coupled into the cladding from light extraction features, reduce light coupling into other films or elements in contact or coupled to the cladding, reduce light propagating from one lightguide to another when two are coupled together, and reduce the angular FWHM intensity of light incident on the light extraction features, thus reducing the angular FWHM intensity of light extracted from directional light extraction features. The light propagating through the cladding can propagate through the lightguide at an angle less than the critical angle for the core region and cladding region interface. Light propagating at angles in the core region at or above the critical angle can penetrate into the cladding in an evanescent region. In one embodiment, less than 10% of the evanescent light from the light propagating in the lightguide that totally internally reflects at the cladding region interface extends into the light absorbing region. In another embodiment, the light absorbing region is, on average, greater than one selected from the group: 0.5, 1, 1.5, 2, 2.5, and 3 microns away from the interface between the core regions and the cladding regions.

**[0436]** In one embodiment, the first predetermined wavelength range includes light from 300 nm to 400 nm and the region absorbs UV light that could degrade or yellow the lightguide region, layer or other region or layer. In one embodiment, the cladding region is disposed between the light absorbing region and the lightguide such that the light propagating through the lightguide and the evanescent portion of the light propagating within the lightguide is not absorbed due to the absorbing region since it does not pass through the absorbing region unless it is extracted from the lightguide. In another embodiment, the light absorbing region or layer is an arrangement of light absorbing, light fluorescing, or light reflecting and absorbing regions which selectively absorb light in a predetermined pattern to provide a light emitting device with spatially varying luminance or color (such as in a dye-sublimated or inject printed overlay which is laminated or printed onto a layer of the film to provide a colored image, graphic, logo or indicia). In another embodiment, the light absorbing region is disposed in close proximity to the light extracting region such that the light emitted from the light emitting device due to the particular light extraction feature has a predetermined color or luminous intensity. For example, inks comprising titanium dioxide and light absorbing dyes can be disposed on the lightguide regions such that a portion of the light reaching the surface of the lightguide in that region passes through the dye and is extracted due to the light extraction feature or the light is extracted by the light extraction feature and passes through the dye.

**[0437]** In one embodiment, a light emitting device comprises a five layer lightguide region with a UV light absorbing

material disposed in the outer layers which are both optically coupled to cladding layers which are both optically coupled to the inner lightguide layer. In one embodiment, a 5 layer film comprises a polycarbonate material in the central lightguide layer with low refractive index cladding layers of a thickness between 1 micron and 150 microns optically coupled to the lightguide layer and a UV light absorbing material in the outer layers of the film.

**[0438]** In another embodiment, a light absorbing material is disposed on one side of the light emitting device such that the light emitted from the device is contrasted spatially against a darker background. In one embodiment, a black PET layer or region is disposed in proximity to one side or region of the light emitting device. In another embodiment, white reflecting regions are disposed in proximity to the light extracting region such that the light escaping the lightguide in the direction of the white reflecting region is reflected back toward the lightguide. In one embodiment, a lightguide comprises a lightguide region; and a cladding region and a light absorbing layer is disposed (laminated, coated, co-extruded, etc.) on the cladding region. In another embodiment, the light absorbing material is a dye that sublimates or infuses into the volume of the cladding. In one embodiment, light from a laser cuts (or ablates) regions in the light absorbing layer and creates light extracting regions in the cladding region and/or lightguide region. A white reflecting film such as a white PET film with voids is disposed next to the light absorbing region. The white film may be laminated or spaced by an air gap, adhesive or other material. In this example, a portion of the light extracted in the light extracting regions formed by the laser is directed toward the white film and reflected back through the lightguide where a portion of this light escapes the lightguide on the opposite side and increases the luminance of the region. This example illustrates where registration of the white reflecting region, black reflection region, and light extracting regions are not necessary since the laser created holes in the black film and created the light extracting features at the same time. This example also illustrates the ability for the light emitting device to display an image, logo, or indicia in the off state where light is not emitted from the light source since the white reflective regions reflect ambient light. This is useful, for example, in a sign application where power can be saved during the daytime since ambient light can be used to illuminate the sign. The light absorbing region or layer may also be a colored other than black such as red, green, blue, yellow, cyan, magenta, etc.

**[0439]** In another embodiment, the light absorbing region or layer is a portion of another element of the light emitting device. In one embodiment, the light absorbing region is a portion of the black housing comprising at least a portion of the input coupler that is optically coupled to the cladding region using an adhesive.

**[0440]** In another embodiment, the cladding, outer surface or portion of the lightguide of a light emitting device comprises a light absorbing region such as a black stripe region or light scattering region that absorbs or scatters, respectively, more than one selected from the group: 50%, 60%, 70%, 80% and 90% of the visible light propagating within the cladding region. In one embodiment, the light absorbing region absorbs light propagating within the cladding region from light coupled into the cladding region at the light input surface of the coupling lightguides in the light input coupler. In another embodiment, the lightguide is less than 200 microns in thickness and a light absorbing region optically coupled to

the cladding absorbs more than 70% of the light propagating within the cladding which passes through the lightguide, wherein the width of the light absorbing region in the direction of the light propagating within the lightguide is less than one selected from the group: 10 millimeters, 5 millimeters, 3 millimeters, 2 millimeters, and 1 millimeter. In another embodiment, the light absorbing region has a width in the direction of propagation of light within the lightguide between one selected from the group: 0.5-3 millimeters, 0.5-6 millimeters, 0.5-12 millimeters, and 0.05-10 centimeters. In another embodiment, the light scattering region within the volume, on the surface of, or optically coupled to the cladding region on the side opposite the core region has a width in the direction of propagation of light within the lightguide between one selected from the group: 0.5-3 millimeters, 0.5-6 millimeters, 0.5-12 millimeters, and 0.05-10 centimeters.

**[0441]** In one embodiment, the light absorbing region is at least one selected from the group: a material patterned into a line, a material patterned into a shape or collection of shapes, a material patterned on one or both sides of the film, cladding, or layer optically coupled to the cladding, a material patterned on one or more lightguide couplers, a material patterned in the light mixing region, a material patterned in the lightguide, and a material patterned in the lightguide region. In another embodiment, the light absorbing region is patterned during the cutting step for the film, coupling lightguides, or cutting step of other regions, layers or elements. In another embodiment, the light absorbing region covers at least one percentage of surface area of the coupling lightguides selected from the group: 1%, 2%, 5%, 10%, 20%, and 40%.

#### Adhesion Properties of the Lightguide, Film, Cladding or Other Layer

**[0442]** In one embodiment, at least one selected from the group: the lightguide, light transmitting film, cladding, and layer disposed in contact with a layer of the film has adhesive properties. In one embodiment, the cladding is a "low tack" adhesive that allows the film to be removed from a window or substantially planar surface while "wetting out" the interface. By "wetting out" the interface as used herein, the two surfaces are optically coupled such that the Fresnel reflection from the interfaces at the surface is less than 2%. The adhesive layer or region may comprise a polyacrylate adhesive, animal glue or adhesive, carbohydrate polymer as an adhesive, natural rubber based adhesive, polysulfide adhesive, tannin based adhesive, lignin based adhesive, furan based adhesive, urea formaldehyde adhesive, melamine formaldehyde adhesive, isocyanate wood binder, polyurethane adhesive, polyvinyl and ethylene vinyl acetate, hot melt adhesive, reactive acrylic adhesive, anaerobic adhesive, or epoxy resin adhesive.

**[0443]** In one embodiment, the adhesive layer or region has an ASTM D 903 (modified for 72 hour dwell time) peel strength to standard window glass less than one selected from the group 77 N/100 mm, 55 N/100 mm, 44 N/100 mm, 33 N/100 mm, 22 N/100 mm, and 11 N/100 mm. In another embodiment, the adhesive, when adhered to glass, will support the weight of the light emitting device.

#### Removable Protective Layer

**[0444]** In one embodiment, the light emitting device comprises a removable protective layer. In another embodiment, a light transmitting film is disposed on the outer surface of the light emitting device and the ASTM D 903 (modified for 72

hour dwell time) peel strength to the lightguide is less than one selected from the group 77 N/100 mm, 55 N/100 mm, 44 N/100 mm, 33 N/100 mm, 22 N/100 mm, and 11 N/100 mm. In another embodiment, when the outer surface of the light emitting device becomes scratched, damaged, or reduces the optical performance of the light emitting device, the outer layer of the film may be removed. In a further embodiment, a tag or extended region of the protective layer allows the individual layer to be removed while maintaining the integrity or position of the lightguide beneath which may have one or more additional protective layers disposed thereupon. In one embodiment, a thin film-based lightguide disposed as a frontlight for a reflective display comprises removable protective layers. The protective layers may be thin or thick and may comprise materials such as those used as display screen protectors, anti-reflection coatings, anti-glare coatings or surfaces, hardcoatings, circular polarizers, or surface structures that reduce the visibility of fingerprints such as those disclosed in U.S. patent application Ser. No. 12/537,930.

#### Removable Component Comprising Automatic Identification or Data Capture

**[0445]** In one embodiment, a removable component or cartridge of the light emitting device comprises an automatic identification and data capture method (such as indicia) or an information carrying method to provide information readable by the light emitting device. In another embodiment, at least one selected from the group: the light input coupler, coupling lightguides, light mixing region, lightguide region, lightguide, film, cladding region, housing for the light input coupler, and separate component of the device comprises indicia or an information carrying method that provides information to the light emitting device. The information provided by the indicia or information carrying method may comprise information related to changing the light output of the light emitting device from a first state to a second state. In one embodiment, the indicia or information carrying method provides information to the light emitting device that directs the light emitting device to at least one selected from the group: turn on, turn off, adjust the overall intensity of the light output, adjust the relative intensity of light output from one or more light sources (such as to change the color from warm white to a cool white, from red to blue, change the color over time based on expected LED degradation rates, from a white based on RGB to white based on white LEDs, etc.) in one or more regions (such as turn on blue only in one region to illuminate a blue region of a logo corresponding to water) or lightguides (turning on one lightguide for the flashing "Sale" logo within the lightguide to be illuminated on top of a soft drink bottle advertisement), change the average color, change the times for on and off, change the identification lights for time to change the lightguide film or light source, change the alarms or special turn on times, change the display information related to authenticity of the component for anti-counterfeiting, change the location specific information, and change the component lifetime information (the light emitting device could display, for example, information relating to "Time to change the film" or "Battery life is low" or "Call for Service (555) 555-5555"). In another embodiment, the removable component comprises multiple lightguide layers and information and an information carrying method to prescribe which lightguide or combination of lightguides should turn on in relation to the date or time information in a clock within the light emitting device. For example, a stack of lightguides

could comprise lightguides with images corresponding to images for Christmas, Thanksgiving, St. Patrick's Day, Halloween, etc. which could come on at the appropriate predetermined time of year for a light emitting window display.

**[0446]** In one embodiment, the indicia comprises information in the form of a pattern, text, or arrangement of ink, light extracting surface or volumetric features, or other optically detectible pattern or indicia on a component of the light emitting device. The component may be designed to be field removable such that the new information or configuration specific for the new component can be read by the device and it can be configured appropriately. In one embodiment, the indicia is a pattern of dots, letters, characters, or indicia on the film, lightguide, lightguide region, lightguide, housing or surface of a component of the removable components. The pattern of dots, characters, letters or indicia may vary in size, shape, spacing, color (for example, red, green blue, black, and white dots), or percent reflectance. In one embodiment, the indicia are an arrangement of 1D bars as in a barcode or 2D matrix or 2D barcode.

**[0447]** In another embodiment, the information carrying method is one selected from physical protrusions or notches in a component, physical switches, indentations or grooves in a component, an active, passive, or battery assisted Radio-Frequency Identification (RFID) tag or label, High-frequency RFID or HFID/HighFID, Ultra-HighFID or UHFID, a magnetic stripe, a smart card component, an optical RFID (or OPID). In one embodiment, an RFID tag is printed onto the surface or the surface of a layer within the film used as the coupling lightguide, lightguide region, light mixing region, or lightguide. In another embodiment, the RFID tag is adhered to a component of the cartridge and the reader is within the base unit. In one embodiment, at least one light source within the light emitting device is used to illuminate a printed pattern or light extraction feature pattern disposed on the lightguide, lightguide region, light mixing region or lightguide. In another embodiment, the lightguide, lightguide region, light mixing region, or coupling lightguide comprises a plurality of light absorbing or scattering regions arranged to provide information when illuminated by a plurality of light sources. For example, in one embodiment, each base unit comprising a visible light source and an IR LED which is used as a detector or transmitter. When the cartridge is inserted (or at some other event such as a reset or power on, or a change of state such as lightguide replacement), the various light sources may cycle through a pattern (such as sequentially, or turning the top 3 light source modules, then the side modules). Each IR LED may be used as a detector or a transmitter and may be electrically configured to switch between the two states. The location of the light absorbing or light reflecting regions will determine the relative intensities detected by the IR light emitting diodes that are not emitting light. In this embodiment, the light absorbing (such as an IR absorbing dye) or light reflecting regions can be coded to provide information specific to the lightguide film or cartridge. In another embodiment, visible LEDs are used and an at least one LED is configured to detect light within a specific wavelength range within the lightguide when the lightguide is illuminated by the other LEDs. The visible LEDs may cycle through and provide coded information based on the intensity reaching the visible light LED used as a detector. The relative intensity detected when a plurality of LEDs are illuminated by the light emitting device can provide coded information. More than

one LED can be used in a detector only mode, detector and illuminator mode, or illumination mode only.

**[0448]** In a further embodiment, each module of the light emitting device comprises an infra-red (IR) LED designed to operate in at least one of a detector mode or illumination mode and the light emitting device can electronically cycle through each module independently to illuminate the IR LEDs. By incorporating IR light scattering or reflecting regions or IR light absorbing regions in at least one selected from the group: coupling lightguide, light mixing region, lightguide region, and lightguide, the relative intensities of the IR light at a plurality of modules can be used to decode the information provided encoded by the IR light absorbing or light reflecting or light scattering regions. In another embodiment, a dye which absorbs a portion of light greater than 700 nm can be used in a region and white LEDs which emit a portion of light at wavelengths greater than 700 nm can be used as illumination sources and IR LEDs can be used as detectors and provide information based on the light reaching other IR LEDs configured in reverse mode. In this embodiment, for example, IR scattering flakes, powders or materials or IR absorbing dyes may be used on at least one coupling lightguide to provide relative intensity information to the IR LED when used as a detector.

**[0449]** In one embodiment, the pattern is an arrangement of colored indicia which is illuminated sequentially or simultaneously by more than one light source in the device. In one embodiment, the pattern is an array of colored indicia in which the reflected intensity of light from a plurality of indicia changes depending on the color of the light source. For example, the indicia pattern could be an array comprising a red dot, a blue dot, a purple dot, and an orange dot. An optical reading device such as a linear array of photovoltaic cells, photodiodes, CMOS imager, or CCD imager, etc. with or without color filters will detect different relative reflected intensities depending on the illumination wavelength spectrum. For example, when the blue LED is turned on, the blue dots will have a high intensity of reflected light and the purple dot will have a medium or high intensity of reflected light and the red dot will have a low level of reflected intensity. The relative reflectances for different illumination spectrums for different dots can provide encoded information.

**[0450]** The reading device of the light emitting device of one embodiment is an array of detectors or a single detector. In the case of the array of detectors, the detecting device could be a CCD or CMOS imaging device with a lens, microlens array, or other optical element to project the array of indicia onto the light detecting array elements.

**[0451]** In another embodiment, the detector on the light emitting device is a detecting element that provides for the information to be read serially when the removable component is attached (or removed) from the light emitting device. For example, the holding device for array of coupling lightguides could have a magnetic stripe which is read by the light emitting device with the holding device for the array of coupling lightguides is placed into the main base light emitting device unit comprising a light source. In another embodiment, the removable component or cartridge comprises a photovoltaic element coupled to the lightguide that powers a transmitter (radio frequency for example), or light source such that information is relayed back to the base unit.

**[0452]** In a further embodiment, the cartridge comprises mechanical holes, protrusions, or switches, or arrays or

matrixes thereof that provide information to the light emitting device when the cartridge is attached to the light emitting device base unit.

**[0453]** In another embodiment, the coupling lightguides comprise printed regions on the low refractive index region, the lightguide region of the coupling lightguides, or another layer disposed on a surface or between a coupling lightguide. In one embodiment, a portion of light input into the coupling lightguide scatters out of the coupling lightguides and is detected by an optical detector such as a CCD or CMOS imager or photovoltaic cell or light emitting diode.

#### Lightguide Comprising Circuitry or Electrical Components

**[0454]** In one embodiment, at least one electrical component is physically disposed on the lightguide or a layer physically coupled to the lightguide. By incorporating electrical components on the lightguide film, a separate substrate for one or more electrical components is not needed (thus lower volumes and component costs) and flexible roll-to-roll processing can be employed to manufacture or dispose the electrical component on the lightguide film. In another embodiment, the lightguide comprises at least one electrical component physically coupled to a cladding region, a cladding layer, or a layer or region physically coupled to the core material or the cladding material. In another embodiment, a light emitting device comprises a flexible layer comprising a plurality of electrical components and the layer is physically coupled to a flexible lightguide film. In one embodiment, a lightguide comprises at least one electrical component or component used with electrical component disposed thereon, wherein the at least one component is selected from the group: active electrical component, passive electrical component, transistor, thin film transistor, diode, resistor, terminal, connector, socket, cord, lead, switch, keypad, relay, reed switch, thermostat, circuit breaker, limit switch, mercury switch, centrifugal switch, resistor, trimmer, potentiometer, heater, resistance wire, thermistor, varistor, fuse, resettable fuse, metal oxide varistor, inrush current limiter, gas discharge tube, circuit breaker, spark gap, filament lamp, capacitor, variable capacitor, inductor, variable inductor, saturable inductor, transformer, magnetic amplifier, ferrite impedance, motor, generator, solenoid, speaker, microphone, RC circuit, LC circuit, crystal, ceramic resonator, ceramic filter, surface acoustic wave filter, transducer, ultrasonic motor, power source, battery, fuel cell, power supply, photovoltaic device, thermo electric generator, electrical generator, sensor, buzzer, linear variable differential transformer, rotary encoder, inclinometer, motion sensor, flow meter, strain gauge, accelerometer, thermocouple, thermopile, thermistor, resistance temperature detector, bolometer, thermal cutoff, magnetometer, hygrometer, photo resistor, solid state component, standard diode, rectifier, bridge rectifier, Schottky diode, hot carrier diode, zener diode, transient voltage suppression diode, varactor, tuning diode, varicap, variable capacitance diode, light emitting diode, laser, photodiode, solar cell, photovoltaic cell, photovoltaic array, avalanche photodiode, diode for alternating current, DIAC, trigger diode, SIDAC, current source diode, Peltier cooler, transistor, bipolar transistor, bipolar junction transistor, phototransistor, Darlington transistor (NPN or PNP), Sziklai pair, field effect transistor, junction field effect transistor, metal oxide semiconductor FET, metal semiconductor FET, high electron mobility transistor, thyristor, unijunction transistor, programmable unijunction transistor, silicon controlled rectifier, static induction transistor/thy-



ristor, triode for alternating current, composite transistor, insulated gate bipolar transistor, hybrid circuits, optoelectronic circuit, opto-isolator, opto-coupler, photo-coupler, photodiode, BJT, JFET, SCR, TRIAC, open collector IC, CMOS IC, solid state relay, opto switch, opto interrupter, optical switch, optical interrupter, photo switch, photo interrupter, led display, vacuum fluorescent display, cathode ray tube, liquid crystal display (preformed characters, dot matrix, passive matrix, active matrix TFT, flexible display, organic LCD, monochrome LCD, color LCD), diode, triode, tetrode, pentode, hexode, pentagrid, octode, barretter, nuvistor, compactron, microwave, klystron, magnetron, multiple electronic components assembled in a device that is in itself used as a component, oscillator, display device, filter, antennas, elemental dipole, biconical, yagi, phased array, magnetic dipole (loop), wire-wrap, breadboard, enclosure, heat sink, heat sink paste & pads, fan, printed circuit boards, lamp, memristor, integrated circuit, processor, memory, driver, and electrical leads and interconnects.

**[0455]** In another embodiment, the electrical component comprises organic components. In one embodiment, at least one electrical component is formed on the lightguide, or on a component of the lightguide, or on a layer physically coupled to the lightguide material using roll-to-roll processing. In a further embodiment, a flexible lightguide film material is physically coupled to at least one flexible electrical component or a collection of electrical components such that the resulting lightguide is flexible and has can emit light without temporary or permanent visible demarcation, crease, luminance non-uniformity, MURA, or blemish when a light emitting region is bent to a radius of curvature less than one selected from the group: 100 millimeters, 75 millimeters, 50 millimeters, 25 millimeters, 10 millimeters and 5 millimeters. Light Redirecting Element Disposed to Redirect Light from the Lightguide

**[0456]** In one embodiment, a light emitting device comprises a lightguide with light redirecting elements disposed on or within the lightguide and light extraction features disposed in a predetermined relationship relative to one or more light redirecting elements. In another embodiment, a first portion of the light redirecting elements are disposed above a light extraction feature in a direction substantially perpendicular to the light emitting surface, lightguide, or lightguide region. In a further embodiment, light redirecting elements are disposed to redirect light which was redirected from a light extraction feature such that the light exiting the light redirecting elements is one selected from the group: more collimated than a similar lightguide with a substantially planar surface; has a full angular width at half maximum intensity less than 60 degrees, 50 degrees, 40 degrees, 30 degrees, 20 degrees, 10 degrees, or 5 degrees in a first light output plane; has a full angular width at half maximum intensity less than 60 degrees, 50 degrees, 40 degrees, 30 degrees, 20 degrees, 10 degrees, or 5 degrees in a first light output plane and second light output plane orthogonal to the first output plane; and has a full angular width at half maximum intensity less than 60 degrees, 50 degrees, 40 degrees, 30 degrees, 20 degrees, 10 degrees, or 5 degrees in all planes parallel to the optical axis of the light emitting device.

**[0457]** In one embodiment, the lightguide comprises a substantially linear array of lenticules disposed on at least one surface opposite a substantially linear array of light extraction features wherein the light redirecting element collimates a first portion of the light extracted from the lightguide by the

light extraction features. In a further embodiment, a light emitting device comprises a lenticular lens film lightguide further comprising coupling lightguides, wherein the coupling lightguides are disposed substantially parallel to the lenticules at the lightguide region or light mixing region and the lenticular lens film further comprises linear regions of light reflecting ink light extraction features disposed substantially opposite the lenticules on the opposite surface of the lenticular lens film lightguide and the light exiting the light emitting device is collimated. In a further embodiment, the light extraction features are light redirecting features (such as TIR grooves or linear diffraction gratings) that redirect light incident within one plane significantly more than light incident from a plane orthogonal to the first. In one embodiment, a lenticular lens film comprises grooves on the opposite surface of the lenticules oriented at a first angle greater than 0 degrees to the lenticules.

**[0458]** In another embodiment, a light emitting device comprises a microlens array film lightguide with an array of microlenses on one surface and the film further comprises regions of reflecting ink light extraction features disposed substantially opposite the microlenses on the opposite surface of the lenticular lens film lightguide and the light exiting the light emitting device is substantially collimated or has an angular FWHM luminous intensity less than 60 degrees. A microlens array film, for example can collimate light from the light extraction features in radially symmetric directions. In one embodiment, the microlens array film is separated from the lightguide by an air gap.

**[0459]** The width of the light extraction features (reflecting line of ink in the aforementioned lenticular lens lightguide film embodiment) will contribute to the degree of collimation of the light exiting the light emitting device. In one embodiment, light redirecting elements are disposed substantially opposite light extraction features and the average width of the light extraction features in first direction divided by the average width in a first direction of the light redirecting elements is less than one selected from the group: 1, 0.9, 0.7, 0.5, 0.4, 0.3, 0.2, and 0.1. In a further embodiment, the focal point of collimated visible light incident on a light redirecting element in a direction opposite from the surface comprising the light extraction feature is within at most one selected from the group: 5%, 10%, 20%, 30%, 40%, 50% and 60% of the width of light redirecting element from the light extraction feature. In another embodiment, the focal length of at least one light redirecting element or the average focal length of the light redirecting elements when illuminated by collimated light from the direction opposite the lightguide is less than one selected from the group: 1 millimeter, 500 microns, 300 microns, 200 microns, 100 microns, 75 microns, 50 microns and 25 microns.

**[0460]** In one embodiment, the focal length of the light redirecting element divided by the width of the light redirecting element is less than one selected from the group: 3, 2, 1.5, 1, 0.8, and 0.6. In another embodiment, the  $f/\#$  of the light redirecting elements is less than one selected from the group: 3, 2, 1.5, 1, 0.8, and 0.6. In another embodiment, the light redirecting element is a linear Fresnel lens array with a cross-section of refractive Fresnel structures. In another embodiment, the light redirecting element is a linear Fresnel-TIR hybrid lens array with a cross-section of refractive Fresnel structures and totally internally reflective structures.

**[0461]** In a further embodiment, light redirecting elements are disposed to redirect light which was redirected from a

light extraction feature such that a portion of the light exiting the light redirecting elements is redirected with an optical axis at an angle greater than 0 degrees from the direction perpendicular to the light emitting region, lightguide region, lightguide, or light emitting surface. In another embodiment, the light redirecting elements are disposed to redirect light which was redirected from a light extraction feature such that the light exiting the light redirecting elements is redirected to an optical axis substantially parallel to the direction perpendicular to the light emitting region, lightguide region, lightguide, or light emitting surface. In a further embodiment, the light redirecting element decreases the full angular width at half maximum intensity of the light incident on a region of the light redirecting element and redirects the optical axis of the light incident to a region of the light redirecting element at a first angle to a second angle different than the first.

**[0462]** In another embodiment, the angular spread of the light redirected by the light extraction feature is controlled to optimize a light control factor. One light control factor is the percentage of light reaching a neighboring light redirecting element which could redirect light into an undesirable angle. This could cause side-lobes or light output into undesirable areas. For example, a strongly diffusively reflective scattering light extraction feature disposed directly beneath a lenticule in a lenticular lens array may scatter light into a neighboring lenticule such that there is a side lobe of light at higher angular intensity which is undesirable in an application desiring collimated light output. Similarly a light extraction feature which redirects light into a large angular range such as a hemispherical dome with a relatively small radius of curvature may also redirect light into neighboring lenticules and create side-lobes. In one embodiment, the Bidirectional Scattering Distribution Function (BSDF) of the light extraction feature is controlled to direct a first portion of incident light within a first angular range into a second angular range into the light redirecting element to create a predetermined third angular range of light exiting the light emitting device.

#### Off-Axis Light Redirection

**[0463]** In a further embodiment, at least one light extraction feature is centered in a first plane off-axis from the axis of the light redirecting element. In this embodiment, a portion of the light extraction feature may intersect the optical axis of the light extraction feature or it may be disposed sufficiently far from the optical axis that it does not intersect the optical axis of the light extraction feature. In another embodiment, the distance between the centers of the light extraction features and the corresponding light redirecting elements in first plane varies across the array or arrangement of light redirecting elements.

**[0464]** In one embodiment, the locations of the light extraction features relative to the locations of the corresponding light redirecting elements varies in at least a first plane and the optical axis of the light emitted from different regions of the light emitting surface varies relative to the orientation of the light redirecting elements. In this embodiment, for example, light from two different regions of a planar light emitting surface can be directed in two different directions. In another example of this embodiment, light from two different regions (the bottom and side regions, for example) of a light fixture with a convex curved light emitting surface directed downwards is directed in the same direction (the optical axes of each region are directed downwards toward the nadir wherein the optical axis of the light redirecting elements in the bottom

region are substantially parallel to the nadir, and the optical axis of the light redirecting elements in the side region are at an angle, such as 45 degrees, from the nadir). In another embodiment, the location of the light extraction features are further from the optical axes of the corresponding light redirecting elements in the outer regions of the light emitting surface in a direction perpendicular to lenticules than the central regions where the light extraction regions are substantially on-axis and the light emitted from the light emitting device is more collimated. Similarly, if the light extraction features are located further from the optical axes of the light redirecting elements in a direction orthogonal to the lenticules from a first edge of a light emitting surface, the light emitted from the light emitting surface can be directed substantially off-axis. Other combinations of locations of light extraction features relative to light redirecting elements can readily be envisioned including varying the distance of the light extraction features from the optical axis of the light redirecting element in a nonlinear fashion, moving closer to the axis then further from the axis then closer to the axis in a first direction, moving further from the axis then closer to the axis then further to the axis in a first direction, upper and lower apexes of curved regions of a light emitting surface with a sinusoidal-like cross-sectional (wave-like) profile having light extraction features substantially on-axis and the walls of the profile having light extraction features further from the optical axis of the light redirecting elements, regular or irregular variations in separation distances of the light extraction features from the optical axes of the light redirecting elements, etc.

#### Angular Width Control

**[0465]** In one embodiment, the widths of the light extraction features relative to the corresponding widths of the light redirecting elements varies in at least a first plane and the full angular width at half maximum intensity of the light emitted from the light redirecting elements varies in at least a first plane. For example, in one embodiment, a light emitting device comprises a lenticular lens array lightguide film wherein the central region of the light emitting surface in a direction perpendicular to the lenticules comprises light extraction features that have an average width of approximately 20% of the average width of the lenticules and the outer region of the light emitting surface in a direction perpendicular to the lenticules comprises light extraction features with an average width of approximately 5% of the average width of the lenticules and the angular full width at half maximum intensity of the light emitted from the central region is larger than that from the outer regions.

#### Off-Axis and Angular Width Control

**[0466]** In one embodiment, the locations and widths of the light extraction features relative to the corresponding locations and widths, respectively, of the light redirecting elements varies in at least a first plane and the full angular width at half maximum intensity of the light emitted from the light redirecting elements and the optical axis of the light emitted from different regions of the light emitting surface varies in at least a first plane. By controlling the relative widths and locations of the light extraction features, the direction and angular width of the light emitted from the light emitting device can be varied and controlled to achieve desired light output profiles.

#### Light Redirecting Element

**[0467]** As used herein, the light redirecting element is an optical element which redirects a portion of light of a first

wavelength range incident in a first angular range into a second angular range different than the first. In one embodiment, the light redirecting element comprises at least one element selected from the group: refractive features, totally internally reflected feature, reflective surface, prismatic surface, microlens surface, diffractive feature, holographic feature, diffraction grating, surface feature, volumetric feature, and lens. In a further embodiment, the light redirecting element comprises a plurality of the aforementioned elements. The plurality of elements may be in the form of a 2-D array (such as a grid of microlenses or close-packed array of microlenses), a one-dimensional array (such as a lenticular lens array), random arrangement, predetermined non-regular spacing, semi-random arrangement, or other predetermined arrangement. The elements may comprise different features, with different surface or volumetric features or interfaces and may be disposed at different thicknesses within the volume of the light redirecting element, lightguide, or lightguide region. The individual elements may vary in the x, y, or z direction by at least one selected from the group: height, width, thickness, position, angle, radius of curvature, pitch, orientation, spacing, cross-sectional profile, and location in the x, y, or z axis.

**[0468]** In one embodiment, the light redirecting element is optically coupled to the lightguide in at least one region. In another embodiment, the light redirecting element, film, or layer comprising the light redirecting element is separated in a direction perpendicular to the lightguide, lightguide region, or light emitting surface of the lightguide by an air gap. In a further embodiment, the lightguide, lightguide region, or light emitting surface of the lightguide is disposed substantially between two or more light redirecting elements. In another embodiment, a cladding layer or region is disposed between the lightguide or lightguide region and the light redirecting element. In another embodiment, the lightguide or lightguide region is disposed between two light redirecting elements wherein light is extracted from the lightguide or lightguide region from both sides and redirected by light redirecting elements. In this embodiment, a backlight may be designed to emit light in opposite directions to illuminate two displays, or the light emitting device could be designed to emit light from one side of the lightguide by adding a reflective element to reflect light emitted out of the lightguide in the opposite direction back through the lightguide and out the other side.

**[0469]** In another embodiment, the average or maximum dimension of an element of a light redirecting element in at least one output plane of the light redirecting element is equal to or less than one selected from the group: 100%, 90%, 80%, 70%, 60%, 50%, 40%, 30%, 20%, and 10% the average or maximum dimension of a pixel or sub-pixel of a spatial light modulator or display. In another embodiment, a backlight comprises light redirecting elements that redirect light to within a FWHM of 30 degrees toward a display wherein each pixel or sub-pixel of the display receives light from two or more light redirecting elements.

**[0470]** In a further embodiment, the light redirecting element is disposed to receive light from an electro-optical element wherein the optical properties may be changed in one or more regions, selectively or as a whole by applying a voltage or current to the device. In one embodiment, the light extraction features are regions of a polymer dispersed liquid crystal material wherein the light scattering from the lightguide in a diffuse state is redirected by the light redirecting element. In another embodiment, the light extraction feature has a small

passive region and a larger active region disposed to change from substantially clear to substantially transmissive diffuse (forward scattering) such that when used in conjunction with the light redirecting element, the display can be changed from a narrow viewing angle display to a larger viewing angle display through the application or removal of voltage or current from the electro-optical region or material. For example, lines of grooved light extraction features are disposed adjacent (x, y, or z direction) a film comprising wider lines polymer dispersed liquid crystal (PDLC) material disposed to change from substantially clear to substantially diffuse upon application of a voltage across the electrodes. Other electro-optical materials such as electrophoretic, electro-wetting, electrochromic, liquid crystal, electroactive, MEMS devices, smart materials and other materials that can change their optical properties through application of a voltage, current, or electromagnetic field may also be used.

**[0471]** In another embodiment, the light redirecting element is a collection of prisms disposed to refract and totally internally reflect light toward the spatial light modulator. In one embodiment, the collection of prisms is a linear array of prisms with an apex angle between 50 degrees and 70 degrees. In another embodiment, the collection of prisms is a linear array of prisms with an apex angle between 50 degrees and 70 degrees to which a light transmitting material has been applied or disposed between the prisms and the lightguide or lightguide region within regions such that the film is effectively planarized in these regions and the collection of prisms is now two-dimensionally varying arrangement of prisms (thus on the surface it no longer appears to be a linear array). Other forms of light redirecting elements, reverse prisms, hybrid elements, with refractive or totally internally reflective features, or a combination thereof, may be used in an embodiment. Modifications of elements such as wave-like variations, variations in size, dimensions, shapes, spacing, pitch, curvature, orientation and structures in the x, y, or z direction, combining curved and straight sections, etc. are known in the art. Such elements are known in the area of backlights and optical films for displays and include those disclosed in "Optical film to enhance cosmetic appearance and brightness in liquid crystal displays," Lee et al., OPTICS EXPRESS, 9 Jul. 2007, Vol. 15, No. 14, pp. 8609-8618; "Hybrid normal-reverse prism coupler for light-emitting diode backlight systems," Aoyama et al., APPLIED OPTICS, 1 Oct. 2006, Vol. 45, No. 28, pp. 7273-7278; Japanese Patent Application No. 2001190876, "Optical Sheet," Kamikita Masakazu; U.S. patent application Ser. No. 11/743,159; U.S. Pat. Nos. 7,085,060, 6,545,827, 5,594,830, 6,151,169, 6,746,130, and 5,126,882.

#### Backlight or Frontlight

**[0472]** Typically, with displays comprising light emitting lightguides for illumination, the location of the lightguide will determine whether or not it is considered a backlight or frontlight for a display where traditionally a frontlight lightguide is a lightguide disposed on the viewing side of the display (or light modulator) and a backlight lightguide is a lightguide disposed on the opposite side of the display (or light modulator) than the viewing side. However, the frontlight or backlight terminology to be used can vary in the industry depending on the definition of the display or display components, especially in the cases where the illumination is from within the display or within components of the spatial light modulator (such as the cases where the lightguide is

disposed in-between the liquid crystal cell and the color filters or in-between the liquid crystal materials and a polarizer in an LCD). In some embodiments, the lightguide is sufficiently thin to be disposed within a spatial light modulator, such as between light modulating pixels and a reflective element in a reflective display. In these embodiment, light can be directed toward the light modulating pixels directly or indirectly by directing light to the reflective element such that it reflects and passes through the lightguide toward the light modulating pixels. In one embodiment, a lightguide emits light from one side or both sides and with one or two light distribution profiles that contribute to the “front” and/or “rear” illumination of light modulating components. In embodiments disclosed herein, where the light emitting region of the lightguide is disposed between the spatial light modulator (or electro-optical regions of the pixels, sub-pixels, or pixel elements) and a reflective component of a reflective display, the light emitting from the light emitting region may propagate directly toward the spatial light modulator or indirectly via directing the light toward a reflective element such that the light reflected passes back through the lightguide and into the spatial light modulator. In this case, the terms “frontlight” and “backlight” used herein may be used interchangeably.

**[0473]** In one embodiment, a light emitting display backlight or frontlight comprises a light source, a light input coupler, and a lightguide. In one embodiment, the frontlight or backlight illuminates a display or spatial light modulator selected from the group: liquid crystal displays (LCD's), MEMs based display, electrophoretic displays, cholesteric display, time-multiplexed optical shutter display, color sequential display, interferometric modulator display, bistable display, electronic paper display, LED display, TFT display, OLED display, carbon nanotube display, nanocrystal display, head mounted display, head-up display, segmented display, passive matrix display, active matrix display, twisted nematic display, in-plane switching display, advanced fringe field switching display, vertical alignment display, blue phase mode display, zenithal bistable device, reflective LCD, transmissive LCD, electrostatic display, electrowetting display, bistable TN displays, micro-cup EPD displays, grating aligned zenithal display, photonic crystal display, electrofluidic display, and electrochromic displays.

#### LCD Backlight or Frontlight

**[0474]** In one embodiment, a backlight or frontlight suitable for use with a liquid crystal display panel comprises at least one light source, light input coupler, and lightguide. In one embodiment, the backlight or frontlight comprises a single lightguide wherein the illumination of the liquid crystal panel is white. In another embodiment, the backlight or frontlight comprises a plurality of lightguides disposed to receive light from at least two light sources with two different color spectra such that they emit light of two different colors. In another embodiment, the backlight or frontlight comprises a single lightguide disposed to receive light from at least two light sources with two different color spectra such that they emit light of two different colors. In another embodiment, the backlight or frontlight comprises a single lightguide disposed to receive light from a red, green and blue light source. In one embodiment, the lightguide comprises a plurality of light input couplers wherein the light input couplers emit light into the lightguide with different wavelength spectrums or colors. In another embodiment, light sources emitting light of two different colors or wavelength spectrums are disposed to

couple light into a single light input coupler. In this embodiment, more than one light input coupler may be used and the color may be controlled directly by modulating the light sources.

**[0475]** In a further embodiment, the backlight or frontlight comprises a lightguide disposed to receive light from a blue or UV light emitting source and further comprises a region comprising a wavelength conversion material such as a phosphor film. In another embodiment, the backlight comprises 3 layers of film lightguides wherein each lightguide illuminates a display with substantially uniform luminance when the corresponding light source is turned on. In this embodiment, the color gamut can be increased by reducing the requirements of the color filters and the display can operate in a color sequential mode or all-colors-on simultaneously mode. In a further embodiment, the backlight or frontlight comprises 3 layers of film lightguides with 3 spatially distinct light emitting regions comprising light extraction features wherein each light extraction region for a particular lightguide corresponds to a set of color pixels in the display. In this embodiment, by registering the light extracting features (or regions) to the corresponding red, green, and blue pixels (for example) in a display panel, the color filters are not necessarily needed and the display is more efficient. In this embodiment, color filters may be used, however, to reduce crosstalk.

**[0476]** In a further embodiment, the light emitting device comprises a plurality of lightguides (such as a red, green and blue lightguide) disposed to receive light from a plurality of light sources emitting light with different wavelength spectrums (and thus different colored light) and emit the light from substantially different regions corresponding to different colored sub-pixels of a spatial light modulator (such as an LCD panel), and further comprises a plurality of light redirecting elements disposed to redirect light from the lightguides towards the spatial light modulator. For example, each lightguide may comprise a cladding region between the lightguide and the spatial light modulator wherein light redirecting elements such as microlenses are disposed between the light extraction features on the lightguide and the spatial light modulator and direct the light toward the spatial light modulator with a FWHM of less than 60 degrees, a FWHM of less than 30 degrees, an optical axis of emitted light within 50 degrees from the normal to the spatial light modulator output surface, an optical axis of emitted light within 30 degrees from the normal to the spatial light modulator output surface, or an optical axis of emitted light within 10 degrees from the normal to the spatial light modulator output surface. In a further embodiment, an arrangement of light redirecting elements are disposed within a region disposed between the plurality of lightguides and the spatial light modulator to reduce the FWHM of the light emitted from the plurality of lightguides. The light redirecting elements arranged within a region, such as on the surface of a film layer, may have similar or dissimilar light redirecting features. In one embodiment, the light redirecting elements are designed to redirect light from light extraction features from a plurality of lightguides into FWHM angles or optical axes within 10 degrees of each other. For example, a backlight comprising a red, green, and blue film-based lightguides may comprise an array of microlenses with different focal lengths substantially near the 3 depths of the light extraction features on the 3 lightguides. In one embodiment, lightguide films less than 100 microns thick enable light redirecting elements to be closer to the light extraction features on the lightguide and therefore capture

more light from the light extraction feature. In another embodiment, a light redirecting element such as a microlens array with substantially the same light redirection features (such as the same radius of curvature) may be used with thin lightguides with light extraction features at different depths since the distance between the nearest corresponding light extraction feature and farthest corresponding light extraction feature in the thickness direction is small relative to the diameter (or a dimension) of the light redirecting element, pixel, or sub-pixel.

**[0477]** In one embodiment a color sequential display comprises at least one light source, light input coupler, lightguide and a display panel wherein the panel has a refresh rate faster than one selected from the group: 150 hz, 230 hz, 270 hz, 350 hz, 410 hz, 470 hz, 530 hz, 590 hz, 650 hz, and 710 hz.

**[0478]** In another embodiment, a backlight or frontlight comprises at least one light source, light input coupler, and lightguide wherein lightguide comprises core regions that are substantially thinner than the film and are printed onto a film such that the color or flux of the light reaching light extracting regions can be controlled.

**[0479]** In another embodiment, a backlight or frontlight comprises at least one light source, light input coupler, and lightguide wherein lightguide forms a substrate or protective region within the display panel. In one embodiment, the lightguide is the substrate for the liquid crystal display. In a further embodiment, the lightguide is optically coupled to an outer surface of the display, is disposed within the display, within the liquid crystal cell, or between two substrates of the display.

**[0480]** In another embodiment, a backlight or frontlight comprises at least one light source and a light input coupler comprising at least one coupling lightguide optically coupled to at least one display component (such as a substrate, film, glass, polymer or other layer of a liquid crystal based display or other display) wherein the component guides light received from the at least one coupling lightguide in a waveguide condition. By optically coupling the coupling lightguides to a display component such as an LCD glass substrate for example, the component can function as the lightguide and alleviate the need for additional backlighting films or components.

**[0481]** In another embodiment, a light emitting device comprises more than one lightguide or lightguide region to provide redundancy of light output in case of difficulties with one backlight or for increased light output. In military and critical display applications (surgery rooms) one often desires to have redundancy in case of electrical or light source or other component failure. The reduced thickness of the film-based lightguide in embodiments allow for one or more additional backlights which may include more than one additional light source and driver and electronic control circuitry. In a further embodiment, one or more photodetectors such as silicon photodiodes or LEDs used in "reverse mode" detects the light intensity (or color) of the light within a region to determine if the redundant lightguide, color compensation lightguide, or high brightness backlight lightguide should be turned on. In another embodiment, multiple LEDs driven from the same or different circuits may be used at the same or different light input couplers to provide redundancy (or color compensation, or high brightness mode) within a single light input coupler or redundancy through multiple light input couplers within the same lightguide. When using multiple light input couplers on the same lightguide, the couplers may

be arranged on the same side, the opposite side, an orthogonal side, or at an edge different to the first light input coupler.

#### Modes of the Light Emitting Device

**[0482]** In another embodiment, a light emitting device comprises one or more modes selected from the group: normal viewing mode, daytime viewing mode, high brightness mode, low brightness mode, nighttime viewing mode, night vision or NVIS compatible mode, dual display mode, monochrome mode, grayscale mode, transparent mode, full color mode, high color gamut mode, color corrected mode, redundant mode, touchscreen mode, 3D mode, field sequential color mode, privacy mode, video display mode, photo display mode, alarm mode, nightlight mode, emergency lighting/sign mode. The daytime viewing mode may include driving the device (such as a display or light fixture) at a high brightness (greater than 300 Cd/m<sup>2</sup> for example) and may include using two or more lightguides, two or more light input couplers, or driving additional LEDs at one or more light input couplers to produce the increase in brightness. The nighttime viewing mode may include driving the device at a low brightness (less than 50 Cd/m<sup>2</sup> for example). The dual display mode may comprise a backlight wherein the lightguide illuminates more than one spatial light modulator or display. For example, in a cellphone where there are two displays in a flip configuration, each display can be illuminated by the same film lightguide that emits light toward each display. In a transparent mode, the lightguide may be designed to be substantially transparent such that one can see through the display or backlight. In another embodiment, the light emitting device comprises at least one lightguide for a first mode, and a second backlight for a second mode different than the first mode. For example, the transparent mode backlight lightguide on a device may have a lower light extraction feature density, yet enable see-through. For a high brightness mode on the same device, a second lightguide may provide increased display luminance relative to the transparent mode. The increased color gamut mode, may provide an increased color gamut (such as greater than 100% NTSC) by using one or more spectrally narrow colored LEDs or light sources. These LEDs used in the high color gamut mode may provide increased color gamut by illumination through the same or different lightguide or light input coupler. The color corrected mode may compensate for light source color variation over time (such as phosphor variation), LED color binning differences, or due to temperature or the environment. The touchscreen mode may allow one or more lightguides to operate as an optical frustrated TIR based touchscreen. The redundant backlight mode may comprise one or more lightguides or light sources that can operate upon failure or other need. The 3D mode for the light emitting device may comprise a display and light redirecting elements or a display and polarization based, LC shutter based, or spectrally selective based glasses to enable stereoscopic display. The mode may, for example, comprise one or more separate film-based backlight lightguide for 3D mode or a film-based lightguide and a display configured to display images stereoscopically. The privacy mode, for example, may comprise a switchable region of a polymer dispersed liquid crystal disposed beneath a light redirecting element to increase or decrease the viewing angle by switching to a substantially diffuse mode, or substantially clear mode, respectively. In another embodiment, the light emitting device further comprises a video display mode or a photo display mode wherein the color gamut is increased in the

mode. In a further embodiment, the light emitting device comprises an alarm mode wherein one or more lightguides is turned on to draw attention to a region or a display. For example, when a cellphone is ringing, the lightguide that is formed around or on a portion of the exterior of the cellphone may be illuminated to “light up” the phone when it is ringing. By using a film-based lightguide, the lightguide film may be formed into a phone housing (thermoforming for example) or it may be film-insert molded to the interior (translucent or transparent housing) or exterior of the housing. In another embodiment, the light emitting device has an emergency mode wherein at least one lightguide is illuminated to provide notification (such as displaying the illuminated word “EXIT”) or illumination (such as emergency lighting for a hallway). The illumination in one or more modes may be a different color to provide increased visibility through smoke (red for example).

#### NVIS Compatible Mode

**[0483]** The night vision or NVIS mode may include illuminating one or more lightguides, two or more light input couplers, or driving additional LEDs at one or more light input couplers to produce the desired luminance and spectral output. In this mode, the spectrum of the LEDs for an NVIS mode may be compatible with US Military specifications MIL-STD-3009, for example. In applications requiring an NVIS compatible mode, a combination of LEDs or other light sources with different colors may be used to achieve the desired color and compatibility in a daytime mode and nighttime mode. For example, a daytime mode may incorporate white LEDs and blue LEDs, and a nighttime or NVIS mode may incorporate white, red, and blue LEDs where the relative output of one or more of the LEDs can be controlled. These white or colored LEDs may be disposed on the same light input coupler or different light input couplers, the same lightguide or different lightguides, on the same side of the lightguide, or on a different side of the lightguide. Thus, each lightguide may comprise a single color or a mixture of colors and feedback mechanisms (such as photodiodes or LEDs used in reverse mode) may be used to control the relative output or compensate for color variation over time or background (ambient) lighting conditions. The light emitting device may further comprise an NVIS compatible filter to minimize undesired light output, such as a white film-based backlight lightguide with a multilayer dielectric NVIS compatible filter where the white lightguide is illuminated by white LEDs or white LEDs and Red LEDs. In a further embodiment, a backlight comprises one or more lightguides illuminated by light from one or more LEDs of color selected from the group: red, green, blue, warm white, cool white, yellow, and amber. In another embodiment, the aforementioned backlight further comprises a NVIS compatible filter disposed between the backlight or lightguide and a liquid crystal display.

#### Field Sequential Color Mode

**[0484]** In a further embodiment, a backlight or frontlight comprises a lightguide comprising light extraction features and a light redirecting element disposed to receive a portion of the light extracted from the lightguide and direct a portion of this light into a predetermined angular range. In another embodiment, the light redirecting element substantially collimates, reduces the angular full-width at half maximum

intensity to 60 degrees, reduces the angular full-width at half maximum intensity to 30 degrees, reduces the angular full-width at half maximum intensity to 20 degrees, or reduces the angular full-width at half maximum intensity to 10 degrees, a portion of light from the lightguide and reduces the percentage of cross-talk light from one light extraction region reaching an undesired neighboring pixel, sub-pixel, or color filter. When the relative positions of the light extraction features, light redirecting elements, and pixels, sub-pixels, or color filters are controlled then light from a predetermined light extraction feature can be controlled such that there is little leakage of light into a neighboring pixel, sub-pixel, or color filter. This can be useful in a backlight or frontlight such as a color sequential backlight wherein three lightguides (one for red, green, and blue) extract light in a pattern such that color filters are not needed (or color filters are included and the color quality, contrast or gamut is increased) since the light is substantially collimated and no light or a small percentage of light extracted from the lightguide by a light extraction feature on the red lightguide beneath a pixel corresponding to a red pixel will be directed into the neighboring blue pixel. In one embodiment, the light emitting device is a reflective display comprising a frontlight comprising three lightguides, each with a set of light extraction regions wherein the three light extraction regions do not substantially overlap when viewed under magnification looking from the viewing side of the display and the light extraction regions substantially align with individual light modulating pixels on the light emitting display. In this embodiment, color filters are not required and the efficiency of the lightguides and light emitting device can be increased. In one embodiment, each lightguide comprises a plurality of light extraction regions comprising substantially one light extraction feature aligned substantially above a light modulating pixel in a reflective spatial light modulator. In another embodiment, each lightguide comprises a plurality of light extraction regions comprising a plurality of light extraction features with each light extraction region aligned substantially above a light modulating pixel in a reflective spatial light modulator. In one embodiment, a light emitting display comprises a reflective or transmissive spatial light modulator and a film-based lightguide comprising an average of one or more selected from the group: 1, 2, 5, 10, 20, 50, more than 1, more than 2, more than 5, more than 10, more than 20, more than 20, and more than 50 light extraction features per spatial light modulating pixel when viewed normal to the light emitting surface of the display.

**[0485]** In another embodiment, the light emitting device is a reflective display comprising a reflective spatial light modulator and a frontlight or backlight comprising three lightguides, each comprising a set of light extraction regions wherein the uniformity of the light emitting from the first lightguide, second lightguide and third lightguide is greater than one selected from the group: 60%, 70%, 80%, and 90% when illuminated individually. In this embodiment, the intensity of the light source(s) directing light into each lightguide may be modulated to provide sequential color illumination for the reflective spatial light modulator.

#### Single or Multi-Color Mode

**[0486]** In one embodiment, the light emitting device comprises a first lightguide and a second lightguide disposed to receive light in a lightguide condition from a first light source and second light source, respectively, wherein the first light source has a color difference  $\Delta u'v'$  greater than 0.004 from the

second light source. In another embodiment, the light emitting device comprises a three lightguides disposed to receive light in a lightguide condition from three light sources wherein the three light sources each have a color difference  $\Delta u'v'$  greater than 0.004. For example, in one embodiment, a reflective display comprises a frontlight comprising a first, second, and third lightguide disposed to receive light from a red, green, and blue LED and each lightguide emits light toward the reflective spatial light modulator where it is modulated spatially and when driven with all pixels in the "on" or reflective mode, the spatial luminance uniformity of the light emitting pattern from each lightguide individually is greater than one selected from the group: 60%, 70%, 80%, and 90%.

#### Automatic or User Controlled Color Adjustment

**[0487]** In one embodiment, the light emitting device can be operated in a monochrome mode (such as blue-only mode). In another embodiment, the user of the light emitting device can selectively choose the color of the light emitted from the display or light emitting device. In another embodiment, the user can choose to change the mode and relative light output intensities from one or more light sources. For example, in one embodiment, the user can switch from a full-color 2D display using only the frontlight to a stereoscopic 3D display mode. In one embodiment, the user can adjust the color temperature of the white point of the display comprising a film-based lightguide and a light input coupler disposed to couple light from a red LED and a white LED into the coupling lightguides of the lightguide by adjusting the light output of the red LED relative to the white LED. In another embodiment, the user can switch a reflective display from a fixed white point color temperature frontlight only mode to an automatic white color temperature adjustment frontlight and ambient light mode that automatically adjusts the light output from a red LED relative to a white LED (or the relative intensities of blue, green, and red LEDs, etc.) to maintain the color temperature of the white point of the display in a variety of environmental ambient light spectral conditions such as "cool" fluorescent lighting and "warm" lighting from an incandescent bulb. In another embodiment, the user can select to change from a full-color RGB display mode to an NVIS compatible display mode with less red light output. In another embodiment, the user can select to change from an RGB illumination with light from red, green, and blue LEDs to a monochrome mode with light from white LEDs.

**[0488]** In a further embodiment, a film-based lightguide is disposed to receive light from a substantially white light source and a red light source. For example, by coupling light from a white LED and a red LED, the color temperature of the display can be adjusted. This can, for example, be changed by the user (for color preference, for example) or automatically. For example, in one embodiment, a light emitting device comprises a reflective display and a photosensor (such as one or more photodiodes with color filters or LEDs operated in reverse) that detects the color or spectral intensity of light within one or more wavelength bandwidths and adjusts the overall and/or relative light output intensities of the frontlights (or LEDs disposed to couple light into a single frontlight) to increase or decrease the luminance and/or adjust the combined color of light emitted from the reflective display. In another embodiment the light detector (or photosensor) used to detect the color or spectral intensity of light within one or more wavelength bandwidths also determines the relative brightness of the ambient light and the intensity of

the light from the frontlight is increased or decreased based on predetermined or user adjusted settings. In one embodiment, the photosensor comprises one or more light sensors such as LEDs used in reverse mode. In one embodiment, the photosensor is disposed in one or more locations selected from the group: behind the display, behind the frontlight, between the light emitting region of the display and the bezel, bezel or frame of the display, within the frame of the display, behind the housing or a light transmitting window of the housing or casing of the display or light emitting device, and in a region of the light emitting device separate from the display region. In another embodiment, the photosensor comprises a red, green, and blue LED driven in reverse to detect the relative intensities of the red, green, and blue spectral components of the ambient light. In another embodiment, the photosensor is disposed at the input surface of an arrangement of coupling lightguides disposed to transmit light from one or more light sources to the light emitting region of a film-based lightguide or at the output surface of output coupling lightguides extending from the film-based lightguide. In this embodiment, the photosensor can effectively collect the average intensity of the light incident on the display and the film-based lightguide frontlight and this can be compared to the relative output of the light from the light sources in the device. In this embodiment, the photosensor is less susceptible to shadows since the area of light collection is larger due to the larger spatial area comprising the light extraction features that are effectively working in reverse mode as light input coupling features coupling a portion of ambient light into the lightguide in a waveguide condition toward the photosensor.

**[0489]** One or more modes of the light emitting device may be configured to turn on automatically in response to an event. Events may be user oriented, such as turning on the high color gamut mode when the cellphone is used in the video mode, or in response to an environmental condition such as a film-based emergency light fixture electrically coupled to a smoke detection system (internal or external to the device) to turn on when smoke is detected, or a high brightness display mode automatically turning on when high ambient light levels are detected.

**[0490]** In another embodiment, the display mode may be changed from a lower luminance, higher color gamut mode (such as a mode using red, green, and blue LEDs for display illumination) to a higher luminance, lower color gamut mode (such as using white LEDs for illumination). In another embodiment, the display may switch (automatically or by user controls) from a higher color gamut mode (such as a light emitting device emitting light from red, green, and blue LEDs) to a lower color gamut mode (such as one using white phosphor based LEDs). In another embodiment, the display switches automatically or by user controls from a high electrical power mode (such as light emitting device emitting light from red, green, and blue LEDs) to a relatively low electrical power mode (such as a mode using only substantially white LEDs) for equal display luminances.

**[0491]** In a further embodiment, the display switches automatically or by user controls from a color sequential or field sequential color mode frontlight or backlight illumination mode to an ambient-light illumination mode that turns off or substantially reduces the light output from the frontlight or backlight and ambient light contributes to more than 50% of the flux exiting the display.

**[0492]** In one embodiment, a display comprises a film-based lightguide with a light input coupler disposed to receive

light from one or more light sources emitting light with one or more colors selected from the group: a red, green, blue, cyan, magenta, and yellow. For example, in one embodiment, a display comprises a film-based lightguide comprising one or more light input couplers disposed to receive light from a red, green, blue, cyan and yellow LED. In this embodiment, the color gamut of the display can be increased significantly over a display comprising only red, green, and blue illumination LEDs. In one embodiment, the LEDs are disposed within one light input coupler. In another embodiment, two or more LEDs of two different colors are disposed to input light into an arrangement of coupling lightguides. In another embodiment, a first light input coupler comprises one or more LEDs with a first spectral output profile of light entering a film-based lightguide and a second light input coupler with a second spectral output profile of light entering the film-based lightguide different than the first spectral output profile and the coupling lightguides in the first or second light input coupler are disposed to receive light at the input surface from an LED with a first peak wavelength and output wavelength bandwidth less than 100 nm and the coupling lightguides in the other light input coupler are not disposed to receive light at the input surface from an LED with substantially similar peak wavelength and substantially similar output wavelength bandwidth. In another embodiment, a light emitting device comprises two or more light input couplers comprising different configurations of different colored LEDs. In another embodiment, a light emitting device comprises two or more light input couplers comprising substantially the same configurations of different colored LEDs.

#### Stereoscopic Display Mode

**[0493]** In another embodiment, a display capable of operating in stereoscopic display mode comprises a backlight or frontlight wherein at least one lightguide or light extracting region is disposed within or on top of a film-based lightguide wherein at least two sets of light emitting regions can be separately controlled to produce at least two sets of images in conjunction with a stereoscopic display. The 3D display may further comprise light redirecting elements, parallax barriers, lenticular elements, or other optical components to effectively convert the spatially separated light regions into angularly separated light regions either before or after spatially modulating the light.

**[0494]** In a further embodiment, a light emitting device comprises at least one first lightguide emitting light in a first angular range and at least one second lightguide emitting light in a second angular range. By employing lightguides emitting light into two different angular ranges, viewing angle dependent properties such as dual view display or stereoscopic display or backlight can be created. In one embodiment, the first lightguide emits light with an optical axis substantially near +45 degrees from the normal to the light output surface and the second lightguide emits light with an optical axis substantially near -45 degrees from the normal to the light output surface. For example, a display used in an automobile display dash between the driver and passenger may display different information to each person, or the display may more efficiently direct light toward the two viewers and not waste light by directing it out normal to the surface. In a further embodiment, the first lightguide emits light corresponding to light illuminating first regions of a display (or a first time period of the display) corresponding to a left image and the second lightguide emits light corresponding to light

illuminating second regions of a display (or a second time period of the display) corresponding to a right image such that the display is a stereoscopic 3D display.

**[0495]** In one embodiment, the first lightguide emits substantially white light in a first angular direction from a first set of light extraction features and a second lightguide beneath the first lightguide emits substantially white light in a second angular direction from a second set of light extraction features. In another embodiment, the first set of light extraction features are disposed beneath a first set of pixels corresponding to a left display image and the second set of light extraction features are substantially spatially separated from the first and disposed beneath a second set of pixels corresponding to a right display image and the display is autostereoscopic. In a further embodiment, the aforementioned autostereoscopic display further comprises a third lightguide emitting light toward the first and second sets of pixels and is illuminated in a 2D display mode display full resolution.

**[0496]** In one embodiment, a light emitting display comprises a film-based lightguide and a reflective spatial light modulator wherein the light reflected by the reflective spatial light modulator from light incident from a lightguide due to light extracted from the lightguide propagating in a first direction does not substantially overlap the light reflected by the reflective spatial light modulator from light incident from the lightguide extracted from light propagating in a second direction different from the first direction. In one embodiment, a light emitting display comprises a reflective spatial light modulator with a diffusely reflecting properties wherein the angular full-width at half maximum intensity of the diffusely reflected light is less than one selected from the group: 50 degrees, 40 degrees, 30 degrees, 20 degrees, and 10 degrees when measured with laser light with a divergence less than 3 milliradians at an incidence angle of 35 degrees. In one embodiment, the diffusely reflecting spatial light modulator receives light from two peak directions from light exiting a film-based lightguide propagating within the lightguide with optical axes substantially oriented in opposite directions. For example, in this embodiment, light propagating in a first direction within a lightguide can be extracted from the lightguide such that it is incident on the reflective spatial light modulator at an angle of peak luminous intensity of +20 degrees from the normal to the reflective spatial light modulator with an angular full-width at half maximum intensity of 10 degrees in a first output plane and light propagating in a second direction opposite the first direction within a lightguide can be extracted from the lightguide such that it is incident on the reflective spatial light modulator at an angle of peak luminous intensity of -20 degrees from the normal to the reflective spatial light modulator with an angular full-width at half maximum intensity of 10 degrees in the first output plane. In this embodiment, the light originally propagating in the lightguide in the first direction is output at an angle of peak luminous intensity of about -20 degrees from the display normal and light originally propagating in the lightguide in the second direction is output from the display at an angle of about +20 degrees from the display normal in the first output plane. By modulating the light output (such as alternating light from two white LEDs coupled into two input coupling lightguides on opposite sides of a light emitting region), and synchronizing this with the reflective spatial light modulator, alternating images from the display can be directed into the +20 and -20 degree directions such that the viewer sees a stereoscopic 3D image, indicia, graphics, or video. In another



embodiment, the angle of peak intensity of the light from the first and second directions varies across the frontlight such that the light is focused toward two “eyebboxes” corresponding to a range of viewing positions for an average viewer’s eyes at a particular viewing distance. In one embodiment, the angle of peak luminous intensity at the center of the display from the light originally propagating with its optical axis in a first direction within a film-based lightguide is within a range selected from the group:  $-40$  degrees to  $-30$  degrees,  $-30$  degrees to  $-20$  degrees,  $-20$  degrees to  $-10$  degrees, and  $-10$  degrees to  $-5$  degrees from the normal to the display surface in a first output plane and the angle of peak luminous intensity at the center of the display from the light originally propagating with its optical axis in the film-based lightguide in a second direction is within a range selected from the group:  $+40$  degrees to  $+30$  degrees,  $+30$  degrees to  $+20$  degrees,  $+20$  degrees to  $+10$  degrees, and  $+10$  degrees to  $+5$  degrees from the normal to the display surface in the first output plane. In another embodiment, the first output plane is substantially parallel to the first and second directions.

**[0497]** In one embodiment, a light emitting display comprises a lenticular lens disposed to direct light into two or more viewing zones for stereoscopic display of images, video, information, or indicia and the lenticular lens is a film-based lightguide or comprises a film-based lightguide substrate. In this embodiment, the thickness of the stereoscopic display can be reduced by incorporating the film-based lightguide into the lenticular lens film. In a further embodiment, stray light reflections from frontlight at the air-lenticule surfaces are reduced by directing light from the lenticular lens toward the reflective display without passing through the lenticule-air surface until after reflection from the reflective spatial light modulator.

#### Light Collection for Photovoltaic Charging

**[0498]** In one embodiment, a light emitting device comprises a film-based lightguide comprising light extraction features that extract a portion of incident light from one or more light sources disposed in light input couplers out of the film-based lightguide and the light extraction features redirect a first portion of ambient light external to the display into the lightguide in a lightguide condition. In one embodiment, a portion of the ambient light directed into a film-based lightguide by the light extraction features (functioning also as light input coupling features) propagates to a photovoltaic cell disposed adjacent or proximate the light sources at the input surface of coupling lightguides in a light input coupler for the film-based lightguide or disposed adjacent or proximate the output surface of the coupling lightguides in a light output coupler for the film-based lightguide. In one embodiment, the light emitting device may be switched to a charging mode such that the display is turned off (immediately or after a brief time period) and light reaching the photovoltaic cell charges a battery, capacitor, or other energy storing device. In another embodiment the light emitting device charges or comprises a mode that charges an energy storage device when ambient light is sufficiently bright when the light emitting device is turned on or when the light emitting device is turned on or off. In another embodiment, the electrical power generated from the photovoltaic cell is directed to power the display or device without passing through the energy storage device when the power reaches a threshold voltage or current or combination thereof. In another embodiment, the photosensor that detects the ambient light intensity for backlight or frontlight intensity

adjustments also sends a signal to turn on the charging mechanism for charging the charge storage device using the photovoltaic cell when the ambient light level is above a threshold level measured by the voltage, current or a combination thereof from the photosensor.

#### Field Sequential Color & Stereoscopic Mode

**[0499]** One or more lightguides may be illuminated by red, green, and blue (and optionally other colors for increased color gamut such as yellow) light which may illuminate a spatial light modulator in a Field Sequential Color (FSC) or Color Sequential (CS) mode. In addition, the display may be driven in a fast mode such that when synchronized with liquid crystal based shutter glasses, the display appears 3D through stereoscopic display. Other methods such as passive polarizer (linear or circular) based viewing glasses and interference filter spectrally selective 3D methods (such as used by Dolby 3D) may also be employed with a field sequential color based backlight comprising a film-based lightguide. In another embodiment, the lightguides may be driven sequentially or the light sources illuminating separate lightguides may be driven sequentially. In one embodiment, one or more light sources illuminating a first lightguide are pulsed on, followed by pulsing on one or more light sources illuminating a second lightguide, then pulsing one or more light sources in the first lightguide. Multiple lightguides, spatial regions of one or more lightguides, or spectrally selected elements within the lightguides may be used in a color sequential display to increase the color gamut, decrease the percentage of light absorbed by the color filters, or eliminate the color filters. In another embodiment, two separate lightguides are illuminated with red, green, and blue light and the lightguides have two spatially separate regions comprising light extraction features wherein the light emitting device further comprises a light redirecting element which redirects light from the first lightguide into a first angular range corresponding to the left image and further redirects light from the second lightguide into a second angular range corresponding to the right image and a liquid crystal panel driven to display stereoscopic information in a spatial configuration and the display is a autostereoscopic 3D display. In a further embodiment, two separate lightguides are illuminated with red, green and blue light and the lightguides have two spatially separate or overlapping regions comprising light extraction features wherein the light emitting device further comprises a liquid crystal panel driven at a frequency higher than 100 hz to display stereoscopic information such that a stereoscopic display is visible with liquid crystal shutter based glasses. In a further embodiment, the red, green, and blue light emitted from the first backlight have wavelength spectrums R1, G1, and B1, respectively, and the red, green, and blue light emitted from the second backlight have wavelength spectrums R2, G2, and B2, respectively and R1 does not substantially overlap R2, G1 does not substantially overlap G2, and B1 does not substantially overlap B2, and spectrally selective viewing glasses may be used to view the display in stereoscopic 3D such as those disclosed in embodiments of stereoscopic viewing systems in US Patent Application Publication Numbers US20090316114, US20100013911, US20100067108, US20100066976, US20100073769, and US2010006085.

**[0500]** Table 1 illustrates examples of embodiments comprising one or more lightguides, one or more colored sources, 3D driving techniques, and pixel arrangements for 2D and 3D displays.

TABLE 1

Example modes for driving 2D & 3D displays under embodiments								
Light source modulation	Lightguides	Light extraction feature pattern	Two Angular outputs	Pixel Arrangement	Color Filters	Panel drive scheme	Shutter Glasses	2D/3D modes
Continuous	1 White	Standard	No	Standard	Yes	Standard	No	2D
Continuous	1 White	Standard	No	Standard	Yes	Left then right image	Yes	2D + 3D
Continuous	2 White	Spatially separate L & R	Yes	Standard + (L & R images)	Yes	Standard + 3D spatial mode	No	2D + 3D
Continuous	1 R + G + B	Standard	No	Standard	Yes	Standard	No	2D
Continuous	1 R + G + B	Standard	No	Standard	Yes	Left then right image	Yes	2D + 3D
Continuous	2 × R + G + B	Spatially separate L & R	Yes	Standard + (L & R images)	Yes	Standard + 3D spatial mode	No	2D + 3D
Continuous	3 (R, G, & B)	Standard	No	Standard	Yes	Standard	No	2D
Continuous	3 (R, G, & B)	Standard	No	Standard	Yes	Left then right image	Yes	2D + 3D
Continuous	3 (R, G, & B)	Separate regions for R, G, & B	No	Standard	None	Standard	No	2D
Continuous	3 (R, G, & B)	Separate regions for R, G, & B	No	Standard	None	Left then right image	Yes	2D + 3D
Source Color Sequential	1 R + G + B	Standard	No	Standard	Optional	Color Field Sequential (CFS)	No	2D
Source Color Sequential	1 R + G + B	Standard	No	Standard	Optional	CFS + Left then right image	Yes	2D + 3D
Source color sequential	3 (R, G, & B)	Standard	No	Standard	No	Color Field Sequential	No	2D
Source color sequential	3 (R, G, & B)	Standard	No	Standard	No	CFS + Left then right image	Yes	2D + 3D
Source color sequential	3 (R, G, & B)	Separate regions for R, G, & B	No	Standard	Optional	Color Field Sequential	No	2D
Source color sequential	3 (R, G, & B)	Separate regions for R, G, & B	No	Standard	Optional	Left then right image	Yes	2D + 3D
Lightguide sequential	2 White	Standard or adjacent patterns	Yes	Standard	Yes	Left then right image	No	2D + 3D
Lightguide Sequential	2 × (R + G + B)	Standard or adjacent patterns	Yes	Standard	Yes	Left then right image	No	2D + 3D
Lightguide Sequential	2 White	Separate regions for Left & Right images	No	Standard + L & R	Yes	Left then right image	Yes	2D + 3D
Lightguide Sequential	2 × (R + G + B)	Separate regions for Left & Right images	Yes	Standard + L & R	Yes	Left then right image	Yes	2D + 3D
R1, R2, G1, G2, B1, B2, stereoscopic color Sequential	2 × (R + G + B)	Standard	No	Standard	No	Stereoscopic CFS	Yes	2D + 3D
R1, R2, G1, G2, B1, B2, stereoscopic color Sequential	2 × (R + G + B)	Separate regions for Left & Right images	No	Standard + L & R	Optional	Stereoscopic CFS	Yes	2D + 3D
R1, R2, G1, G2, B1, B2, stereoscopic color Sequential	2 × (R + G + B)	Separate regions for Left & Right images	Yes	Standard + L & R	Optional	Stereoscopic CFS	No	2D + 3D

**[0501]** Drive schemes of liquid crystal displays, MEMS-based displays, projection displays, or other displays including Field Sequential Color drive or Color Sequential drive schemes of one or more embodiments include those disclosed in U.S. patent application Ser. No. 12/124,317, U.S. Pat. Nos. 7,751,663; 7,742,031; 7,742,016; 7,696,968; 7,695,180; 7,692,624; 7,731,371; 7,724,220; 7,728,810; 7,728,514; and US Patent Application Publication Numbers US20100164856; US20100164855; US20100164856; US20100165218; US20100156926; US20100149435; US20100134393; US20100128050; US20100127959; US20100118007; US20100117945; US20100117942; US20100110063; US20100109566; US20100079366; US20100073568; US20100072900; US20100060556; US20100045707; US20100045579; US20100039425; US20100039359; US20100039358; US20100019999; US20100013755.

**[0502]** In some embodiments shown in Table 1, the display shows information for one image and subsequently shows information for a second image (left and right images for example). It is understood that regions of the display can

display portions of the image for viewing by the left eye while a different region of the display simultaneously shows images corresponding to the right eye. The display may provide spatial light modulation corresponding to a first field of information in a region followed by a second field of information (such as a first frame followed by a second frame, progressive scanning, interlaced, etc.). Embodiment include standard pixel arrangements and 3D backlight and pixel arrangements such as matrix, RGB Stripes, and PenTile sub-pixel arrangements and other arrangements such as those disclosed in U.S. Pat. Nos. 6,219,025; 6,239,783; 6,307,566; 6,225,973; 6,243,070; 6,393,145; 6,421,054; 6,282,327; 6,624,828; 7,728,846; 7,689,058; 7,688,335; 7,639,849; 7,598,963; 7,598,961; 7,590,299; 7,589,743; 7,583,279; 7,525,526; 7,511,716; 7,505,053; 7,486,304; 7,471,843; 7,460,133; 7,450,190; 7,427,734; 7,417,601; 7,404,644; 7,396,130; 7,623,141; 7,619,637; and US Patent Application Publication numbers US20100118045; US20100149208 US20100096617; US20100091030; US20100045695; US20100033494; US20100026709; US20100026704; US20100013848; US20100007637; US20090303420; US20090278867;

US20090278855; US20090262048; US20090244113; US20090081064; US20090081063; US20090071734; US20090046108; US20090040207; US20090033604; US20080284758; US20080278466; US20080266330; and US20080266329.

**[0503]** In one embodiment, the light emitting device emits light toward a display with reflective components such that the illumination is directed toward the spatial light modulating pixels from the viewing side of the pixels. In another embodiment, a display comprises a film-based light emitting device comprising a light source, light input coupler, and lightguide lighting a display from the front wherein the light extracting regions of the lightguide direct light toward an interferometric modulator or IMOD such as those disclosed in U.S. Pat. Nos. 6,680,792; 7,556,917; 7,532,377 and 7,297,471. The lightguide may be a component external to the display, an integral component of the display, or optical coupled to a surface or layer of the display. In one embodiment, a frontlight comprises a lightguide film comprising a core material or cladding material that comprises silicone.

**[0504]** In another embodiment, a display comprises a film-based light emitting device comprising a light source, light input coupler, and lightguide lighting a display from the front wherein the light extracting regions of the lightguide direct light toward at least one selected from the group: reflective LCD, electrophoretic display, cholesteric display, zenithal bistable device, reflective LCD, electrostatic display, electrowetting display, bistable TN display, micro-cup EPD display, grating aligned zenithal display, photonic crystal display, electrofluidic display, and electrochromic display. In another embodiment, a display comprises a film-based light emitting device comprising a light source, light input coupler, and lightguide lighting a display wherein the light extraction features of the lightguide direct light toward a time-multiplexed optical shutter display such as one disclosed in U.S. patent application Ser. Nos. 12/050,045; 12/050,032; 12/050,045; 11/524,704; 12/564,894; 12/574,700; 12/546,601; 11/766,007 and U.S. Pat. Nos. 7,522,354 and 7,450,799.

**[0505]** In one embodiment, the light emitting device comprises a reflective spatial light modulator disposed between the lightguide and the light source for the light emitting device. For example, the lightguide could be disposed on the front of an electrophoretic display and at least one of the lightguide, lightguide region, light mixing region, or coupling lightguides could wrap around the electrophoretic display and the light source could be disposed behind the display.

**[0506]** In one embodiment, the lightguide serves as an illuminator for a frustrated total internal reflection type display such as an optical shutter display that is time-multiplexed by Unipixel Inc., a MEMs type display with a movable shutter such as displays by Pixtronix Inc., or a reflective MEMS based interferometric display such as those from Qualcomm MEMS Technologies, Inc. In some embodiments, the MEMS type display comprises light modulating pixels or regions that spatially modulate the intensity of light emitting from (in the case of frontlights used with a reflective display) or reflecting from the pixel region of a display (such as by controlling the separation between one or more components as in the interferometric based modulating device of Qualcomm MEMS Technology Inc.).

**[0507]** In some reflective display technologies such as an interferometric modulator (such as disclosed in U.S. patent application Ser. No. 12/340,497, filed on Dec. 19, 2008, assigned to QUALCOMM MEMS Technology, Inc.), the

spectrum and angle of incidence of light affects the intensity and color of a pixel at a particular viewing angle. In one embodiment, a reflective display comprises an interferometric reflective spatial light modulator and a film-based frontlight wherein the angle of the peak intensity of the light exiting the frontlight is within one selected from the group: 30 degrees, 20 degrees, 10 degrees, and 5 degrees of the angular peak reflection efficiency for the peak wavelength of light emitted from the lightguide. In another embodiment, a reflective display comprises an interferometric reflective spatial light modulator and a film-based frontlight wherein the wavelength of the light extracted from the frontlight is within one selected from the group: 100 nm, 50 nm, 30 nm, 20 nm, and 10 nm of the peak wavelength of reflected light from the angle of peak intensity of the light extracted from the lightguide. In a further embodiment, a reflective display comprises an interferometric reflective spatial light modulator and a film-based frontlight comprising a first, second, and third lightguide disposed to emit light at a first angle of peak intensity and first peak wavelength, a second angle of peak intensity and second peak wavelength, and third angle of peak intensity and third peak wavelength, respectively, toward the reflective spatial light modulator, wherein the first, second, and third peak wavelengths are different from each other and the peak angles of intensity of the light from each lightguide after reflection from the reflective spatial light modulator are within one selected from the group: 40 degrees, 30 degrees, 20 degrees, 10 degrees, 5 degrees, and 2 degrees from each other. In this embodiment, for example, the light extraction features (and/or other properties of the lightguide, light sources, light collimating elements, or other components in the system) can be designed such that the reflectance angles from the reflective spatial light modulator (such as an interferometric modulator reflective display) substantially align.

**[0508]** In another embodiment, various configurations of light sources and matching the light sources with reflective properties may be used such as known in the art and disclosed in U.S. patent application Ser. No. 12/340,497, assigned to QUALCOMM MEMS Technology, Inc.

**[0509]** In one embodiment, a light emitting device comprises a light input coupler and a film-based lightguide of a thickness of less than 100 microns, and light extraction features with average dimensions in the light emitting plane parallel to the optical axis within the lightguide less than 50 microns. In this example, the light extraction features can be disposed closer to the light modulating pixels due to the thin film-based lightguide and smaller light extraction features can be used such that they are the same size or smaller than a reflective light modulating pixel. In some embodiments, by using smaller light extraction features close to the reflective spatial light modulating pixels, the divergence of the light and direction of the light from the light extraction features can be controlled to illuminate only the modulating regions of the light modulating pixels or cause less than one selected from the group: 50%, 40%, 30%, 20%, 10%, 5%, and 2% of the light flux re-directed out of the lightguide by a first light extraction feature to reach a first light extraction feature or a second light extraction feature after reflection from the reflective spatial light modulator or a reflective light modulating pixel. In another embodiment, less than one selected from the group: 50%, 40%, 30%, 20%, 10%, 5%, and 2% of the total light flux re-directed out of the lightguide by light extraction

features reaches light extraction features after reflection from the reflective spatial light modulator or a reflective light modulating pixel.

[0510] In one embodiment, the light emitting device is a frontlight or backlight for an electrowetting based display. In one embodiment, a reflective display comprises an electrowetting material and a frontlight comprising a light input coupler and a film-based lightguide. For example, in one embodiment, the electrowetting display is an electrowetting display comprising an electrowetting material comprising a light absorbing or light scattering material. Examples of electrowetting displays include those discussed in U.S. patent application Ser. Nos. 12/303,487 and 12/814,803 assigned to Liquavista B.V. In one embodiment, the light emitting device is a reflective, transfective, or transmissive display wherein the light extraction features are substantially disposed in the spatial regions substantially above or below the light transmitting or light reflecting regions of the pixels of the display such that light is not extracted toward the inactive or undesired locations. For example, in one embodiment, the electrowetting display has a pixel region wherein one liquid is drawn from a substantially planar region into one thicker region toward a corner and the light extraction features are disposed substantially above (for a frontlight) the region where the liquid was previously located and substantially planar. In this embodiment, the area of the light absorbing region that substantially changes from a light absorbing region to a transparent region is substantially the region illuminated from the front in the case of a frontlight and from behind in the case of a backlight.

[0511] In one embodiment, a light emitting device comprises a film based lightguide and a light input coupler wherein the light extraction features are regions of a substantially transparent planar region electrowetting material that is not in optical contact with the lightguide or is substantially planar such that it maintains the lightguide condition for light within the lightguide. In this embodiment, when the electrowetting material is drawn from a substantially planar region to a shape comprising curved surfaces (such as a drop or bead of liquid) the curved surfaces extract light out of the lightguide at that location. In one embodiment, the light extracting electrowetting material is disposed on a substrate that is optically coupled to the film-based lightguide. In one embodiment, the electrowetting material that is pulled to one side comes into optical contact with the lightguide such that light is extracted out of the lightguide, through the electrowetting material and onto a light reflecting material such as an aluminum coated substrate or a white reflecting film.

[0512] In another embodiment, the film-based lightguide is the substrate for fabricating an electrowetting layer or MEMS based layer for spatial light modulation. In another embodiment, the film-based lightguide comprises a fluoropolymer-based coating disposed between the lightguide and the electrowetting liquid. In this embodiment, the fluoropolymer-based coating provides one or more properties selected from the group: providing a strong hydrophobic layer that ensures the spreading of an electrowetting material such as an oil film in the off-state, providing a low-refractive index cladding region to prevent unwanted out-coupling of light from the lightguide, and providing an inert coating. In one embodiment, the fluoropolymer based coating is a sub-micron thick amorphous fluoropolymer layer.

[0513] In another embodiment, a display comprises a film-based light emitting device comprising a light source, light

input coupler, and lightguide illuminating a display or providing a lightguide for a display to couple light out of wherein the display or light emitting device is a type disclosed in U.S. patent application Ser. Nos. 12/511,693; 12/606,675; 12/221,606; 12/258,206; 12/483,062; 12/221,193; 11/975,411 11/975,398; Oct. 31, 2003; Ser. No. 10/699,397 or U.S. Pat. Nos. 7,586,560; 7,535,611; 6,680,792; 7,556,917; 7,532,377; 7,297,471; 6,680,792; 6,865,641; 6,961,175; 6,980,350; 7,012,726; 7,012,732; 7,035,008; 7,042,643; 7,046,374; 7,060,895; 7,072,093; 7,092,144; 7,110,158; 7,119,945; 7,123,216; 7,130,104; 7,136,213; 7,138,984; 7,142,346; 7,161,094; 7,161,728; 7,161,730; 7,164,520; 7,172,915; 7,193,768; 7,196,837; 7,198,973; 7,218,438; 7,221,495; 7,221,497; 7,236,284; 7,242,512; 7,242,523; 7,250,315; 7,256,922; 7,259,449; 7,259,865; 7,271,945; 7,280,265; 7,289,256; 7,289,259; 7,291,921; 7,297,471; 7,299,681; 7,302,157; 7,304,784; 7,304,785; 7,304,786; 7,310,179; 7,317,568; 7,321,456; 7,321,457; 7,327,510; 7,333,208; 7,343,080; 7,345,805; 7,345,818; 7,349,136; 7,349,139; 7,349,141; 7,355,779; 7,355,780; 7,359,066; 7,365,897; 7,368,803; 7,369,252; 7,369,292; 7,369,294; 7,369,296; 7,372,613; 7,372,619; 7,372,619; 7,373,026; 7,379,227; 7,382,515; 7,385,744; 7,385,748; 7,385,762; 7,388,697; 7,388,704; 7,388,706; 7,403,323; 7,405,852; 7,405,861; 7,405,863; 7,405,924; 7,415,186; 7,417,735; 7,417,782; 7,417,783; 7,417,784; 7,420,725; 7,420,728; 7,423,522; 7,424,198; 7,429,334; 7,446,926; 7,446,927; 7,447,891; 7,450,295; 7,453,579; 7,460,246; 7,460,246; 7,460,290; 7,460,291; 7,460,292; 7,470,373; 7,471,442; 7,471,444; 7,476,327; 7,483,197; 7,486,429; 7,486,867; 7,489,428; 7,492,502; 7,492,503; 7,499,208; 7,502,159; 7,515,147; 7,515,327; 7,515,336; 7,517,091; 7,518,775; 7,520,624; 7,525,730; 7,526,103; 7,527,995; 7,527,996; 7,527,998; 7,532,194; 7,532,195; 7,532,377; 7,532,385; 7,534,640; 7,535,621; 7,535,636; 7,542,198; 7,545,550; 7,545,552; 7,545,554; 7,547,565; 7,547,568; 7,550,794; 7,550,810; 7,551,159; 7,551,246; 7,551,344; 7,553,684; 7,554,711; 7,554,714; 7,556,917; 7,556,981; 7,560,299; 7,561,323; 7,561,334; 7,564,612; 7,564,613; 7,566,664; 7,566,940; 7,567,373; 7,570,865; 7,573,547; 7,576,901; 7,582,952; 7,586,484; 7,601,571; 7,602,375; 7,603,001; 7,612,932; 7,612,933; 7,616,368; 7,616,369; 7,616,781; 7,618,831; 7,619,806; 7,619,809; 7,623,287; 7,623,752; 7,625,825; 7,626,581; 7,626,751; 7,629,197; 7,629,678; 7,630,114; 7,630,119; 7,630,121; 7,636,151; 7,636,189; 7,642,110; 7,642,127; 7,643,199; 7,643,202; 7,643,203; 7,643,305; 7,646,529; 7,649,671; 7,653,371; 7,660,031; 7,663,794; 7,667,884; 7,668,415; 7,675,665; 7,675,669; 7,679,627; 7,679,812; 7,684,104; 7,684,107; 7,692,839; 7,692,844; 7,701,631; 7,702,192; 7,702,434; 7,704,772; 7,704,773; 7,706,042; 7,706,044; 7,706,050; 7,709,964; 7,710,629; 7,710,632; 7,710,645; 7,711,239; 7,715,079; 7,715,080; 7,715,085; 7,719,500; 7,719,747; and 7,719,752.

Location of the Film-Based Lightguide Frontlight

[0514] In one embodiment, a film-based lightguide frontlight is disposed between a touchscreen film and a reflective spatial light modulator. In another embodiment, a touchscreen film is disposed between the film-based lightguide and the reflective spatial light modulator. In another embodiment, the reflective spatial light modulator, the film-based lightguide frontlight and the touchscreen are all film-based devices and the individual films may be laminated together. In another embodiment, the light transmitting electrically con-

ductive coating for the touchscreen device or the display device is coated onto the film-based lightguide frontlight. In a further embodiment, the film-based lightguide is physically coupled to the flexible electrical connectors of the display or the touchscreen. In one embodiment, the flexible connector is a "flexible cable", "flex cable," "ribbon cable," or "flexible harness" comprising a rubber film, polymer film, polyimide film, polyester film or other suitable film.

**[0515]** In another embodiment, the film-based lightguide frontlight comprises at least one of a lightguide region, light mixing region, coupling lightguide or light input coupler adhered to one or more flexible connectors and the light input coupler is folded behind the reflective display. For example, in one embodiment, a flexible film-based lightguide comprising a polydimethylsiloxane (PDMS) core and a low refractive index pressure sensitive adhesive cladding is laminated to a polyimide flexible display connector that connects the display drivers to the active display area in a reflective display.

**[0516]** In one embodiment, a light emitting device comprising a film-based frontlight and one or more of a light source, coupling lightguide, non-folded coupling lightguide, input coupler housing, alignment guide, light source thermal transfer element, and relative position maintaining element is physically coupled to a flexible circuit connector or circuit board physically coupled to a flexible circuit connector for a reflective display, touchscreen, or frontlight. For example, in one embodiment, a light source for the film-based lightguide is disposed on and electrically driven using the same circuit board as the drivers for a reflective display. In another embodiment, the flexible film-based lightguide comprises the traces, wires, or other electrical connections for the display or frontlight, thus enabling one less flexible connector as the film-based lightguide provides that function. In another embodiment, a light source for the film-based frontlight is physically coupled to or shares a common circuit board or flexible circuit with one or more of the following: a light source driver, display driver touchscreen driver, microcontroller, additional light source for an indicator, alignment or registration pins, alignment guides, alignment or registration holes, openings or apertures, heat sink, thermal transfer element, metal core substrate, light collimating optical element, light turning optical element, bi-directional optical element, light coupling optical element, secondary optic, light input coupler, plurality of light input couplers, and light emitting device housing.

**[0517]** In one embodiment, a reflective display comprises one or more film-based lightguides disposed within or adjacent to one or more regions selected from the group: the region between the touchscreen layer and the reflective light modulating pixels, the region on the viewing side of the touchscreen layer, the region between a diffusing layer and the reflective light modulating pixels, the viewing side of the diffusing layer in a reflective display, the region between a diffusing layer and the light modulating pixels, the region between the diffusing layer and the reflective element, the region between the light modulating pixels and a reflective element, the viewing side of a substrate for a component or the light modulating pixels, the reflective display, between the color filters and the spatial light modulating pixels, the viewing side of the color filters, between the color filters and the reflective element, the substrate for the color filter, the substrate for the light modulating pixels, the substrate for the touchscreen, the region between a protective lens and the reflective display, the region between a light extraction layer

and the light modulating pixels, the region on the viewing side of a light extraction layer, the region between an adhesive and a component of a reflective display, and between two or more components of a reflective display known in the art. In the aforementioned embodiment, the film-based lightguide may comprise volumetric light extraction features or light extraction features on one or more surfaces of the lightguide and the lightguide may comprise one or more lightguide regions, one or more cladding regions, or one or more adhesive regions.

**[0518]** Increasing the separation distance between spatially varying elements in display can cause unwanted light absorption due to the parallax or light entering at an angle being absorbed in a neighboring color filter or light modulating pixel. In one embodiment, a display comprises a frontlight or a backlight comprising a film-based lightguide with an average thickness in the light emitting region less than one selected from the group: 150, 100, 75, 50, 25, and 15 microns and the light emitting region is disposed between color filter elements and a light modulating pixel elements or between a light modulating pixel elements and a light reflecting element such that the light flux lost due to the increased separation between the two elements is less than one selected from the group: 40%, 30%, 20%, 10%, 5%, and 2%.

**[0519]** In one embodiment, the film-based lightguide is folded around a first edge of the active area of a reflective spatial light modulator behind a reflective spatial light modulator and one or more selected from the group: a touchscreen connector, touchscreen film substrate, reflective spatial light modulator connector, and reflective spatial light modulator film substrate is folded behind the first edge, a second edge substantially orthogonal to the first edge, or an opposite edge to the first edge. In the aforementioned embodiment, a portion of the lightguide region, light mixing region, or coupling lightguide comprises the bend region of the fold and may extend beyond the reflective spatial light modulator flexible connector, reflective spatial light modulator substrate, touchscreen flexible connector or touchscreen flexible substrate.

**[0520]** In one embodiment, the film-based lightguide frontlight comprises two light input couplers disposed along the same or two different sides of a flexible connector, display substrate film, or touchscreen film. In another embodiment, a display connector or touchscreen connector is disposed between two light input couplers of a film-based lightguide frontlight. In another embodiment, coupling lightguides of a film-based frontlight are folded and stacked in an array, aligned in registration (using pins, cavities, or alignment guides, for example) with a light source (which may be disposed on the circuit or connector for a display or touchscreen) and the film-based lightguide is subsequently laminated to the flexible connectors and/or the reflective display or touchscreen. In another embodiment, the film-based lightguide is laminated to the flexible connectors and/or the reflective display or touchscreen and subsequently the coupling lightguides of the film-based frontlight are folded and stacked in an array, and aligned in registration (using pins, cavities, or alignment guides, for example) with a light source (which may be disposed on the circuit or connector for a display or touchscreen). In a further embodiment, the lamination and registration are performed substantially simultaneously. In a further embodiment, the light extraction features are formed on (or within) the film-based lightguide subsequent to laminating (or adhering) onto the touchscreen or spatial light modulator. In this embodiment, the registration of light extraction regions (or light emitting area) of the film-based

frontlight (or backlight) with the spatial light modulator does not need to be performed before or during lamination because the features can be readily registered (such as screen printed, etched, scribed, or laser ablated) after the lamination or adhering process.

**[0521]** In another embodiment, one or more selected from the group: coupling lightguides, a light mixing region, and a lightguide region are tapered with decreasing lateral width within a region disposed between the light emitting region and the light input surface of one or more coupling lightguides. In one embodiment, the light mixing region is tapered such that a hinge or support mechanism can be used to support a display comprising the light emitting region such that the start of the hinge or support mechanism from the center of the display is before end of the width of the light emitting region in a direction parallel to or perpendicular to the width of the display. In this embodiment, by using a tapered light mixing region, the support mechanism for a display (such hinges on the sides) can be used that do not need to be positioned laterally past the light emitting region of the display. In another embodiment, the tapered light mixing region, lightguide region, or coupling lightguides allow hinges or support mechanisms for the display to be at least partially disposed laterally within the region bound by the opposite lateral edges of the light emitting region or light emitting region of the display such that the regions or coupling lightguides are not disposed directly above or below the hinge or support mechanism.

**[0522]** In one embodiment, a light emitting device comprises a display, a film-based lightguide, and light input coupler wherein the hinge or pivot region that connects the region of the device comprising the display with the remainder of the device comprises a light mixing region and the light input coupler is substantially disposed within the remainder of the device such that the region of the lightguide in the hinge or pivot region and the light emitting region disposed proximate the display are substantially the same thickness and less than one selected from the group: 200 microns, 150 microns, 100 microns, 50 microns, and 25 microns. In this embodiment, for example, a laptop comprising hinges on opposite lateral edges of a tapered light mixing region may comprise a 100 micron film extending from the laptop base and into the display module where the 100 micron film-based lightguide functions as a backlight for a transmissive display. The thin optical connection from the laptop base to the backlight (or frontlight) can be less than the width of the display and allow for hinges and a very thin display module for a laptop or other device with a display module that can be repositioned or re-oriented. In another embodiment, one or more light sources for a backlight or frontlight for a portable computer are disposed in the base of the computer and a flexible film-based lightguide extends from the base of the computer to the display module. In this embodiment, the heat generated from the light source (such as an array of white LEDs) can be efficiently removed by disposing the light source and first thermal transfer element (such as a metal core circuit board) adjacent, thermally coupled to or in the thermal path of air currents, a heat sink, or a heat pipe disposed in the base of the computer. In one embodiment, the same heat pipe, fan, or thermal transfer element used for one or more processors (such as the CPU or graphics processor) can be shared with one or more light sources providing illumination for the display.

Flexible Light Emitting Device, Backlight, or Frontlight

**[0523]** In another embodiment, a light emitting device such as a display comprises a film-based light emitting device

comprising a light source, light input coupler, and lightguide wherein the lightguide, lightguide region, or coupling lightguides can be bent or folded to radius of curvature of less than 75 times the thickness of lightguide or lightguide region and function similarly to similar lightguide or lightguide region that has not been similarly bent. In another embodiment, the lightguide, coupling lightguide, or lightguide region can be bent or folded to radius of curvature greater than 10 times the thickness lightguide or lightguide region and function similarly to similar lightguide or lightguide region that has not been similarly bent. In another embodiment, a display comprises a film-based light emitting device comprising a light source, light input coupler, and lightguide wherein the display can be bent or folded to radius of curvature of less than 75 times the thickness of display or lightguide region and function similarly to similar display that has not been similarly bent. In another embodiment, the display is capable of being bent or folded to radius of curvature greater than 10 times the thickness lightguide or lightguide region and function similarly to similar display that has not been similarly bent.

**[0524]** In one embodiment, the light emitting device or a display incorporating a light emitting device is bent into a substantially non-planar light emitting device or display incorporating a light emitting device. In one embodiment, the light emitting device or display incorporating the light emitting device has a light emitting surface area substantially in the shape of or comprising a portion of a shape of at least one selected from the group: a cylinder, sphere, pyramid, torus, cone, arcuate surface, folded surface, and bent surface. By folding the input coupler behind the light emitting region and inside a curved or bent region of the light emitting device or display, the input coupler can be effectively "hidden" from view and a substantially seamless display can be created. In another embodiment, two or more regions of a light emitting region in a light emitting device overlap each other in the thickness direction such that there is a continuous light emitting region such as in the case of a cylindrical display or a display wrapping around two or more sides of a rectangular solid.

**[0525]** In another embodiment, the backlight or frontlight is incorporated into a portable device such as a cellphone, smartphone, pda, laptop, tablet computer, pad computer (such as those from Apple Inc.), ebook, e-reader, or other computing device.

#### Keypad & Backlight

**[0526]** In another embodiment, a light emitting device provides light as a frontlight or backlight of a display and also illuminates an object. The lightguide, for example, may extend from the display region to a keypad region for a laptop or cellphone. In another embodiment, the object of illumination is one or more selected from the group: a wall or mountable object to which the display is affixed, the surface of the keys of a keyboard to be pressed, other buttons, and a second display. In another embodiment, the light emitting device provides light as a frontlight or backlight of a display and also provides external white or color illumination as an illuminating device such as a light fixture or flashlight. In another embodiment, the light emitting device provides a pattern of light emitting lines, shapes, indicia, or decorative shapes on the exterior or interior region of a device. For example, in one embodiment, the film based lightguide illuminates the side regions of a thin cellular phone such that the sides emit light

when the phone rings. In one embodiment, the film-based lightguide is physically or optically coupled to a housing material such as a transparent polycarbonate material. In another embodiment, the film-based lightguide is insert-molded, film-insert molded, or laminated onto the housing of a device.

**[0527]** In another embodiment, a light emitting device comprises one or more film-based lightguides and one or more light input couplers that provide illumination to two or more light emitting displays. For example, in one embodiment, a cellphone comprises a light input coupler comprising a first set of coupling lightguides extended from a first light emitting region disposed behind and illuminating a transmissive LCD and a second set of coupling lightguides extended from a second light emitting region illuminating a reflective display from the front.

**[0528]** In another embodiment, the film-based lightguide comprises one or more cut or separated regions such that one or more regions of the film-based lightguide may extend around, under, over, between, or through a component. For example, in one embodiment a cellular phone comprises a light source, light input coupler, and a film-based lightguide comprising a hole wherein the lens housing or the optical path for the camera can pass through the hole. In another embodiment, a transparent region of a film based lightguide is disposed between a camera and the external environment to be imaged and the haze of the lightguide is low such that the optical distortion or noise is not introduced. In another embodiment, the film-based lightguide comprises a linear cut within the lightguide region, light mixing region, or one or more coupling lightguide regions and portions of the regions separated by the cut are overlapping one above the other. In another embodiment, a light emitting device comprises a film-based lightguide comprising two lightguide regions that are substantially parallel to each other within two different substantially parallel planes. In this embodiment, the region between the two substantially parallel lightguide regions may be angled, curved, or substantially orthogonal to the parallel lightguide regions. For example, in one embodiment, a frontlight comprises a film based lightguide wherein the light emitting region disposed above the reflective element in the reflective spatial light modulator is substantially parallel to the film region on circuit board wherein the film region between the parallel regions is disposed along a flexible display connector at about 90 degrees such that the cross-section of the film-based lightguide is in the shape of a portion of a step function with two parallel regions connected by a region at about 90 degrees to both regions. In another embodiment, the cross-section of the film-based lightguide is in a “Z”, “N”, or “E” shape without the inner horizontal extended portion of the “E”. In a further embodiment, the film region between the parallel regions is curved.

#### Frontlight and Light Fixture

**[0529]** In one embodiment, the light emitting device is a frontlight and light fixture emitting light at two significantly different average luminous intensities within two non-overlapping angular ranges. For example, in one embodiment, the light emitting device is a frontlight for a display (such as a wall-mounted self-luminous picture frame) and light fixture (such as wall-mounted upright) providing high angle illumination of the ceiling that emits light such that the average luminance of the light emitting surface normal to the light emitting surface is (in the “on” state or illuminating a diffuse

white reflecting material with 70% reflectance) less than 500 Cd/m<sup>2</sup> and the average luminance of the light emitting surface at an angle selected from the range between 60 degrees and 90 degrees from the normal to the light emitting surface is greater than 2,000 Cd/m<sup>2</sup>. In another embodiment, the light emitting device is a frontlight for a display (such as a wall-mounted self-luminous picture frame) and light fixture (such as wall-mounted upright) providing high angle illumination of the ceiling that emits light such that the luminous intensity of the light emitting device normal to the light emitting surface is (in the “on” state or illuminating a diffuse white reflecting material with 70% reflectance) less than one selected from the group: 100 Candelas, 200 Candelas, 300 Candelas, 400 Candelas, and 500 Candelas and the average luminance of the light emitting surface at an angle selected from the range between 60 degrees and 90 degrees from the normal to the light emitting surface is greater than one selected from the group: 500, 750, 1000, 2000, 3000, 4000, and 500 Candelas. In another embodiment, the light emitting device comprises a light emitting surface functioning as a display with a first peak luminous intensity output within a first angular range (in the “on” mode, white mode or illuminating a white diffusely reflecting material with 70% diffuse reflectance) and the light emitting surface functions as a light fixture within a second angular range not overlapping the first angular range with a second peak luminous intensity wherein the ratio of the second luminous intensity to the first luminous intensity is greater than one selected from the group: 2, 5, 7, 10, 15, 20, 30, 40, 60, and 80. In one embodiment, one or more cladding regions comprise light extraction features on the surface opposite the film based lightguide and light from a light source is coupled into the cladding region(s) such that the light from the cladding region(s) provide illumination as light fixture and the light extracted from the core region provides backlight or frontlight illumination for a passive or active display. For example, in one embodiment, the each cladding region on both sides of a film-based lightguide is three times as thick as the core region and light from a plurality of LEDs disposed to couple light into a stack of coupling lightguides extending from the film-based lightguide couples light into the film-based lightguide such that more light is propagating within the cladding regions that reaches the light extraction features disposed on the outer surface or within one or more cladding regions than is propagating within the core region of the lightguide and reaches the light extraction features disposed on, within, or adjacent to the core region of the lightguide.

**[0530]** In another embodiment, the light emitting device operates as a display backlight or frontlight and is oriented substantially horizontally such that it displays information when looked down (or up) onto the display and the display illuminates a wall, steps or other surface disposed to receive the light. In a further embodiment, the light emitting device is a backlight for a display and light fixture. In another embodiment, the light emitting device is a backlight or frontlight for a display and emits light out of the edge of one or more regions selected from the group: the lightguide, core layer, cladding layer, and two or more cladding regions.

Lightguide is also Sound Emitting Device

**[0531]** In one embodiment, the lightguide is also a thin, flexible, diaphragm which may be vibrated by a transducer to emit sound such as disclosed in U.S. Pat. Nos. 6,720,708 and 7,453,186 and U.S. patent application Ser. No. 09/755,895. In one embodiment, the lightguide is a frontlight for lighting a

reflective display and the lightguide is also speaker which emits audio. In one embodiment, the lightguide comprises multiple layers of polymers (such as core lightguide and two cladding layers) which increase the rigidity of the lightguide film and provide improved acoustic performance. In one embodiment, the lightguide has at least one property selected from the group: high light transmittance, low haze, high clarity, and low diffuse reflectance such that the visibility of the lightguide or diaphragm is reduced.

Lightguide is also a Touchscreen

**[0532]** In one embodiment, the lightguide is also a touchscreen for detecting haptic feedback, contact, proximity, or location of user input by finger or stylus or other device. In one embodiment, the lightguide carries at least one of the illumination or light modified by the input as well as providing frontlight, backlight, audio, or other functionality. In one embodiment, the lightguide is an optical touchscreen. Optical based touchscreens are known in the art and in one embodiment, the optical based touchscreen is one disclosed in U.S. patent application Ser. Nos. 11/826,079, 12/568,931, or 12/250,108. In another embodiment, the lightguide is an optical touchscreen suitable for a night vision display or night vision display mode. In a further embodiment, the lightguide is a night vision compatible touchscreen as describe in U.S. patent application Ser. No. 11/826,23.

**[0533]** In another embodiment, the lightguide is a surface acoustic wave based touchscreen such as disclosed in U.S. Pat. Nos. 5,784,054, 6,504,530 or U.S. patent application Ser. No. 12/315,690.

#### Head-Up Display

**[0534]** In another embodiment, a head-up display comprises a film-based light emitting device comprising a light source, light input coupler, and lightguide. Head-up displays are used in automobiles, aircraft and marine craft. In one embodiment, the lightguide of a head-up display is one selected from the group: incorporated into a windshield, an integral part of a windshield, formed with light extracting features before becoming encapsulated within a windshield, formed with light extracting features after becoming encapsulated within a windshield, disposed on an inner or outer surface a windshield, an after-market HUD, a free-standing HUD suitable for placement on an automobile dashboard, formed where the lightguide comprises PVB as a core or cladding material.

#### Small or Substantially Edgeless Light Emitting Device

**[0535]** In one embodiment, a light emitting device comprises a border region between a light emitting region and the nearest edge of the lightguide in a first direction orthogonal to the direction orthogonal to the light emitting device output surface near the edge with a region dimension in the first direction less than one selected from the group: 20 millimeters, 10 millimeters, 5 millimeters, 2 millimeters, 1 millimeter, and 0.5 millimeters. The border region may be sufficiently small such that the light emitting device, backlight, frontlight, light fixture, or display incorporating the light emitting device appears to be edgeless or substantially without an edge. The light emitting device may have a small border region along, one, two, three, four or more edges. The border region may comprise a small frame, bevel, housing, or other structure or component. In a further embodiment, a light emitting device comprises a film-based lightguide wherein the light emitting

region extends around the edge of the light emitting device front surface in a first borderless region such that the light emitting device does not have a border or frame region in the first borderless region. For example, in one embodiment, a light emitting display with a substantially flat viewing surface comprises a flexible film-based lightguide wherein a first region of a light emitting region of the lightguide is folded around behind a second region of the light emitting region such that the light emitting region extends to the edge and around the edge in at least one region of the display. By combining the flexible film-based lightguide with a flexible spatial light modulator such as a flexible LCD, the display and backlight comprising a film-based lightguide can bend around a corner or edge of the display.

**[0536]** In one embodiment, a light emitting device comprises at least two arrays of coupling lightguides disposed along one edge or side of a light emitting device wherein the light within the first array of coupling lightguides is propagating substantially in a first direction and the light within the second array of coupling lightguides is propagating substantially in a second direction oriented greater than 90 degrees from the first direction. In another embodiment, two light sources are disposed along one side or side of a light emitting device with their optical axes oriented in substantially opposite directions to each other such that light is coupled into two arrays of coupling lightguides and at neither light source is disposed past the intersection of the edge or side and the adjacent edge or side of the light emitting device. In a further embodiment, one light source is disposed along one side of a light emitting device disposed to emit light in substantially opposite directions such that light is coupled into two arrays of coupling lightguides and the light source is not disposed past the intersection of the edge or side and the adjacent edge or side of the light emitting device.

**[0537]** In a further embodiment, the use of one or more light input couplers disposed to receive light from a light source from a direction oriented away from the central region of the edge or side of the light emitting device allows the adjacent side or edge to have a substantially small or edgeless border region since the light source does not extend past the neighboring edge or border.

**[0538]** In a further embodiment, at least one light input coupler is folded behind at least one of the light mixing region or light emitting region such that the distance between the edge of the light emitting region and the light emitting device (the border region) is less than one selected from the group: 20 millimeters, 10 millimeters, 5 millimeters, 2 millimeters, 1 millimeters, and 0.5 millimeters.

**[0539]** In a further embodiment, a plurality of light input couplers are folded behind at least one of the light mixing region or light emitting region such that the distance between the edge of the light emitting region and the light emitting device (the border region) along at least two sides or edges of the light emitting device is less than one selected from the group: 20 millimeters, 10 millimeters, 5 millimeters, 2 millimeters, 1 millimeters, and 0.5 millimeters.

**[0540]** In a further embodiment, a plurality of light input couplers are folded behind at least one of the light mixing region or light emitting region such that the distance between the edge of the light emitting region and the light emitting device (the border region) along all of the sides or edges of the light emitting device is less than one selected from the group: 20 millimeters, 10 millimeters, 5 millimeters, 2 millimeters, 1 millimeters, and 0.5 millimeters. In a further embodiment, the



light input surfaces and/or the coupling lightguides are substantially folded behind at least one of the light mixing region and light emitting region such that the distance between the edge of the light emitting region and the light emitting device, the border region, along at least three sides or edges of the light emitting device is less than one selected from the group: 20 millimeters, 10 millimeters, 5 millimeters, 2 millimeters, 1 millimeters, and 0.5 millimeters.

**[0541]** In another embodiment, a light emitting device comprises at least one light input coupler disposed along one edge or side with the light source disposed within the inner region defined by the region between the two adjacent edges or sides of the light emitting device. In this embodiment, the light input coupler may be a middle input coupler wherein the light source is disposed substantially in middle region of the inner region.

**[0542]** In a further embodiment, at least one portion of the array of coupling lightguides is disposed at a first coupling lightguide orientation angle to the edge of at least one of the light mixing region and light emitting region which it directs light into. In one embodiment, the first coupling lightguide orientation angle is greater than zero degrees and the border region, along at least one edge or side of the light emitting device is less than one selected from the group: 20 millimeters, 10 millimeters, 5 millimeters, 2 millimeters, 1 millimeters, and 0.5 millimeters. In another embodiment, the coupling lightguides are oriented at an angle along one side of a light emitting device such that the light source may be disposed within the inner region of the edge without requiring more than one bend or fold of the coupling lightguides

**[0543]** In a further embodiment, a first portion of the border region between the light emitting region and at least one edge or side of the light emitting device adjacent the light emitting region has a transmission greater than 80% and a haze less than 30%. In a further embodiment, a first portion of the border region between the light emitting region and at least one edge or side of the light emitting device adjacent the light emitting region has a transmission greater than 85% and a haze less than 10%. In another embodiment, the border region between the light emitting region and at least one edge or side of the light emitting device adjacent the light emitting region has a transmission greater than 85% and a haze less than 10%. In another embodiment, the border region between the light emitting region and at least three edges or sides of the light emitting device adjacent the light emitting region has a transmission greater than 85% and a haze less than 10%.

#### Luminance Uniformity of the Backlight, Frontlight, or Light Emitting Device

**[0544]** In one embodiment, a light emitting device comprises a light source, a light input coupler, and a film-based lightguide wherein the 9-spot spatial luminance uniformity of the light emitting surface of the light emitting device measured according to VESA Flat Panel Display Measurements Standard version 2.0, Jun. 1, 2001 is greater than one selected from the group: 60%, 70%, 80%, 90%, and 95%. In another embodiment, a display comprises a spatial light modulator and a light emitting device comprising a light source, a light input coupler, and a film-based lightguide wherein the 9-spot spatial luminance uniformity of the light reaching the spatial light modulator (measured by disposing a white reflectance standard surface such as Spectralon by Labsphere Inc. in the location where the spatial light modulator would be located to receive light from the lightguide and measuring the light

reflecting from the standard surface in 9-spots according to VESA Flat Panel Display Measurements Standard version 2.0, Jun. 1, 2001) is greater than one selected from the group: 60%, 70%, 80%, 90%, and 95%. In another embodiment, a display comprises a spatial light modulator and a light emitting device comprising a light source, a light input coupler, and a film-based lightguide wherein the 9-spot spatial luminance uniformity of the display measured according to VESA Flat Panel Display Measurements Standard version 2.0, Jun. 1, 2001) is greater than one selected from the group: 60%, 70%, 80%, 90%, and 95%.

#### Color Uniformity of the of the Backlight, Frontlight, or Light Emitting Device

**[0545]** In one embodiment, a light emitting device comprises a light source, a light input coupler, and a film-based lightguide wherein the 9-spot sampled spatial color non-uniformity,  $\Delta u'v'$ , of the light emitting surface of the light emitting device measured on the 1976  $u', v'$  Uniform Chromaticity Scale as described in VESA Flat Panel Display Measurements Standard version 2.0, Jun. 1, 2001 (Appendix 201, page 249) is less than one selected from the group: 0.2, 0.1, 0.05, 0.01, and 0.004 when measured using a spectrometer based spot color meter. In another embodiment, a display comprises a spatial light modulator and a light emitting device comprising a light source, a light input coupler, and a film-based lightguide wherein the 9-spot sampled spatial color non-uniformity,  $\Delta u'v'$ , of the of the light reaching the spatial light modulator (measured by disposing a white reflectance standard surface such as Spectralon in the location where the spatial light modulator would be located to receive light from the lightguide and measuring the color of the standard surface on the 1976  $u', v'$  Uniform Chromaticity Scale as described in VESA Flat Panel Display Measurements Standard version 2.0, Jun. 1, 2001 (Appendix 201, page 249) is less than one selected from the group: 0.2, 0.1, 0.05, 0.01, and 0.004 when measured using a spectrometer based spot color meter. In another embodiment, a display comprises a spatial light modulator and a light emitting device comprising a light source, a light input coupler, and a film-based lightguide wherein the 9-spot sampled spatial color non-uniformity,  $\Delta u'v'$ , of the display measured on the 1976  $u', v'$  Uniform Chromaticity Scale as described in VESA Flat Panel Display Measurements Standard version 2.0, Jun. 1, 2001 (Appendix 201, page 249) is less than one selected from the group: 0.2, 0.1, 0.05, 0.01, and 0.004 when measured using a spectrometer based spot color meter.

#### Angular Profile of Light Emitting from the Light Emitting Device

**[0546]** In one embodiment, the light emitting from at least one surface of the light emitting device has an angular full-width at half-maximum intensity (FWHM) less than one selected from the group: 120 degrees, 100 degrees, 80 degrees, 60 degrees, 40 degrees, 20 degrees and 10 degrees. In another embodiment, the light emitting from at least one surface of the light emitting device has at least one angular peak of intensity within at least one angular range selected from the group: 0-10 degrees, 20-30 degrees, 30-40 degrees, 40-50 degrees, 60-70 degrees, 70-80 degrees, 80-90 degrees, 40-60 degrees, 30-60 degrees, and 0-80 degrees from the normal to the light emitting surface. In another embodiment, the light emitting from at least one surface of the light emitting device has two peaks within one or more of the aforementioned angular ranges and the light output resembles a

“bat-wing” type profile known in the lighting industry to provide uniform illuminance over a predetermined angular range. In another embodiment, the light emitting device emits light from two opposing surfaces within one or more of the aforementioned angular ranges and the light emitting device is one selected from the group: a backlight illuminating two displays on either side of the backlight, a light fixture providing up-lighting and down-lighting, a frontlight illuminating a display and having light output on the viewing side of the frontlight that has not reflected from the modulating components of the reflective spatial light modulator with a peak angle of luminance greater than 40 degrees, 50 degrees, or 60 degrees. In another embodiment, the optical axis of the light emitting device is within an angular range selected from the group: 0-20, 20-40, 40-60, 60-80, 80-100, 100-120, 120-140, 140-160, 160-180, 35-145, 45-135, 55-125, 65-115, 75-105, and 85-95 degrees from the normal to a light emitting surface. In a further embodiment, the shape of the lightguide is substantially tubular and the light substantially propagates through the tube in a direction parallel to the longer (length) dimension of the tube and the light exits the tube wherein at least 70% of the light output flux is contained within an angular range of 35 degrees to 145 degrees from the light emitting surface. In a further embodiment, the light emitting device emits light from a first surface and a second surface opposite the first surface wherein the light flux exiting the first and second surfaces, respectively, is chosen from the group of 5-15% and 85-95%, 15-25% and 75-85%, 25-35% and 65-75%, 35-45% and 65-75%, 45-55% and 45-55%. In another embodiment, the first light emitting surface emits light in a substantially downward direction and the second light emitting surface emits light substantially in an upward direction. In another embodiment, the first light emitting surface emits light in a substantially upward direction and the second light emitting surface emits light substantially in a downward direction.

#### Optical Redundancy

**[0547]** In one embodiment, the light emitting device comprises coupling lightguides which provide a system for optical redundancy. Optical redundancy provides for the ability for the device to function at acceptable illuminance uniformity, luminance uniformity, or color uniformity levels through multiple optical paths from different light sources that overlap in at least one region. The optical redundancy may be achieved through stacking lightguides, coupling light from more than one light source into a light input coupler, or disposing light input couplers for the same lightguide film on a plurality of sides of the lightguide (such as on opposite sides of the lightguide). More than one method of achieving optical redundancy may be employed, for example, by stacking two or more lightguides that each comprise light input couplers that are each disposed to receive light from a plurality of light sources.

**[0548]** Optical redundancy may be used to increase the spatial or angular uniformity (luminance, illuminance, or color), provide a combination of angular or spatial light output profiles (low angular output from one lightguide and high angular output from a second lightguide, for example), provide increased luminance levels, provide a backup light emitting region when component failure causes light from the first lightguide to fall below specification (such as color uniformity, luminance uniformity, or luminance) in the overlapping region, increase the color gamut (combining light output from

white and red LEDs for example), or provide color mixing (combining the output from red, green, and blue LEDs for example).

**[0549]** In one embodiment, optical redundancy is used to maintain or reduce the unwanted effects of light source failure or component failure (such as LED driver or a solder joint failure). For example, two lightguides may each be coupled to a separate light input coupler with separate light sources and the lightguides may be stacked in a light output direction and each independently designed with light extraction features to provide uniform output in a light emitting region. If the LED fails in the first light input coupler, the second light input coupler may still operate and provide uniform light output. Similarly, if the color of the first LED within the first light input coupler changes due to temperature or degradation, the effects (color changes such as off-white) will be less due to the optical redundancy of a stacked system.

**[0550]** In another embodiment, the light output from two or more light sources are coupled into the light input coupler of a light emitting device comprising optical redundancy and the optical redundancy reduces the color or luminance binning requirements of the LEDs. In this embodiment, optical redundancy provides for the mixing of light from a plurality of light sources within a region (such as within the coupling lightguides) such that the color from each source is averaged spatially with each coupling lightguide receiving light from each light source and directing it into the lightguide or light mixing region.

**[0551]** In another embodiment, a light emitting device comprises at least one coupling lightguide disposed to receive light from at least two light sources wherein the light from the at least two light sources is mixed within a first region of the at least one coupling lightguide and the first region is contained within a distance from the light emitting region of the light emitting device less than one selected from the group: 100%, 70%, 50%, 40%, 30%, 20%, 10%, and 5% of the largest dimension of the light emitting device output surface or light emitting region.

**[0552]** In a further embodiment, a light emitting device comprises at least one coupling lightguide disposed to receive light from at least two light sources wherein the light from the at least two light sources is mixed over the length of the at least one coupling lightguide and the light mixing region and the combined length of the at least one coupling lightguide and the light mixing region in the direction of propagation of light exiting the coupling lightguide is greater than one selected from the group: 100%, 70%, 50%, 40%, 30%, 20%, 10%, and 5% of the largest dimension of the light emitting device output surface or light emitting region.

**[0553]** In a further embodiment, a light emitting device comprising a plurality of light sources comprises optical redundancy and the device may be dimmed by adjusting the light output of one or more LEDs while leaving the output driving pattern of one or more LEDs substantially constant. For example, a light emitting device comprising a first string of LEDs L1, L2, and L3 connected in an electrical series and optically coupling light into light input couplers LIC1, LIC2, and LIC3, respectively, and further comprising a second string of LEDs L4, L5, and L6 connected in an electrical series and optically coupling light into light input couplers LIC1, LIC2, and LIC3, respectively, can be uniformly dimmed (dimmed while maintaining spatial luminance uniformity of the light emitting surface, for example) from, for example 50% to 100% output luminance, by adjusting the

current to the second string of LEDs. Similarly, the color of the light output can be uniformly adjusted by increasing or decreasing the electrical current to the second string when the color of the light output of the second string is different than the color output of the first string. Similarly, three or more strings may be controlled independently to provide optical redundancy or uniform adjustment of the luminance or color. Three or more groups with different colors (red, green, and blue, for example) may be adjusted independently to vary the output color while providing spatial color uniformity.

#### Uniformity Maintenance

**[0554]** In one embodiment, the first color difference  $\Delta u'v'_1$  of two light sources disposed to couple light into a light input coupler is greater than the spatial color non-uniformity  $\Delta u'v'_2$  of at least one selected from the group: the 9 spot sampled color non-uniformity of the light emitting region disposed to receive light from the light input coupler, the light output surface of the light emitting device, and the light exiting the coupling lightguides.

**[0555]** In another embodiment, a light emitting device comprises a first group of light sources comprising at least one light source and a second group of light sources comprising at least one light source wherein at least one light source from the first group and at least one light source from the second group couple light into the same light input coupler and the 9-spot spatial color non-uniformity of the light emitting region or light output surface when receiving light from both the first group of light sources and the second group of light sources is less than one selected from the group: 0.2, 0.1, 0.05, 0.01, and 0.004 when measured using a spectrometer based spot color meter, and the 9-spot spatial color non-uniformity of the light emitting region or light output surface when receiving light from only the first group of light sources is less than one selected from the group: 0.2, 0.1, 0.05, 0.01, and 0.004. In another embodiment, the 9-spot spatial color non-uniformity of the light emitting region or light output surface when receiving light from both the first group of light sources and the second group of light sources is less than 0.05 and the 9-spot spatial color non-uniformity of the light emitting region or light output surface when receiving light from only the first group of light sources is less than 0.05. In a further embodiment, the 9-spot spatial color non-uniformity of the light emitting region or light output surface when receiving light from both the first group of light sources and the second group of light sources is less than 0.05 and the 9-spot spatial color non-uniformity of the light emitting region or light output surface when receiving light from only the first group of light sources is less than 0.1

**[0556]** In another embodiment, a light emitting device comprises a first group of light sources comprising at least one light source and a second group of light sources comprising at least one light source wherein at least one light source from the first group and at least one light source from the second group couple light into the same light input coupler and the 9-spot spatial luminance uniformity of the light emitting region or light output surface when receiving light from both the first group of light sources and the second group of light sources is greater than one selected from the group: 50%, 60%, 70%, 80%, and 90% and the 9-spot spatial luminance uniformity of the light emitting region or light output surface when receiving light from only the first group of light sources is greater than one selected from the group: 50%, 60%, 70%, 80%, and 90%. In another embodiment, the 9-spot

spatial luminance uniformity of the light emitting region or light output surface when receiving light from both the first group of light sources and the second group of light sources is greater than 70% and the 9-spot spatial luminance uniformity of the light emitting region or light output surface when receiving light from only the first group of light sources is greater than 70%. In a further embodiment, the 9-spot spatial luminance uniformity of the light emitting region or light output surface when receiving light from both the first group of light sources and the second group of light sources is greater than 80% and the 9-spot spatial luminance uniformity of the light emitting region or light output surface when receiving light from only the first group of light sources is greater than 70%.

#### Stacked Lightguides

**[0557]** In one embodiment, a light emitting device comprises at least one film lightguide or lightguide region disposed to receive and transmit light from a second film lightguide or lightguide region such that the light from the second lightguide improves the luminance uniformity, improves the illuminance uniformity, improves the color uniformity, increases the luminance of the light emitting region, or provides a back-up light emitting region when component failure causes light from the first lightguide to fall below specification (such as color uniformity, luminance uniformity, or luminance) in the overlapping region.

#### Plurality of Light Sources Coupling into Light Input Coupler

**[0558]** In another embodiment, a plurality of light sources are disposed to couple light into a light input coupler such that a portion of the light from the plurality of light sources is coupled into at least one coupling lightguide such that the light output is combined. By combining the light output from a plurality of light sources within the coupling lightguides, the light is "mixed" within the coupling lightguides and the output is more uniform in color, luminance, or both. For example, two white LEDs disposed adjacent a light input surface of a collection of coupling lightguides within a light input coupler can have substantially the same spatial luminance or color uniformity in the light emitting region if one of the light sources fails. In another embodiment, light sources emitting light of two different colors are disposed to couple light into the same light input coupler. The light input coupler may provide the mixing within the coupling lightguides, and furthermore, the coupling lightguides provide optical redundancy in case one light source fails. The optical redundancy can improve the color uniformity when light sources of two or more colors are coupled into the same light input coupler. For example, three white LEDs, each with different color temperatures, may be coupled into the same light input coupler and if one of the light LEDs fails, then the light output from the other two LEDs is still mixed and provides more uniformity than single LEDs with different color outputs coupled into two adjacent light input couplers. In one embodiment, a light source comprises at least one selected from the group: 3, 5, 10, 15, 20, 25, and 30 LED chips disposed in an array or arrangement to couple light into a single light input coupler. In one embodiment, a light source comprises at least one selected from the group: 3, 5, 10, 15, 20, 25 and 30 LED chips disposed in an array or arrangement to couple light into more than one light input coupler. In a further embodiment a light source disposed to couple light into a light input coupler comprises a plurality of LED chips with a light emitting surface area with a light emitting dimension less than one

selected from the group: 0.25 millimeters, 0.3 millimeters, 0.5 millimeters, 0.7 millimeters, 1 millimeter, 1.25 millimeters, 1.5 millimeters, 2 millimeters and 3 millimeters.

#### Light Input Couplers on Different Sides of the Lightguide

**[0559]** In another embodiment, a plurality of light input couplers are disposed on two or more edge regions of a lightguide wherein the optical axes of the light exiting the coupling lightguides are oriented at an angle greater than 0 degrees to each other. In a further embodiment, the light input couplers are disposed on opposite or adjacent edges or sides of the lightguide. In one embodiment, a light emitting device comprises a plurality of light input couplers disposed on two or more edge regions of a lightguide and the luminance or color uniformity of the light emitting region is substantially the same when the light output of the first light input coupler is increased or decreased relative to the light output of the second light input coupler. In one embodiment, the light extraction features are disposed within the light emitting region such that the spatial luminance uniformity is greater than 70% when receiving light from only the first light input coupler and receiving light from the first and second light input couplers. In another embodiment, the light extraction features are disposed within the light emitting region such that the 9-spot spatial color non-uniformity is less than 0.01 when receiving light from only the first light input coupler and receiving light from the first and second light input couplers.

#### Other Applications of the Light Emitting Device

**[0560]** Since the present invention enables inexpensive coupling into thin-films, there are many general illumination and backlighting applications. The first example is general home and office lighting using roll-out films on walls or ceiling. Beyond that, the film can bend to shape to non-planar shapes for general illumination. Additionally, it can be used as the backlight or frontlight in the many thin displays that have been or are being developed. For example, LCD and E-ink thin-film displays may be improved using a thin back-lighting film or thin front-lighting film; Handheld devices with flexible and scrollable displays are being developed and they need an efficient, low-cost method for getting light into the backlighting film. In one embodiment, the light emitting device comprises a light input coupler, lightguide, and light source which provide illumination for translucent objects or film such as stained glass windows or signs or displays such as point-of-purchase displays. In one embodiment, the thin film enables the light extraction features to be printed such that they overall negligibly scatter light that propagates normal to the face of the film. In this embodiment, when the film is not illuminated, objects can be seen clearly through the film without significant haze. When placed behind a transparent or partially transparent stained glass window, the overall assembly allows low-scattering transmission of light through the assembly if desired. Furthermore, the flexibility of the film allows for much greater positional tolerances and design freedom than traditional plate lightguide backlights because the film can be bent and adapted to the various stained glass window shapes, sizes and topologies. In this embodiment, when not illuminated, the stained glass appears as a regular non-illuminated stained glass window. When illuminated, the stained glass window glows.

**[0561]** Additional embodiments include light emitting devices wherein the stained glass window is strictly aesthetic and does not require viewing of objects through it (e.g. cabinet stained glass windows or art displays), and the overall see-through clarity of the backlight does not need to be achieved. In this embodiment, a diffuse or specular reflector can be placed behind the film to capture light that illuminates out of the film in the direction away from the stained glass window. Diffusing films, light redirecting films, reverse prism films, diffuser films (volumetric, surface relief or a combination thereof) may be disposed between the lightguide and the object to be illuminated. Other films may be used such as other optical films known to be suitable to be used within an LCD backlight.

**[0562]** In another embodiment, a light emitting device is used as an overlay with indicia that can be illuminated. In one embodiment, the lightguide region has a low degree of visibility in the off-state, and an in the on-state can be clearly seen as illuminated indicia. For example, the lightguide region may be printed with light scattering dots to illuminate and display indicia such as "Warning," "Exit," "Sale," "Enemy Aircraft Detected," "Open," "Closed," "Merry Christmas," etc. The lightguide region may be disposed on the viewing side of a display (such as LCD, Plasma, Projection Screen, etc.) or it may be placed on a store or home window, on a table surface, a road sign, on a vehicle or air/water/land craft exterior or window, over or inside a transparent, translucent, or opaque object, on a door, stairs, in a hallway, within a doormat, etc. The indicia may also be icons, logos, images, or other representations such as a cartoon-like drawing of Santa Claus, a brand logo such as the Nike Swoosh, a photo of a beach scene, a dithered photo of the face of a person, etc. The indicia may be full-color, monochrome, comprise mixtures of colored and monochrome regions, and may be layered or employ phosphors, dyes, inks or pigments to achieve colors.

**[0563]** By using a lightguide film which is substantially not visible in the off-state, the display, sign, or light emitting device can be employed in more places without substantially interfering with appearance of the object on which it is disposed. In another embodiment, the light emitting device provides illumination of a space wherein the region which emits light in the on-state is not readily discernable in the off-state. This, for example, can provide thin light fixtures or illumination devices that are substantially only visible in the on-state. For example, vehicle tail lights, seasonal window film displays, ceiling mounted light fixtures, lamps, closed signs, road hazard signs, danger/warning signs, etc. may be substantially invisible in the off-state. In some situations, this enables the signs to be posted and only turned on when needed and can reduce delays incurred due to the installation time required. In another embodiment, the light emitting device is a light fixture which appears to be the color of the background surface upon which it is placed upon in the off-state. In another embodiment, the light emitting area of the light fixture is substantially black or light absorbing in the off-state. Such displays are useful in submarines or other aircraft under NVIS illumination conditions.

**[0564]** The light emitting device of one embodiment can be used for backlighting or frontlighting purposes in passive displays, e.g., as a backlight or frontlight for an illuminated advertising poster, as well as for active (changing) displays such as LCD displays. Suitable displays include, but are not limited to, mobile phone displays, mobile devices, aircraft

display, watercraft displays, televisions, monitors, laptops, watches (including one where the band comprises a flexible lightguide which is capable of illumination or “lighting up” in a predetermined pattern by an LED within the watch or watch band), signs, advertising displays, window signs, transparent displays, automobile displays, electronic device displays, and other devices where LCD displays are known to be used.

**[0565]** Some applications generally require compact, low-cost white-light illumination of consistent brightness and color across the illuminated area. It is cost-effective and energy-efficient to mix the light from red, blue, and green LEDs for this purpose, but color mixing is often problematic. In one embodiment, light from red, blue, and green light sources is directed into each stack of coupling lightguides/input areas and is sufficiently mixed that it appears as white light when it exits the lightguide region of the lightguide. The light sources can be geometrically situated, and adjusted in intensity, to better provide uniform intensities and colors across the lightguide region. A similar arrangement can be attained by providing stacked sheets (more specifically stacked sheet bodies or lightguides) wherein the colors in the sheets combine to provide white light. Since some displays are provided on flexible substrates—for example, “E-ink” thin-film displays on printed pages—the sheets provide a means for allowing backlighting while maintaining the flexibility of the display’s media.

**[0566]** In some embodiments, the light emitting device is a novel LCD backlighting solution, which includes mixing multiple colors of LEDs into a single lightguide. In one embodiment, the length and geometry of the strips uniformly mixes light into the lightguide region of the film lightguide without a significant area of light mixing region located around the edge. The enhanced uniformity of the colors can be used for a static display or a color-sequential LCD and BLU system. One method for a color-sequential system is based on pulsing between red, green, and blue backlight color while synced to the LCD screen pulsing. Moreover, a layered version of red-, green- and blue-lighted films that combine to make white light is presented. A pixel-based display region can have multiple pixels that are designated to be red, green or blue. Behind it are three separate film lightguides that each have a separate color of light coupled to them. Each of the lightguides has light extraction features that match up with the corresponding color of the pixel-based display. For example red light is coupled into coupling lightguide and then into the lightguide or lightguide region and is extracted from the feature into the red pixel. The film lightguides are considerably thinner than the width of the pixels so that geometrically a high percentage of the light from a given color goes into its corresponding set of pixels. Ideally, no color filter needs to be used within the pixels, but in case there is crosstalk between pixels, they should be used.

**[0567]** It is also notable that the invention has utility when operated “in reverse”—that is, the light-emitting face(s) of a sheet could be used as a light collector, with the sheet collecting light and transmitting it through the coupling lightguides to a photosensitive element. As an example, sheets in accordance with the invention could collect incoming light and internally reflect it to direct it to a photovoltaic device for solar energy collection purposes. Such an arrangement can also be useful for environmental monitoring sensing purposes, in that the sheet can detect and collect light across a broad area, and the detector(s) at the coupling lightguides will then provide a measurement representative of the entire area.

A sheet could perform light collection of this nature in addition to light emission. For example, in lighting applications, a sheet might monitor ambient light, and then might be activated to emit light once twilight or darkness is detected. Usefully, since it is known that LEDs can also be “run in reverse”—that is, they can provide output current/voltage when exposed to light—if LEDs are used as an illumination source when a sheet is used for light emission, they can also be used as detectors when a sheet is used for light collection. In one embodiment, the lightguide captures a portion of incident light and directs it to a detector wherein the detector is designed to detect a specific wavelength (such as by including a bandpass filter, narrowband filter or a diode with a specific bandgap used in reverse). These light detection devices have the advantages of collecting a percentage of light over a large area and detecting light of a specific wavelength is directed toward the film while the film/sheet/lightguide/device remains substantially transparent. These can be useful in military operations where one is interested in detecting lasers or light sources (such as used in sighting devices, aiming devices, laser-based weapons, LIDAR or laser based ranging devices, target designation, target ranging, laser countermeasure detection, directed energy weapon detection, eye-targeted or dazzler laser detection) or infra-red illuminators (that might be used with night vision goggles).

**[0568]** In another embodiment, a light emitting device comprises a light source, light input coupler, and film-based lightguide wherein the light emitting device is one selected from the group: can light, troffer light, cove light, torch lamp, floor lamp, chandelier, surface mounted light, pendant light, sconce, track light, under-cabinet light, emergency light, wall-socket light, exit light, high bay light, low bay light, strip light, garden light, landscape light, building light, outdoor light, street light, pathway light, bollard light, yard light, accent light, background light, black light, flood light, safe-light, safety lamp, searchlight, security light, step light, strobe light, follow-spot light, or wall-washer light.

**[0569]** In another embodiment, a light emitting device comprises a light source, light input coupler, and film-based lightguide wherein the light emitting device is one selected from the group: building mounted sign, freestanding sign, interior sign, wall sign, fascia sign, awning sign, projecting sign, sign band, roof sign, parapet sign, window sign, canopy sign, pylon sign, joint tenant sign, monument sign, pole sign, high-rise pole sign, directional sign, electronic message center sign, video sign, electronic sign, billboard, electronic billboard, interior directional sign, interior directory sign, interior regulatory sign, interior mall sign, and interior point-of-purchase sign.

**[0570]** The sheets are also highly useful for use in illuminated signs, graphics, and other displays. For example, the film may be placed on walls or windows without significantly changing the wall or window appearance. However, when the sign is illuminated, the image etched into the film lightguide would become visible. The present invention could also be useful for coupling light into the films that sit in front of some grocery store freezers as insulation. Lighting applications where there is limited space, such as in the ice at hockey rinks may also require plastic film lighting. Since a sheet can be installed on a wall or window without significantly changing its appearance, with the light-emitting area(s) becoming visible when the light source(s) are activated, the invention allows displays to be located at areas where typical displays would be aesthetically unacceptable (e.g., on windows). The

sheets may also be used in situations where space considerations are paramount, e.g., when lighting is desired within the ice of skating rinks (as discussed in U.S. Pat. No. 7,237,396, which also describes other features and applications that could be utilized with the invention). The flexibility of the sheets allows them to be used in lieu of the curtains sometimes used for 15 climate containment, e.g., in the film curtains that are sometimes used at the fronts of grocery store freezers to better maintain their internal temperatures. The flexibility of the sheets also allows their use in displays that move, e.g., in light emitting flags that may move in the breeze.

#### Method of Manufacturing Light Input/Output Coupler

**[0571]** In one embodiment, the lightguide and light input or output coupler are formed from a light transmitting film by creating segments of the film corresponding to the coupling lightguides and translating and bending the segments such that a plurality of segments overlap. In a further embodiment, the input surfaces of the coupling lightguides are arranged to create a collective light input surface by translation of the coupling lightguides to create at least one bend or fold.

**[0572]** In another embodiment, a method of manufacturing a lightguide and light input coupler comprising a light transmitting film with a lightguide region continuously coupled to each coupling lightguide in an array of coupling lightguides, said array of coupling lightguides comprising a first linear fold region and a second linear fold region, comprises the steps: (a) increasing the distance between the first linear fold region and the second linear fold region of the array of coupling lightguides in a direction perpendicular to the light transmitting film surface at the first linear fold region; (b) decreasing the distance between the first linear fold region and the second linear fold region of the array of coupling lightguides in a direction substantially perpendicular to the first linear fold region and parallel to the light transmitting film surface at the first linear fold region; (c) increasing the distance between the first linear fold region and the second linear fold region of the array of coupling lightguides in a direction substantially parallel to the first linear fold region and parallel to the light transmitting film surface at the first linear fold region; decreasing the distance between the first linear fold region and the second linear fold region of the array of coupling lightguides in a direction perpendicular to the light transmitting film surface at the first linear fold region; (d) such that the coupling lightguides are bent, disposed substantially one above another, and aligned substantially parallel to each other. These steps (a), (b), (c) and (d) do not need to occur in alphabetical order and the linear fold regions may be substantially parallel.

**[0573]** In one embodiment, the method of assembly includes translating the first and second linear fold regions of the array of coupling lightguides (segments) in relative directions such that the coupling lightguides are arranged in an ordered, sequential arrangement and a plurality of coupling lightguides comprise a curved bend. The coupling lightguides can overlap and can be aligned relative to one another to create a collection of coupling lightguides. The first linear fold region of the collection of coupling may be further bent, curved, or folded, glued, clamped, cut, or otherwise modified to create a light input surface wherein the surface area is suitable to receive and transmit light from a light source into the coupling lightguides. Linear fold regions are regions of the light transmitting film that comprise a fold after the coupling lightguides are bent in at least one direction. The linear

fold regions have a width that at least comprises at least one bend of a coupling lightguide and may further include the region of the film physically, optically, or mechanically coupled to a relative position maintaining element. The linear fold regions are substantially co-planar with the surface of the film within the region and the linear fold regions have a length direction substantially larger than the width direction such that the linear fold regions have a direction of orientation in the length direction parallel to the plane of the film. In one embodiment, the array of coupling lightguides are oriented at an angle greater than 0 degrees and less than 90 degrees to the first linear fold region.

**[0574]** As used herein, the first linear fold region or the second linear fold region may be disposed near or include the input or output end of the coupling lightguides. In embodiments where the device is used to collect light, the input end may be near the light mixing region, lightguide region, or lightguide and the output end may be near the light emitting edges of the coupling lightguides such as in the case where the coupling lightguides couple light received from the lightguide or lightguide region into a light emitting surface which is disposed to direct light onto a photovoltaic cell. In the embodiments and configurations disclosed herein, the first linear fold region or second linear fold region may be transposed to create further embodiments for configurations where the direction of light propagation is substantially reversed.

**[0575]** In one embodiment, the array of coupling lightguides have a first linear folding region and a second linear folding region and the method of manufacturing the light input coupler comprises translating steps that create the overlap and bends while substantially maintaining the relative position of the coupling lightguides within the first and second linear folding regions. In one embodiment, maintaining the relative position of the coupling lightguides assists with the ordered bending and alignment and can allow the coupling lightguide folding and overlap without creating a disordered or tangled arrangement of coupling lightguides. This can significantly improve the assembly and alignment and reduce the volume required, particularly for very thin films or coupling lightguides and/or very narrow coupling light strip widths.

**[0576]** In one embodiment, the aforementioned steps for a method of manufacturing a lightguide and light input coupler comprising a light transmitting film with a lightguide region are performed such that at least at least one of steps (a) and (b) occur substantially simultaneously; steps (c) and (d) occur substantially simultaneously; and steps (c) and (d) occur following steps (a) and (b). In another embodiment, the aforementioned steps for a method of manufacturing a lightguide and light input coupler comprising a light transmitting film with a lightguide region are performed such that steps (a), (b), and (c) occur substantially simultaneously. The relative translation first linear folding region and the second linear folding region of the coupling lightguides may be achieved by holding a linear folding region stationary and translating the other linear folding region. In a further embodiment, a relative position maintaining elements disposed at the first folding region remains substantially stationary while a second relative position maintaining element at the second linear folding region is translated. The translation may occur in an arc-like pattern within one or more planes, or in directions parallel to or at an angle to the x, y, or z axis.

**[0577]** In another embodiment, the aforementioned steps are performed while substantially maintaining the relative

position of the of the array of coupling lightguides within the first linear fold region relative to each other in a direction parallel to the first linear fold region and substantially maintaining the relative position of the array of coupling lightguides within the second linear fold region relative to each other in a direction parallel to the first linear fold region.

**[0578]** In a further embodiment, the distance between the first linear fold region and second linear fold region of the array of coupling lightguides is increased by at least the distance,  $D$ , that is the total width,  $W_p$ , of the array of the coupling lightguides in a direction substantially parallel to the first linear fold region.

**[0579]** In another embodiment, the array of coupling lightguides comprises a number,  $N$ , of coupling lightguides that have substantially the same width,  $W_s$ , in a direction parallel to the first linear fold region and  $D=N \times W_s$ .

#### Relative Position Maintaining Element

**[0580]** In one embodiment, at least one relative position maintaining element substantially maintains the relative position of the coupling lightguides in the region of the first linear fold region, the second linear fold region or both the first and second linear fold regions. In one embodiment, the relative position maintaining element is disposed adjacent the first linear fold region of the array of coupling lightguides such that the combination of the relative position maintaining element with the coupling lightguide provides sufficient stability or rigidity to substantially maintain the relative position of the coupling lightguides within the first linear fold region during translational movements of the first linear fold region relative to the second linear fold region to create the overlapping collection of coupling lightguides and the bends in the coupling lightguides. The relative position maintaining element may be adhered, clamped, disposed in contact, disposed against a linear fold region or disposed between a linear fold region and a lightguide region. The relative position maintaining element may be a polymer or metal component that is adhered or held against the surface of the coupling lightguides, light mixing region, lightguide region or film at least during one of the translational steps. In one embodiment, the relative position maintaining element is a polymeric strip with planar or saw-tooth-like teeth adhered to either side of the film near the first linear fold region, second linear fold region, or both first and second linear fold regions of the coupling lightguides. By using saw-tooth-like teeth, the teeth can promote or facilitate the bends by providing angled guides. In another embodiment, the relative position maintaining element is a mechanical device with a first clamp and a second clamp that holds the coupling lightguides in relative position in a direction parallel to the clamps parallel to the first linear fold region and translates the position of the clamps relative to each other such that the first linear fold region and the second linear fold region are translated with respect to each other to create overlapping coupling lightguides and bends in the coupling lightguides. In another embodiment, the relative position maintaining element maintains the relative position of the coupling lightguides in the first linear fold region, second linear fold region, or both the first and second linear fold regions and provides a mechanism to exert force upon the end of the coupling lightguides to translate them in at least one direction.

**[0581]** In another embodiment, the relative position maintaining element comprises angular teeth or regions that redistribute the force at the time of bending at least one coupling

lightguide or maintains an even redistribution of force after at least one coupling lightguide is bent or folded. In another embodiment, the relative position maintaining element redistributes the force from bending and pulling one or more coupling lightguides from a corner point to substantially the length of an angled guide. In another embodiment, the edge of the angled guide is rounded.

**[0582]** In another embodiment, the relative position maintaining element redistributes the force from bending during the bending operation and provides the resistance to maintain the force required to maintain a low profile (short dimension in the thickness direction) of the coupling lightguides. In one embodiment, the relative position maintaining element comprises a low contact area region, material, or surface relief regions operating as a low contact area material, cover, or region wherein one or more surface relief features are in physical contact with the region of the lightguide during the folding operation and/or in use of the light emitting device. In one embodiment, the low contact area surface relief features on the relative position maintaining element reduce decoupling of light from the coupling lightguides, lightguide, light mixing region, lightguide region, or light emitting region.

**[0583]** In a further embodiment, the relative position maintaining element is also a thermal transfer element. In one embodiment, the relative position maintaining element is an aluminum component with angled guides or teeth that is thermally coupled to an LED light source.

**[0584]** In a further embodiment, the input ends and output ends of the array of coupling lightguides are each disposed in physical contact with relative position maintaining elements during the aforementioned steps (a), (b), (c) and (d).

**[0585]** In one embodiment, a relative position maintaining element disposed proximal to the first linear fold region of the array of coupling lightguides has an input cross-sectional edge in a plane parallel to the light transmitting film that is substantially linear and parallel to the first linear fold region, and a relative position maintaining element disposed proximal to the second linear fold region of the array of coupling lightguides has a cross-sectional edge in a plane parallel to the light transmitting film at the second linear fold region substantially linear and parallel to the linear fold region.

**[0586]** In another embodiment, the cross-sectional edge of the relative position maintaining element disposed proximal to the first linear fold region of the array of coupling lightguides remains substantially parallel to the cross-sectional edge of the relative position maintaining element disposed proximal to the second linear fold region of the array of coupling lightguides during steps (a), (b), (c), and (d).

**[0587]** In a further embodiment, the relative position maintaining element disposed proximal to the first linear fold region has a cross-sectional edge in a plane parallel to the light transmitting film surface disposed proximal to the first linear fold region that comprises a substantially linear section oriented at an angle greater than 10 degrees to the first linear fold region for at least one coupling lightguide. In a further embodiment, the relative position maintaining element has saw-tooth-like teeth oriented substantially at 45 degrees to a linear fold region of the coupling lightguides.

**[0588]** In one embodiment, the cross-sectional edge of the relative position maintaining element forms a guiding edge to guide the bend of at least one coupling lightguide. In another embodiment, the relative position maintaining element is

thicker than the coupling lightguide that is folded around or near the relative position maintaining element such that the relative position maintaining element (or a region such as a tooth or angular extended region) does not cut or provide a narrow region for localized stress that could cut, crack, or induce stress on the coupling lightguide. In another embodiment, the ratio of the relative position maintaining element or the component (such as an angled tooth) thickness to the average thickness of the coupling lightguide(s) in contact during or after the folding is greater than one selected from the group of 1, 1.5, 2, 3, 4, 5, 10, 15, 20, and 25. In one embodiment the relative position maintaining element (or component thereof) that is in contact with the coupling lightguide(s) during or after the folding is greater than one selected from the group: 0.05, 0.1, 0.2, 0.3, 0.5, 0.6, 0.7, 0.8, 0.9, and 1 millimeter.

**[0589]** In another embodiment, the aforementioned method further comprises the step of cutting through the overlapping coupling lightguides to provide an array of input edges of the coupling lightguides that end in substantially one plane orthogonal to the light transmitting film surface. The coupling lightguides may be formed by cutting the film in lines to form slits in the film. In another embodiment, the aforementioned method of manufacture further comprises forming an array of coupling lightguides in a light transmitting film by cutting substantially parallel lines within a light transmitting film. In one embodiment, the slits are substantially parallel and equally spaced apart. In another embodiment, the slits are not substantially parallel or have non-constant separations.

**[0590]** In another embodiment, the aforementioned method further comprises the step of holding the overlapping array of coupling lightguides in a fixed relative position by at least one selected from the group: clamping them together, restricting movement by disposing walls or a housing around one or more surfaces of the overlapping array of coupling lightguides, and adhering them together or to one or more surfaces.

**[0591]** In another embodiment, a method of manufacturing a lightguide and light input coupler comprising a light transmitting film with a lightguide region continuously coupled to each coupling lightguide in an array of coupling lightguides, said array of coupling lightguides comprising a first linear fold region and a second linear fold region substantially parallel to the first fold region, comprises the steps: (a) forming an array of coupling lightguides physically coupled to a lightguide region in a light transmitting film by physically separating at least two regions of a light transmitting film in a first direction; (b) increasing the distance between the first linear fold region and the second linear fold region of the array of coupling lightguides in a direction perpendicular to the light transmitting film surface at the first linear fold region; (c) decreasing the distance between the first linear fold region and the second linear fold region of the array of coupling lightguides in a direction substantially perpendicular to the first linear fold region and parallel to the light transmitting film surface at the first linear fold region; (d) increasing the distance between the first linear fold region and the second linear fold region of the array of coupling lightguides in a direction substantially parallel to the first linear fold region and parallel to the light transmitting film surface at the first linear fold region; and (e) decreasing the distance between the first linear fold region and the second linear fold region of the array of coupling lightguides in a direction perpendicular to the light transmitting film surface at the first linear fold

region; such that the coupling lightguides are bent, disposed substantially one above another, and aligned substantially parallel to each other.

**[0592]** In another embodiment, a method of manufacturing a lightguide and light input coupler comprising a light transmitting film with a lightguide region optically and physically coupled to each coupling lightguide in an array of coupling lightguides, said array of coupling lightguides comprising a first fold region and a second fold region, comprises the steps: (a) translating the first fold region and the second fold region away from each other in a direction substantially perpendicular to the film surface at the first fold region such that they move toward each other in a plane parallel to the film surface at the first fold region and (b) translating the first fold region and the second fold region away from each other in a direction parallel to the first fold region such that the first fold region and second fold region move toward each other in a direction substantially perpendicular to the film surface at the first fold region such that the coupling lightguides are bent and disposed substantially one above another.

#### Stress Induced Scattering

**[0593]** The bending or folding of a film-based coupling lightguide may result in stress-induced scattering in a region that caused a portion of the light within the coupling lightguide to be scattered into a direction such that it exits the lightguide near the region. The stress induced scattering may be of the type stress cracking, stress whitening, shear bands, stress crazing, or other visible material deformation resulting in a scattering region due to stress.

**[0594]** Stress induced deformations such as stress cracking, stress whitening, shear bands, and stress crazing are described in "Characterization and failure analysis of plastics," ASM International (2003).

**[0595]** Stress cracking, as used herein, is the localized failure that occurs when localized stresses produce excessive localized strain. This localized failure results in the formation of microcracks that spread rapidly throughout the local area. Brittle materials are more prone to stress cracking than stress whitening. Stress whitening is a generic term describing many different microscopic phenomena that produce a cloudy, foggy, or whitened appearance in transparent or translucent polymers in stress. The cloudy appearance is the result of a localized change in polymer refractive index or creation of an air void. Thus, transmitted light is scattered. Microvoid clusters of dimension near or greater than the wavelength of light are thought to be the primary cause of stress whitening. The microvoids can be caused by the delamination of fillers or fibers, or they can be localized failure around occlusions, such as rubber particles or other impact modifiers. Shear bands are also microscopic localized deformation zones that propagate ideally along shear planes. Like crazes, shear-deformation bands, or slip lines are traditionally thought to be the mechanism of irreversible tensile deformation in ductile amorphous polymers. Almost invariably, a compressive-stress state will cause shear deformation in polymers. Under monotonic tensile loading, polycarbonate is reported to deform by shear banding. Stress crazing is a microcrack that is spanned by plastic microfibrils, typically oriented in the direction of applied stress. The width of a craze is of the order of 1 to 2 microns, and it may grow to several millimeters in length, depending on its interaction with other heterogeneities. Being dilatational, crazes grow normal to the applied tensile component of the stress field.



**[0596]** In one embodiment, stress induced scattering in one or more coupling lightguides induced by bending or folding is be reduced by bending or folding the coupling lightguides at a higher temperature. In another embodiment, stress induced scattering in one or more coupling lightguides induced by bending or folding is be reduced after bending or folding by subjecting one more coupling lightguides or regions of coupling lightguides to a temperature higher than one selected from the group: the glass transition temperature, the ASTM D1525 Vicat softening temperature, the temperature 10 degrees less than the glass transition temperature, and the temperature equal to or higher than the melt temperature.

#### Coupling Lightguides Heated While Bending

**[0597]** In one embodiment, the coupling lightguides are bent or folded while heated to temperature above 30 degrees Celsius. In one embodiment, coupling lightguides comprising at least one material which results in stress induced scattering when bent or folded at a first temperature less than 30 degrees Celsius are heated to a temperature greater than 30 degrees Celsius and bent or folded to create bend or fold regions that are substantially free of stress induced scattering. A coupling lightguide substantially free of stress induced scattering does not scatter more than 1% of the light propagating within the coupling lightguide out of the lightguide in the bend, fold or stressed region due stress induced scattering of light out of the coupling lightguide when illuminated with light from a light input coupler. A coupling lightguide substantially free of stress induced scattering does not have a scattering regions visible by eye in the area of the bend, fold, or stressed region when the coupling lightguide is viewed in transmission by eye at 5 degrees off-axis to the light incident to the coupling lightguide normal to the surface from a halogen light source collimated to less than 20 degrees at a distance of 3.048 meters.

**[0598]** In one embodiment, the bending or folding of the coupling lightguides occurs at a temperature of at least one selected from the group: greater than room temperature, greater than 27 degrees Celsius, greater than 30 degrees Celsius, greater than 40 degrees Celsius, greater than 50 degrees Celsius, greater than 60 degrees Celsius, greater than the glass transition temperature of the core material, greater than the glass transition temperature of the cladding material, greater than the ASTM D1525 Vicat softening temperature of the core material, greater than the ASTM D1525 Vicat softening temperature of the cladding material, and greater than the ASTM D1525 Vicat softening temperature of the coupling lightguide film or film composite.

#### Coupling Lightguide with Fold Regions

**[0599]** In one embodiment, a lightguide comprises a coupling lightguide comprising fold regions defined by fold lines and a reflective edge that substantially overlap such that the collection of light input edges form a light input surface. In a further embodiment, one or more fold regions comprise a first reflective surface edge disposed to redirect a portion of light from a light source input at a light input edge of the film into an angle less than the critical such that it does not escape the coupling lightguide at the reflective edge or the lightguide region at an outer edge (such as the edge distal from the light source). In another embodiment, one or more fold regions comprise a second reflective surface edge disposed to redirect a portion of light input from a light input edge of the film into an angle such that it does not escape the coupling lightguide at the reflective edge. In a further embodiment, the first and

second reflected surface edges substantially collimate a portion of the light from the light source. In another embodiment, the first and second reflected surface edges have a parabolic shape.

**[0600]** The reflective surface edge may be an edge of the film formed through a cutting, stamping or other edge forming technique and the reflective properties may be due to total internal reflection or an applied coating (such as a reflective ink coating or sputter coated aluminum coating). The reflective surface edge may be linear, parabolic, angled, arcuate, faceted, or other shape designed to control the angular reflection of light receive from the light input edge. The first and second reflective surface edges may have different shapes or orientations to achieve desired optical functions. The reflective surface edge may serve to redirect light to angles less than the critical angle, collimate light, or redirect light flux to a specific region to improve spatial or angular luminance, color, or light output uniformity.

**[0601]** In one embodiment, the reflective edge is angled, curved, or faceted to direct by total internal reflection a first portion of the light from the light source into the lightguide region. In a further embodiment, the reflective edge comprises a reflective coating.

**[0602]** In one embodiment, the fold line is angled or curved such that the fold regions are at least one selected from the group: at an angle to each other, at an angle to one or more edges of the light input coupler, lightguide region, or light input surface, and at an angle to the optical axis of a light source wherein the angle is greater than 0 degrees and less than 180 degrees.

**[0603]** One or more regions or edges of the film-based lightguide, such as the reflective edges or the reflective surface edges may be stacked and coated. For example, more than one lightguide may be stacked to coat the reflective edges using sputter coating, vapor deposition, or other techniques. Similarly, the reflective surface edges may be folded and coated with a reflective material. Spacers, protective films or layers or materials may be used to separate the films or edges.

**[0604]** A lightguide with fold regions can reduce or eliminate the need for cutting and folding the coupling lightguides. By forming reflective surface edges such as collimating surfaces for light incident from the light source which are cut from the single film, light can be redirected such that light does not escape out of the lightguide at the angled edge (from the light sources nearest the lightguide region, for example) and the light from the light source is not coupled out of the lightguide at the opposite edge (such as light from the LEDs nearest the lightguide incident on the opposite edge of the lightguide region at an angle less than the critical angle). In a further embodiment, the shape of the first and second reflective surface edges varies from the light source nearest the lightguide region or light emitting region toward the farthest fold region from the lightguide region or light emitting region. In one embodiment, the light source farthest from the lightguide region or light emitting region has a second reflective surface edge formed by the reflective edge and the first reflective surface edge is angled to permit light from the light source to reach the lightguide region or light emitting region without reflecting from the reflective edge. In a further embodiment, the second reflective surface edges redirect light from the light source incident in a direction away from the lightguide region or light emitting region (in the unfolded layout) toward the reflective edge at an angle greater than the critical angle and the first reflective surface edges redirect

light from the light source incident in a direction toward the lightguide region or light emitting region toward the reflective edge at an angle greater than the critical angle or allow light from the light source to directly propagate toward the lightguide region or light emitting region without reflecting from the reflective edge.

**[0605]** In one embodiment, the film-based lightguide with a light input coupler comprising a coupling lightguide with fold regions is formed by folding a lightguide film along fold lines and overlapping the fold regions at a first light input edge. In one embodiment, the film-based lightguide is folded prior to cutting. By folding prior to cutting, the edges of the internal layers may have improved surface qualities when mechanically cutting, for example. In a further embodiment, the film-based lightguide is cut prior to folding. By cutting prior to folding, multiple lightguide films may be stacked together to reduce the number of cuts needed. Additionally, by cutting prior to folding, the first and second reflective surfaces may have different individual shapes and the reflective edge may be angled or curved.

**[0606]** In a further embodiment, multiple film lightguides are stacked or disposed one above another in the light input coupler region and the fold regions (or plurality of coupling lightguides) are interwoven or alternating. For example, two film-based lightguides may be stack upon each other and the fold regions may be simultaneously folded in both lightguides by a mechanical film folder (such as folding machines used in the paper industry). This can reduce the number of folding steps, and allow for multiple lightguides to be illuminated by a single light input coupler or light source. Interleaving the lightguides can also increase the uniformity since the light extraction features (location, size, depth, etc.) within each lightguide may be different and independently controlled. Additionally, multiple lightguides wherein the lightguide region or light emitting regions do not overlap or only partially overlap may be illuminated by a single light input coupler. For example, by folding two lightguides together, the display and backlit keypad in a phone, the display and backlit keyboard in a computer, or the frontlight and keypad in a portable device such as an electronic book may be illuminated by the same light source or light source package.

**[0607]** In a further embodiment, two separate light emitting regions within a single lightguide film are illuminated by a folded light input coupler (or light input coupler comprising a plurality of coupling lightguides).

**[0608]** The fold regions may be folded to a similar radius of curvature to the coupling lightguide or strips used in a light input coupler comprising a plurality of coupling lightguides. In another embodiment, the lightguide is held in two or more regions and a plurality of wires are brought toward each other wherein the wires contact the film near the fold lines in an alternating format and form the bends in the film. The input edges of the fold regions or regions of the fold regions may then be held or bonded together such that the wires can be removed and the folds remain. In one embodiment, the folds along the fold lines are not “creases” in that they do not form visible lines or creases when the film is unfolded. In another embodiment, teeth or plates moving in directions toward each other press alternating fold lines in opposite directions and create the “zig-zag”, accordion-like, or bellow-like folds in the film. A housing or fold maintaining element such as a holding device for holding a plurality of coupling lightguides may be used to hold together, house, or protect the coupling lightguide formed from a plurality of fold regions. Similarly

to the housing or holding device for a plurality of coupling lightguides, the housing may comprise an optically coupled window, refractive lenses or other features, elements or properties used in the housing, folder, or holding device for a plurality of coupling lightguides. In a further embodiment, the housing, folder, or holding device comprises alternating rigid elements on two opposing parts such that when the elements are brought together, a film disposed between the elements is folded in a bellow-like manner creating fold regions within a coupling lightguide.

#### Packaging

**[0609]** In one embodiment, a kit suitable for providing illumination comprises a light source, a light input coupler, and a lightguide.

#### Roll-Up Retractable Lightguide

**[0610]** In one embodiment, the flexible light emitting device can be rolled up into a tube of a diameter less than one selected from the group: 152.4 mm, 76.2 mm, 50.8 mm and 25.4 mm. In another embodiment, the flexible light emitting device comprises a spring or elastic-based take-up mechanism which can draw a portion of the lightguide, the light emitting region, or the lightguide region inside the housing. For example, the light emitting region of the film can be retracted into a cylindrical tube when a button on the device is pressed to provide secure, protected storage.

#### Lamination or Use with other Films

**[0611]** In one embodiment, at least one selected from the group: lightguide, light transmitting film, light emitting device housing, thermal transfer element, and component of the light emitting device is laminated to or disposed adjacent to at least one selected from the group: reflection film, prismatic film reflective polarizer, low refractive index film, pressure sensitive adhesive, air gaps, light absorbing films, anti-glare coatings, anti-reflection coatings, protective film, barrier film, and low tack adhesive film.

#### Film Production

**[0612]** In one embodiment, the film or lightguide is one selected from the group: extruded film, co-extruded film, cast film, solvent cast film, UV cast film, pressed film, injection molded film, knife coated film, spin coated film, and coated film. In one embodiment, one or two cladding layers are co-extruded on one or both sides of a lightguide region. In another embodiment, tie layers, adhesion promotion layers, materials or surface modifications are disposed on a surface of or between the cladding layer and the lightguide layer. In one embodiment, the coupling lightguides, or core regions thereof, are continuous with the lightguide region of the film as formed during the film formation process. For example, coupling lightguides formed by slicing regions of a film at spaced intervals can form coupling lightguides that are continuous with the lightguide region of the film. In another embodiment, a film-based lightguide with coupling lightguides continuous with the lightguide region can be formed by injection molding or casting a material in a mold comprising a lightguide region with coupling lightguide regions with separations between the coupling lightguides. In one embodiment, the region between the coupling lightguides and lightguide region is homogeneous and without interfacial transitions such as without limitation, air gaps, minor variations in

refractive index, discontinuities in shapes or input-output areas, and minor variations in the molecular weight or material compositions.

**[0613]** In another embodiment, at least one selected from the group: lightguide layer, light transmitting film, cladding region, adhesive region, adhesion promotion region, or scratch resistant layer is coated onto one or more surfaces of the film or lightguide. In another embodiment, the lightguide or cladding region is coated onto, extruded onto or otherwise disposed onto a carrier film. In one embodiment, the carrier film permits at least one selected from the group: easy handling, fewer static problems, the ability to use traditional paper or packaging folding equipment, surface protection (scratches, dust, creases, etc.), assisting in obtaining flat edges of the lightguide during the cutting operation, UV absorption, transportation protection, and the use of winding and film equipment with a wider range of tension and flatness or alignment adjustments. In one embodiment, the carrier film is removed before coating the film, before bending the coupling lightguide, after folding the coupling lightguides, before adding light extraction features, after adding light extraction features, before printing, after printing, before or after converting processes (further lamination, bonding, die cutting, hole punching, packaging, etc.), just before installation, after installation (when the carrier film is the outer surface), and during the removal process of the lightguide from installation. In one embodiment, one or more additional layers are laminated in segments or regions to the core region (or layers coupled to the core region) such that there are regions of the film without the one or more additional layers. For example, in one embodiment, an optical adhesive functioning as a cladding layer is optically coupled to a touchscreen substrate; and an optical adhesive is used to optically couple the touchscreen substrate to the light emitting region of film-based lightguide, thus leaving the coupling lightguides without a cladding layer for increased input coupling efficiency.

**[0614]** In another embodiment, the carrier film is slit or removed across a region of the coupling lightguides. In this embodiment, the coupling lightguides can be bent or folded to a smaller radius of curvature after the carrier film is removed from the linear fold region.

#### Separate Coupling Lightguides

**[0615]** In another embodiment, the coupling lightguides are discontinuous with the lightguide and are subsequently optically coupled to the lightguide. In one embodiment, the coupling lightguides are one selected from the group: extruded onto the lightguide, optically coupled to the lightguide using an adhesive, optically coupled to the lightguide by injection molding a light transmitting material that bonds or remains in contact with the coupling lightguides and lightguide, thermally bonded to the lightguide, solvent bonded to the lightguide, laser welded to the lightguide, sonic welded to the lightguide, chemically bonded to the lightguide, and otherwise bonded, adhered or disposed in optical contact with the lightguide. In one embodiment, the thickness of the coupling lightguides is one selected from the group: less than 80%, less than 70%, less than 50%, less than 40%, less than 20%, less than 10% of the thickness of the lightguide. In one embodiment, the coupling lightguides and lightguide region of the light emitting device are molded. This molding method may include, for example without limitation, solvent casting, injection molding, knife coating, spin coating. Examples of

materials suitable for molding include, without limitation, solvent cast acrylic and silicone. This molding method may also comprise inverted extraction features in the mold that form extraction features in the molded material. In one embodiment, the mold has a thickness variation in one or more directions, such as in the direction of propagation for example, to form a wedge or tapered lightguide to increase the extraction of light out of the film-based lightguide at the end away from the entrance side. In another embodiment, the light emitting region of a lightguide is illuminated from opposite sides and the taper is from both sides toward the middle. In a further embodiment, a film based lightguide is tapered in first number of directions from a lightguide with light incident into the light emitting region from a second number of sides, wherein the first number is equal to the second number, the first number is four, or the first number is larger than four. In another embodiment, one or more surfaces of the film based lightguide comprises one or more cross-sectional shapes selected from the group: non-linear, arcuate, step-wise, random, optically designed, quasi-random, and other shape to achieve a particular spatial or angular light output profile of the lightguide and/or device.

#### Glass Laminate

**[0616]** In another embodiment, the lightguide is disposed within or on one side of a glass laminate. In another embodiment, the lightguide is disposed within a safety glass laminate. In a further embodiment, at least one selected from the group: lightguide, cladding, or adhesive layer comprises polyvinyl butyrate.

#### Patterned Lightguides

**[0617]** In another embodiment, at least one of the lightguide or coupling lightguides is a coated region disposed on a cladding, carrier film, substrate, or other material. By using a coated pattern for the lightguide, different pathways for the light can be achieved for light directed into the coupling lightguides or lightguide. In one embodiment, the lightguide region comprises lightguide regions which direct light to separate light emitting regions wherein the neighboring lightguide regions with light extracting features emit light of a different color. In another embodiment, a lightguide pattern is disposed on a cladding layer, carrier film, or other layer which comprises regions disposed to emit light of two or more colors from two or more light sources coupled into input couplers with coupling lightguides disposed to direct light from the light source to the corresponding patterned (or trace) lightguide. For example, a red LED may be disposed to couple light into a light input coupler with coupling lightguides (which may be film-based or coating based or the same material used for the pattern lightguide coating) to a lightguide pattern wherein the light extraction features emit light in a pattern to provide color in a pixilated color display. In one embodiment, the lightguide pattern or the light extracting region patterns within the lightguide pattern comprises one or more selected from the group: curved sections, bend straight sections, shapes, and other regular and irregular patterns. The coupling lightguides may be comprised of the same material as the patterned lightguides or they may be a different material.

#### Light Extraction Features

**[0618]** In one embodiment, the light extraction features are disposed on or within a film, lightguide region or cladding

region by embossing or employing a “knurl roll” to imprint surface features on a surface. In another embodiment, the light extraction features are created by radiation (such as UV exposure) curing a polymer while it is in contact with a drum, roll, mold or other surface with surface features disposed thereon. In another embodiment, light extraction features are formed in regions where the cladding or low refractive index material or other material on or within the lightguide is removed or formed as a gap. In another embodiment, the lightguide region comprises a light reflecting region wherein light extraction features are formed where the light reflecting region is removed. Light extraction may comprise or be modified (such as the percent of light reaching the region that is extracted or direction profile of the extracted light) by adding scattering, diffusion, or other surface or volumetric prismatic, refracting, diffracting, reflecting, or scattering elements within or adjacent the light extraction features or regions where the cladding or other layer has been removed.

**[0619]** In one embodiment, the light extraction features are volumetric light redirecting features that refract, diffract, scatter, reflect, totally internally reflect, diffuse or otherwise redirect light. The volumetric features may be disposed within the lightguide, lightguide region, core, cladding, or other layer or region during the production of the layer or region or the features may be disposed on a surface whereupon another surface or layer is subsequently disposed.

**[0620]** In one embodiment, the light extraction features comprise an ink or material within a binder comprising least one selected from the group: titanium dioxide, barium sulfate, metal oxides, microspheres or other non-spherical particles comprising polymers (such as PMMA, polystyrene), rubber, or other inorganic materials. In one embodiment, the ink or material is deposited by one selected from the group: thermal inkjet printing, piezoelectric inkjet printing, continuous inkjet printing, screen printing (solvent or UV), laser printing, sublimation printing, dye-sublimation printing, UV printing, toner-based printing, LED toner printing, solid ink printing, thermal transfer printing, impact printing, offset printing, rotogravure printing, photogravure printing, offset printing, flexographic printing, hot wax dye transfer printing, pad printing, relief printing, letterpress printing, xerography, solid ink printing, foil imaging, foil stamping, hot metal typesetting, in-mold decoration, and in-mold labeling.

**[0621]** In another embodiment, the light extraction features are formed by removing or altering the surface by one selected from the group: mechanical scribing, laser scribing, laser ablation, surface scratching, stamping, hot stamping, sandblasting, radiation exposure, ion bombardment, solvent exposure, material deposition, etching, solvent etching, plasma etching, and chemical etching.

**[0622]** In a further embodiment, the light extraction features are formed by adding material to a surface or region by one selected from the group: UV casting, solvent casting with a mold, injection molding, thermoforming, vacuum forming, vacuum thermoforming, and laminating or otherwise bonding, and coupling a film or region comprising surface relief or volumetric features.

**[0623]** In one embodiment, at least one selected from the group: mask, tool, screen, patterned film or component, photo resist, capillary film, stencil, and other patterned material or element is used to facilitate the transfer of the light extraction feature to the lightguide, film, lightguide region, cladding region or a layer or region disposed on or within the lightguide.

**[0624]** In another embodiment, more than one light extraction layer or region comprising light extraction features is used and the light extraction layer or region may be located on one surface, two surfaces, within the volume, within multiple regions of the volume, or a combination of the aforementioned locations within the film, lightguide, lightguide region, cladding, or a layer or region disposed on or within the lightguide.

**[0625]** In another embodiment, surface or volumetric light extraction features are disposed on or within the lightguide or cladding or a region or surface thereon or between that direct at least one selected from the group: 20%, 40%, 60%, and 80% of light incident from within the lightguide to angles within 30 degrees from the normal to the light emitting surface of the light emitting device or within 30 degrees from the normal of a reflecting surface such as a reflective spatial light modulator.

#### Folding and Assembly

**[0626]** In one embodiment, the coupling lightguides are heated to soften the lightguides during the folding or bending step. In another embodiment, the coupling lightguides are folded while they are at a temperature above one selected from the group: 50 degrees Celsius, 70 degrees Celsius, 100 degrees Celsius, 150 degrees Celsius, 200 degrees Celsius, and 250 degrees Celsius.

#### Folder

**[0627]** In one embodiment, the coupling lightguides are folded or bent using opposing folding mechanisms. In another embodiment, grooves, guides, pins, or other counterparts facilitate the bringing together opposing folding mechanisms such that the folds or bends in the coupling lightguides are correctly folded. In another embodiment, registration guides, grooves, pins or other counterparts are disposed on the folder to hold in place or guide one or more coupling lightguides or the lightguide during the folding step. In one embodiment, at least one of the lightguide or coupling lightguides comprises a hole and the holder comprises a registration pin and when the pin is positioned through the hole before and during the folding step, the lightguide or coupling lightguide position relative to the holder is fixed in at least one direction. Examples of folding coupling lightguides or strips for lightguides are disclosed in International Patent Application number PCT/US08/79041 titled “LIGHT COUPLING INTO ILLUMINATED FILMS”, the contents of which are incorporated by reference herein.

**[0628]** In one embodiment, the folding mechanism has an opening disposed to receive a strip that is not to be folded in the folding step. In one embodiment, this strip is used to pull the coupling lightguides into a folded position, pull two components of the folding mechanism together, align the folding mechanism components together, or tighten the folding such that the radius of curvature of the coupling lightguides is reduced.

**[0629]** In one embodiment, at least one selected from the group: folding mechanism, relative position maintaining element, holder, or housing is formed from one selected from the group: sheet metal, foil, film, rigid rubber, polymer material, metal material, composite material, and a combination of the aforementioned materials.

#### Holder

**[0630]** In one embodiment, a light emitting device comprises a folding mechanism which substantially maintains the

relative position of the coupling lightguides subsequent to the folding operation. In another embodiment, the folder or housing comprises a cover that is disposed over (such as slides over, folds over, hinges over, clips over, snaps over, etc.) the coupling lightguides and provides substantial containment of the coupling lightguides. In a further embodiment, the folding mechanism is removed after the coupling lightguides have been folded and the holding mechanism is disposed to hold the relative position of the coupling lightguides. In one embodiment, the holding mechanism is a tube with a circular, rectangular, or other geometric shape cross-sectional profile which slides over the coupling lightguides and further comprises a slit where the coupling lightguides, light mixing region, or lightguide exits the tube. In one embodiment, the tube is one selected from the group: transparent, black, has inner walls with a diffuse luminous reflectance greater than 70%, and has a gloss less than 50 in a region disposed proximate a coupling lightguide such that the surface area of the inner tube in contact with the coupling lightguide remains small.

**[0631]** In a further embodiment, a method of manufacturing a light input coupler and lightguide comprises at least one step selected from the group: holding the coupling lightguide, holding the lightguide, cutting the regions in the film corresponding to the coupling lightguides, and folding or bending the coupling lightguides wherein the relative position maintaining element holds the lightguide or coupling lightguide during the cutting and the folding or bending step. In another embodiment, a method of manufacturing a light input coupler and lightguide comprises cutting the coupling lightguides in a film followed by folding or bending the coupling lightguides wherein the same component holding the coupling lightguides or lightguide in place during the cutting also holds the coupling lightguide or lightguide in place during the folding or bending.

**[0632]** In another embodiment, the relative position of at least one region of the coupling lightguides are substantially maintained by one or more selected from the group: wrapping a band, wire, string, fiber, line, strap, wrap or similar tie material around the coupling lightguides or a portion of the coupling lightguides, disposing a housing tube, case, wall or plurality of walls or components around a portion of the coupling lightguides, wrapping a heat-shrinking material around the coupling lightguides and applying heat, bonding the coupling lightguides using adhesives, thermal bonding or other adhesive or bonding techniques in one or more regions of the coupling lightguides (such as near the input end, for example), clamping the lightguides, disposing a low refractive index epoxy, adhesive, or material around, or between one or more regions of the coupling lightguides, pressing together coupling lightguides comprising a pressure sensitive adhesive (or UV cured or thermal adhesive) on one or both sides. In one embodiment, the coupling lightguide region of a film comprises a pressure sensitive adhesive wherein after the coupling lightguides are cut into the film with the adhesive, the coupling lightguides are folded on top of one another and pressed together such that the pressure sensitive adhesive holds them in place. In this embodiment, the pressure sensitive adhesive can have a lower refractive index than the film, and operate as cladding layer.

**[0633]** In another embodiment, the folder and/or holder has a plurality of surfaces disposed to direct, align, bring the coupling lightguides together, direct the coupling lightguides to become parallel, or direct the input surfaces of the coupling

lightguides toward a light input surface disposed to receive light from an LED when the coupling lightguides are translated in the folder or holder. In one embodiment, the coupling lightguides are guided into a cavity that aligns the coupling lightguides parallel to each other and disposes the input edges of the coupling lightguides near an input window. In one embodiment, the window is open, comprises a flat outer surface, or comprises an optical outer surface suitable for receiving light from a light source. In another embodiment, the folder and/or holder comprises a low contact area surface comprising surface relief features disposed between the folder and/or holder and the lightguide.

#### Hold-Down Mechanism

**[0634]** In one embodiment, at least one coupling lightguide comprises at least one hook region disposed near the input surface end of the coupling lightguide. The hook region allows a guide, alignment mechanism, or pull-down mechanism to maintain at least one selected from the group: the relative position of the ends or regions near the ends of the coupling lightguides, the relative separations of the coupling lightguides to each other in the thickness direction of the coupling lightguide, the positions of the coupling lightguides relative to the lightguide in the thickness direction of the lightguide, and the positions of the end regions or the ends of the coupling lightguides in one or more directions in a plane substantially parallel to the lightguide. In one embodiment, the hook region comprises at least selected from the group: a flange, a barb, a protrusion, a hole, or an aperture region in the coupling lightguide. In one embodiment, the lightguide or a means for manufacturing a film-based lightguide comprises a hold down mechanism comprising two hook regions comprising flanges on either side of at least one coupling lightguide wherein the flanges permit a strap, wire or other film or object to be positioned against the hook region such that the strap, strip, wire or other film or object substantially maintains the relative position of the ends of the coupling lightguide in at least one direction. In another embodiment, the hold down mechanism comprises a physical restraining mechanism for holding or maintaining the hold down mechanism or the hook region in at least one direction relative to a temporary or permanent base or other component such as holder, relative position maintaining element, housing, thermal transfer element, guide, or tension forming element. In another embodiment, the lightguide or a means for manufacturing a film-based lightguide comprises a hold down mechanism comprising a hook region comprising two holes on either side of the coupling lightguides or near the input end of the coupling lightguides, and the coupling lightguides may be stacked on top of each other and on top of a base element comprising two pins that align with the holes. The pins and holes register the ends of the coupling lightguides and substantially maintain their relative positions near the input end of the coupling lightguides. In another embodiment, one or more coupling lightguides comprise a hook region that can be removed after the hold-down mechanism forces the coupling lightguides together. In another embodiment, the hook region may be removed along with a portion of the end of the coupling lightguides. In one embodiment, the hook regions and the ends of the coupling lightguides are cut, peeled or torn off after the coupling lightguides have been strapped or physically coupled to a base or other element. After the hook regions and the coupling lightguides are cut from the remainder of the coupling lightguides, the new ends of the coupling

lightguides may form an input surface or a surface suitable to optically couple to one or more optical elements such as windows or secondary optics.

**[0635]** In another embodiment, one or more coupling lightguide comprise a removable hook region comprising an aperture cut from the lightguide that forms the light input surface for the coupling lightguide after removing the hook region. For example, in one embodiment, an array of coupling lightguides are cut into a film wherein the end region of the coupling lightguide near the input edge comprises shoulder-like flanges that extend past the average width of the coupling lightguides and further comprises an aperture cut that extends more than 20% of the width of the coupling lightguides. In this embodiment, the lateral edges of the coupling lightguides and aperture cut can be cut during the same process step and they can both comprises high quality surface edges. When the edge region is removed from the ends of the coupling lightguides using the aperture cut as a separation guide after stacking and aligning using the shoulder-like flanges, the stack of coupling lightguides have a light input surface formed from the collection of edges formed by the aperture cut. Similarly, pin and hole type hook regions may be used and in one embodiment, the hook region does not extend past the width of the coupling lightguides. For example, holes near the width ends of the coupling lightguides may be used as hook regions.

**[0636]** In another embodiment, one or more coupling lightguides is physically coupled to a hold down mechanism and the hold down mechanism is translated in a first direction substantially parallel to the axis of the coupling lightguides such that the coupling lightguides move closer together, closer to the lightguide, or closer to the base. For example, in one embodiment, the end region of the coupling lightguides comprises holes that are aligned onto a pin under low tension. After the coupling lightguides are aligned onto the pins, the pins and the base supporting the pins is translated in a direction away from the coupling lightguides such that the coupling lightguide pull closer toward each other and the base. **Converting or Secondary Operations on the film or Light Input Coupler**

**[0637]** In one embodiment, at least one selected from the group: coupling lightguides, lightguide, light transmitting film, lightguide region, light emitting region, housing, folder, and holder component is stamped, cut, thermoformed, or painted. In one embodiment, the cutting of the component is performed by one selected from the group: knife, scalpel, heated scalpel, die cutter, water jet cutter, saw, hot wire saw, laser cutter, or other blade or sharp edge. One or more components may be stacked before the cutting operation.

**[0638]** In one embodiment, the component is thermoformed (under a vacuum, ambient pressure, or at another pressure) to create a curved or bent region. In one embodiment, the film is thermoformed into a curve and the coupling lightguide strips are subsequently cut from the curved film and folded in a light input coupler.

**[0639]** In one embodiment, at least one edge selected from the group: coupling lightguide, lightguide, light transmitting film, collection of coupling lightguides, or edge of other layer or material within the light emitting device is modified to become more planar (closer to optically flat), roughened, or formed with a predetermined structure to redirect light at the surface (such as forming Fresnel refracting features on edges of the input coupling lightguides in a region of the collection of coupling lightguides to direct light into the coupling lightguides in a direction closer to a direction parallel to the plane

of the coupling lightguides at the input surface (for example, forming a Fresnel collimating lens on the surface of the collection of coupling lightguides disposed near an LED). In one embodiment, the edge modification substantially polishes the edge by laser cutting the edge, mechanically polishing the edge, thermally polishing (surface melting, flame polishing, embossing with a flat surface), chemically polishing (caustics, solvents, methylene chloride vapor polishing, etc.).

#### Reflective Coating or Element

**[0640]** In one embodiment, at least one region of at least one edge selected from the group: a coupling lightguide, film, and lightguide comprises a substantially specularly reflecting coating or element optically coupled to the region or disposed proximal to the edge. In one embodiment, the substantially specularly reflecting element or coating can redirect light a portion of the light exiting the coupling lightguide, lightguide, or film edge back into the coupling lightguide, lightguide or film at an angle that will propagate by TIR within the lightguide. In one embodiment, the specularly reflective coating is a dispersion of light reflecting material disposed in an ink or other binder selected from the group: dispersions of aluminum, silver, coated flakes, core-shell particles, glass particles, and silica particles. In another embodiment, the dispersion comprises particle sizes selected from one of the group of less than 100 microns in average size, less than 50 microns in average size, less than 10 microns in average size, less than 5 microns in average size, less than 1 micron in average size, less than 500 nm in average size. In another embodiment, the dispersion comprises substantially planar flakes with an average dimension in a direction parallel to the flake surface selected from one of the group of less than 100 microns in average size, less than 50 microns in average size, less than 10 microns in average size, less than 5 microns in average size, less than 1 micron in average size, less than 500 nm in average size. In another embodiment, the coupling lightguides are folded and stacked and a light reflecting coating is applied in regions on the edges of the lightguide. In another embodiment, the light reflecting coating is applied to the tapered region of the collection of coupling lightguides. In a further embodiment, the blade that cuts through the film, coupling lightguide, or lightguide passes through the film during the cutting operation and makes contact with a well comprising reflective ink; and the ink is applied to the edge when the blade passes back by the edge of the film. In another embodiment, a multilayer reflection film, such as a specularly reflecting multilayer polymer film is disposed adjacent to or in optical contact with the coupling lightguides in a region covering at least the region near the edges of the coupling lightguides, and the specularly reflecting multilayer polymer film is formed into substantially a 90 bend forming a reflected side to the coupling lightguide. The bending or folding of the reflective film may be achieved during the cutting of the lightguide, coupling lightguides, or tapered region of the coupling lightguides. In this embodiment, the reflective film may be adhered or otherwise physically coupled to the film, coupling lightguide, collection of coupling lightguides, or lightguide and the fold creates a flat reflective surface near the edge to reflect light back into the lightguide, film, coupling lightguide or collection of coupling lightguides. The folding of the reflective film may be accomplished by bending, pressure applied to the film, pressing the lightguide such that a wall or edge bends the reflective film. The reflective film may be disposed such that it extends past the edge prior to the fold.

The folding of the reflective film may be performed on multiple stacked edges substantially simultaneously.

[0641] The following are more detailed descriptions of various embodiments illustrated in the Figures.

[0642] FIG. 1 is a top view of one embodiment of a light emitting device 100 comprising a light input coupler 101 disposed on one side of a film-based lightguide. The light input coupler 101 comprises an array of coupling lightguides 104 and a light source 102 disposed to direct light into the coupling lightguides 104 through a light input surface 103 comprising one or more input edges of the coupling lightguides 104. In one embodiment, each coupling lightguide 104 terminates at a bounding edge. Each coupling lightguide 104 is folded such that the bounding edges of the coupling lightguides are stacked to form the light input surface 103. The light emitting device 100 further comprises a lightguide region 106 comprising a light mixing region 105, a lightguide 107, and a light emitting region 108. Light from the light source 102 exits the light input coupler 101 and enters the lightguide region 106 of the film. In one embodiment, the light source 102 is configured to emit light into the light input surface 103, such that the light propagates within each coupling lightguide 104 to the lightguide region 106, with light from each coupling lightguide 104 combining with light from one or more other coupling lightguides 104 of the array of coupling lightguides 104 and totally internally reflecting within the lightguide region 106. This light spatially mixes with light from different coupling lightguides 104 within the light mixing region 105 as it propagates through the lightguide 107. In one embodiment, light is emitted from the lightguide 107 in the light emitting region 108 due to light extraction features (not shown).

[0643] FIG. 2 is a perspective view of one embodiment of a light input coupler 200 with coupling lightguides 104 folded in the  $-y$  direction. Light from the light source 102 is directed into the light input surface 103 comprising input edges 204 of the coupling lightguides 104. A portion of the light from the light source 102 propagating within the coupling lightguides 104 with a directional component in the  $+y$  direction will reflect in the  $+x$  and  $-x$  directions from the lateral edges 203 of the coupling lightguides 104 and will reflect in the  $+z$  and  $-z$  directions from the top and bottom surfaces of the coupling lightguides 104. The light propagating within the coupling lightguides is redirected by the folds 201 in the coupling lightguides 104 toward the  $-x$  direction.

[0644] FIG. 3 is a top view of one embodiment of a light emitting device 300 with three light input couplers 101 on one side of the lightguide region 106 comprising the light mixing region 105, a lightguide 107, and the light emitting region 108.

[0645] FIG. 4 is a top view of one embodiment of a light emitting device 400 with two light input couplers 101 disposed on opposite sides of the lightguide 107. In certain embodiments, one or more input couplers 101 may be positioned along one or more corresponding sides of the lightguide 107.

[0646] FIG. 5 is a top view of one embodiment of a light emitting device 500 with two light input couplers 101 disposed on the same side of the lightguide region 106. The light sources 102 are oriented substantially with the light directed toward each other in the  $+y$  and  $-y$  directions.

[0647] FIG. 6 is a cross-sectional side view of one embodiment of a light emitting device 600 defining a region 604 near a substantially planar light input surface 603 comprised of

planar edges of coupling lightguides 104 disposed to receive light from a light source 102. The coupling lightguides comprise core regions 601 and cladding regions 602. A portion of the light from the light source 102 input into the core region 601 of the coupling lightguides 104 will totally internally reflect from the interface between the core region 601 and the cladding region 602 of the coupling lightguides 104. In the embodiment shown in FIG. 6, a single cladding region 602 is positioned between adjacent core regions 601. In another embodiment, two or more cladding regions 602 are positioned between adjacent core regions 601.

[0648] FIG. 7 is a cross-sectional side view of one embodiment of a light emitting device 700 defining a region 704 near a light input surface of the light input coupler 101 having one or more planar surface features 701 substantially parallel to stack direction ( $z$  direction as shown in FIG. 7) of the coupling lightguides 104, one or more refractive surface features 702, and one or more planar input surfaces 703 and a bevel formed on an opposite surface of the coupling lightguide 104 that totally internally reflects a portion of incident light into the coupling lightguide 104 similar to a hybrid refractive-TIR Fresnel lens.

[0649] FIG. 8 is a cross-sectional side view of one embodiment of a light emitting device 800 defining a region 802 near a light input surface of the light emitting device 800. The coupling lightguides 104 are optically coupled to the light source 102 by an optical adhesive 801 or other suitable coupler or coupling material. In this embodiment, less light from the light source 102 is lost due to reflection (and absorption at the light source or in another region) and the positional alignment of the light source 102 relative to the coupling lightguides 104 is easily maintained.

[0650] FIG. 9 is a cross-sectional side view of one embodiment of a light emitting device 900 defining a region 903 near a light input surface of the light emitting device 900. In this embodiment, the coupling lightguides 104 are held in place by a sleeve 901 with an outer coupling surface 902 and the edge surfaces of the coupling lightguides 104 are effectively planarized by an optical adhesive 801 between the ends of the coupling lightguides and the sleeve 901 with the outer surface 902 adjacent the light source 102. In this embodiment, the surface finish of the cutting of the coupling lightguides is less critical because the outer surface 902 of the sleeve 901 is optically coupled to the edges using an optical adhesive 801 which reduces the refraction (and scattering loss) that could otherwise occur at the air-input edge interface of the input edge due to imperfect cutting of the edges. In another embodiment, an optical gel, a fluid or a non-adhesive optical material may be used instead of the optical adhesive to effectively planarize the interface at the edges of the coupling lightguides. In certain embodiments, the difference in the refractive index between the optical adhesive, the optical gel, the fluid, or the non-adhesive optical material and the core region of the coupling lightguides is less than one selected from group of 0.6, 0.5, 0.4, 0.3, 0.2, 0.1, 0.05, and 0.01. In one embodiment, the outer surface 902 of the sleeve 901 is substantially flat and planar.

[0651] FIG. 10 is a top view of one embodiment of a light emitting backlight 1000 configured to emit red, green, and blue light. The light emitting backlight 1000 includes a red light input coupler 1001, a green light input coupler 1002, and a blue light input coupler 1003 disposed to receive light from a red light source 1004, a green light source 1005, and a blue light source 1006, respectively. Light from each of the light

input couplers **1001**, **1002**, and **1003** is emitted from the light emitting region **108** due to the light extraction features **1007** which redirect a portion of the light to angles closer to the surface normal within the lightguide region **106** such that the light does not remain within the lightguide **107** and exits the light emitting device **1000** in a light emitting region **108**. The pattern of the light extraction features **1007** may vary in one or more of size, space, spacing, pitch, shape, and location within the x-y plane or throughout the thickness of the lightguide in the z direction.

[**0652**] FIG. **11** is a cross-sectional side view of one embodiment of a light emitting device **1100** comprising the light input coupler **101** and the lightguide **107** with a reflective optical element **1101** disposed adjacent a the cladding region **602** and a light source **1102** with an optical axis in the +y direction disposed to direct light into the coupling lightguides **104**. Light from the light source **1102** propagates through the coupling lightguides **104** within the light input coupler **101** and through the light mixing region **105** and the light output region **108** within the lightguide region **106**. Referring to FIG. **11**, a first portion of light **1104** reaching the light extraction features **1007** is redirected toward the reflecting optical element **1101** at an angle less than the critical angle such that it can escape the lightguide **107**, reflect from the reflective optical element **1101**, pass back through the lightguide **107**, and exit the lightguide **107** through the light emitting surface **1103** of the light emitting region **108**. A second portion of light **1105** reaching the light extraction features **1007** is redirected toward the light emitting surface **1103** at an angle less than the critical angle, escapes the lightguide **107**, and exits the lightguide **107** through the light emitting surface **1103** of the light emitting region **108**.

[**0653**] FIG. **12** is a cross-sectional side view of one embodiment of a light emitting display **1200** illuminated by a red lightguide **1201**, a green lightguide **1202**, and a blue lightguide **1203**. The locations of the pixels of the display panel **1204** with corresponding red pixels **12010**, green pixels **1209**, and blue pixels **1208** correspond to light emitting regions of the lightguide separated by color. In this embodiment, the light extracting features **1205** within the red lightguide **1201** substantially correspond in the x-y plane to the red pixels **1210** of the display panel **1204** driven to display red information. Similarly, the green light extracting features **1206** within the green lightguide **1202** and the blue light extracting features **1207** within the blue lightguide **1203** substantially correspond in the x-y plane to the green pixels **1209** and the blue pixels **1208**, respectively, of the display panel **1204** driven to display corresponding green and blue information. In another embodiment, the display panel **1204** is a spatial light modulator such as a liquid crystal panel, electrophoretic display, MEMS-based display, ferroelectric liquid crystal panel, or other spatial light modulating device such as known in the display industry. In another embodiment, the display panel **1204** further comprises color filters within the pixel regions to further reduce crosstalk from lightguide illumination reaching the pixel from neighboring light extracting features. In another embodiment, the lightguides are optically coupled to each other and the reflecting optical element is a specularly reflecting optical element. In a further embodiment, the liquid crystal panel is a transparent LCD (such as a vertical alignment type from Samsung Electronics with a transparent cathode) and there is no reflecting optical element on the opposite side of the lightguides than the display panel. In this embodiment, the display and backlight are substan-

tially transparent and “see-through” with an ASTM D1003 total luminous transmittance greater than one selected from the group: 20%, 30%, 40%, and 50%.

[**0654**] FIG. **13** is a cross-sectional side view of one embodiment of a color sequential display **1300** comprising a color sequential display panel **1301** and a red, green, and blue color sequential light emitting backlight **1302** comprising a film-based lightguide. In this embodiment, red, green, and blue light from red, green and blue light sources (not shown in FIG. **13**) is coupled into the lightguide through one or more light input couplers (not shown in FIG. **13**). The light sources are driven in a color sequential mode and the pixel regions of the display panel **1301** are switched accordingly to display the desired color information. In one embodiment, the display panel **1301** is a spatial light modulator without color filters.

[**0655**] FIG. **14** is a cross-sectional side view of one embodiment of a spatial display **1400** comprising a spatial light modulator **1401** and a film-based backlight **1402** emitting light from light sources of different colors (not shown in FIG. **14**). A first low contact area cover **1403** comprising first surface relief features **1404** is positioned adjacent the lightguide **107** on the side of the lightguide **107** opposite the spatial light modulator **1401** and a second low contact area cover **1405** comprising second surface relief features **1406** is positioned on the same side of the lightguide as the spatial light modulator. In one embodiment, one or more of the first surface relief features **1404** and/or the second surface relief features **1406** is in physical contact with the lightguide **107**. As shown in FIG. **14**, the first low contact area cover **1403** is also a light reflecting optical element with a diffuse reflectance greater than 70% (measured with the first low contact area cover **1403** outside of the spatial display **1400** on the side with the surface relief features **1404**). Light **1408** propagates in the lightguide **107**, is coupled out of the lightguide **107** by a light extraction feature **1007** toward the first low contact area cover **1403**, reflects from the first low contact area cover **1403**, propagates through the lightguide **107**, propagates through the second low contact area cover **1405**, and propagates through the spatial display **1400** (where it may be modulated). Light **1409** propagates in the lightguide **107**, reflects off the light extraction feature **1007** and is extracted from the lightguide **107**. The light **1409** then propagates through the second low contact area cover **1405**, and through the spatial display **1400**. As shown in FIG. **14**, the first low contact area cover **1403** and the second low contact area cover **1405** are in physical contact with the lightguide **107** and the first surface relief features **1404** and second surface relief features **1406** permit contact with the lightguide **107** that enables packaging, enables the ability to restrain the film-based lightguide **107** such that it doesn’t move or wrinkle, enables flat films (there are no gaps for them wrinkle or bend), and enables a compact, low volume backlight **1402** without the first low contact area cover **1403** significantly coupling light from the lightguide **107**. In FIG. **14** the first low contact cover **1403** is physically coupled to a rigid support **1407** with a flexural modulus greater than 2 gigapascals when measured according to ASTM D790. In one embodiment, physically coupling the first low contact area cover **1403** to a rigid support **1407** prevents the first low contact area from sliding, forming a wrinkle or bend, and/or helps to maintain pressure against the lightguide **107** and/or spatial light modulator **1401** for enclosing, packaging, slip prevention and to maintain flatness. In one embodiment, the first low contact area cover **1403** is a white reflectance film with surface relief features **1404** and is



laminated to a rigid support **1407** functioning as a housing component (such as an aluminum housing) for the display **1400**. In one embodiment, the spatial light modulator **1401** is a liquid crystal display. In another embodiment, the film-based backlight **1402** emits light from one selected from the group: red, green, and blue; white and red; red, green, blue, and yellow; red, green, blue, yellow, and cyan; and cyan, yellow, and magenta.

[0656] FIG. 15 is a cross-sectional side view of one embodiment of a spatial display **1500** comprising a spatial light modulator **1401** and a film-based backlight **1501** emitting white light.

[0657] FIG. 16 is a cross-sectional side view of one embodiment of a spatial display **1600** comprising a spatial light modulator **1401** and a backlight **1601** comprising a film-based lightguide **107** emitting blue light, UV light, or a combination of blue and UV light. A portion of this light passes through a wavelength converting layer **1602** and is converted to light of a second color. In one embodiment, the wavelength converting layer **1602** is a phosphor film. In another embodiment, the wavelength converting layer **1602** is a layer comprising quantum dots.

[0658] FIG. 17 is a cross sectional side view of one embodiment of a light emitting display **1700** illuminated by a backlight **1710** comprising a plurality of lightguides emitting different colored light in predetermined spatial patterns. The display panel **1730** is illuminated by a red film-based lightguide **1702**, a green film-based lightguide **1703**, and a blue film-based lightguide **1704** optically coupled to each other and the display panel **1730** by an optical adhesive **1701** with a refractive index lower than the refractive index of the lightguide. In one embodiment, the refractive index of the optical adhesive **1701** is less than the refractive index of the lightguides (**1702**, **1703**, and **1704**) by one selected from the group: 0.5, 0.4, 0.3, 0.2, 0.1, 0.05 and 0.01. The red pixels **1721**, green pixels **1722**, and the blue pixels **1723** of the display panel **1730** correspond to the light emitting regions of the lightguides separated by color. In this embodiment, the light extracting features **1711** within the red lightguide **1702** substantially correspond in the x-y plane to the red pixels **1721** of the display panel **1730** driven to display red information. Similarly, the green light extracting features **1712** within the green lightguide **1703** and the blue light extracting features **1713** within the blue lightguide **1704** substantially correspond in the x-y plane to the green pixels **1722** and the blue pixels **1723**, respectively, of the display panel **1730** driven to display corresponding green and blue information. In one embodiment, the reflective optical element **1101** is specularly reflecting. In another embodiment, the total thickness of the red, green, and blue lightguides (**1702**, **1703**, **1704**) and the optical adhesive layers **1701** disposed between the red, green, and blue lightguides (**1702**, **1703**, **1704**) is less than 100 microns. In another embodiment, the red, green, and blue lightguides **1702**, **1703**, and **1704** are formed by co-extruding the lightguide film layers with low refractive index layers **1701** between them. Similarly, a yellow lightguide may be added, a cyan lightguide may be added or other combinations of colors of lightguides may be used to increase the color gamut of the display or provide a different predetermined color gamut such as one suitable for a night vision compatible display.

[0659] FIG. 18 is a top view of one embodiment of a light emitting device **1800** comprising two light input couplers with two arrays of coupling lightguides **104** and two light

sources **102** on the same edge in the middle region oriented in opposite directions. As shown in FIG. 18, the +y and -y edges of the light emitting device **1800** may be very close to the border of the light emitting region **108** because the light sources **102**, including LEDs, do not extend past the bottom edge of the light emitting region **108** as the light source **102** in the embodiment shown in FIG. 1 does. Thus, a TV for example, illuminated by the light emitting device **1800** as shown in FIG. 18 could have a light emitting display area extending less than 2 millimeters from the edge of the light emitting device **1800** in the +y and -y directions. In the embodiment shown in FIG. 18, the light source **102** is disposed substantially in a middle region of the light emitting region **108** between the +y and -y edges of the light emitting device **1800**.

[0660] FIG. 19 is a top view of one embodiment of a light emitting device **1900** comprising one light input coupler with coupling lightguides **104** folded in the +y and -y directions and then folded in the +z direction (out of the page in the drawing) toward a single light source **102**.

[0661] FIG. 20 is a cross-sectional side view of one embodiment of a spatial display **2000** with a rear polarizer **2002** of a liquid crystal display panel **2001** optically coupled to a film-based lightguide backlight **1402** using an optical adhesive **801**. The liquid crystal display panel **2001** further comprises two display substrates **2003** (glass or a polymer film for example), liquid crystal material **2004**, and a front polarizer **2005**. The liquid crystal display panel may further comprise one or more of the following: other suitable films, materials and/or layers such as compensation films, alignment layers, color filters, coatings, transparent conductive layers, TFTs, anti-glare films, anti-reflection films, etc. as is commonly known in the display industry.

[0662] FIG. 21 is a cross-sectional side view of a region of one embodiment of a light emitting device **11200** comprising a stacked array of coupling lightguides **104** comprising core regions **601** and cladding regions **602**. The core regions **601** comprise vertical light turning optical edges **11201**. The cladding regions **602** in the inner regions of the stack of coupling lightguides **104** do not extend to the vertical light turning optical edges **11201** and the core regions **601** are not separated by a cladding layer in the region near the light source **102**. The light source **102** and a light collimating optical element **11203** are disposed at a light input surface **11206** on the stacked array of coupling lightguides **104**. Light **11207** from the light source **102** is collimated by the reflecting surface **11202** of the light collimating optical element **11203**, enters the stack of coupling lightguides **104** and an optical axis **12130** of light **11207** is rotated toward the +x direction by the vertical light turning optical edges **11201** of the core regions **601** of the coupling lightguides. Light **11207** propagates in the core regions **601** near the light source **102** and totally internally reflects in a core region when encountering an air gap **11208** or cladding layer **602**. In one embodiment, the vertical light turning optical edges **11201** are formed by cutting the stack of core regions **601** at an angle **11205** from a normal **11204** to the surface of the stack of coupling lightguides **104**. In another embodiment, the outer cladding region **602** near the light source **102** does not extend to the region between the light collimating optical element **11203** and the stack of core regions **601** near the light collimating optical element **11203**. In another embodiment, the cladding region **602** near the light collimation element **11203** is a low refrac-

tive index optical adhesive that bonds the light collimating optical element 11203 to the stack of coupling lightguides 104.

[0663] FIG. 22 is a cross-sectional side view of a region of one embodiment of a light emitting device 11300 comprising a stacked array of coupling lightguides 104 comprising core regions 601 and cladding regions 602. The core regions 601 comprise vertical light turning optical edges 11201 and vertical light collimating optical edges 11301. The cladding regions 602 in the inner regions of the stack of coupling lightguides 104 do not extend to the vertical light turning optical edges 11201 or the vertical light collimating optical edges 11301 and the core regions 601 are not separated by a cladding layer in the region near the light source 102. The light source 102 is disposed at a light input surface 11206 on the stack coupling lightguides 104. Light 11302 from the light source 102 enters the stack of coupling lightguides 104 and is collimated by the vertical light collimating optical edges 11301 of the core regions 601 of the coupling lightguides 104. The light 11302 is rotated toward the +x direction by the vertical light turning optical edges 11201 of the core regions 601 of the coupling lightguides 104. Light 11302 propagates in the core regions 601 near the light source 102 and totally internally reflects in a core region 601 when encountering an air gap 11208 or cladding region 602.

[0664] FIG. 23 is a cross-sectional side view of a region of one embodiment of a light emitting device 11400 comprising a stacked array of coupling lightguides 104 comprising core regions 601 and cladding regions 602. The core regions 601 comprise vertical light turning optical edges 11201 and vertical light collimating optical edges 11301. The cladding regions 602 in the inner regions of the stack of coupling lightguides 104 do not extend to the vertical light turning optical edges 11201 or the vertical light collimating optical edges 11301 and the core regions 601 are not separated by a cladding layer in the region near the light source 102. A coupling lightguide 104 near the vertical light collimating optical edges 11301 defines a cavity 11401. The light source 102 is disposed within the cavity 11401 and light 11402 from the light source 102 enters the stack of coupling lightguides 104 and is collimated by the vertical light collimating optical edges 11301 of the core regions 601 of the coupling lightguides 104. The light 11402 is rotated toward the +x direction by the vertical light turning optical edges 11201 of the core regions 601 of the coupling lightguides. Light 11402 propagates in the core regions 601 near the light source and totally internally reflects in a core region when encountering an air gap 11208 or cladding region 602. In this embodiment, the cavity 11401 facilitates registration and increases optical efficiency of the light emitting device 11400. The cavity 11401 can also serve as an alignment cavity to position the light source 102 at a predetermined location (x, y, and +z registration) relative to the vertical light collimating optical edges 11301 and/or the light turning optical edges 11201. By placing the light source 102 within the cavity 11401 of the stacked array of coupling lightguides 104, the light flux from the light source 102 directed into the stacked array of coupling lightguides 104 and remaining in the stacked array of coupling lightguides 104 in a total internal reflection condition in areas with the cladding regions 602, or near the lightguide region (not shown) further in the +x direction, is increased relative to a light source disposed at the larger outer surface. In another

embodiment, the cavity 11401 extends through two or more coupling lightguides 104 or core regions 601 of the coupling lightguides 104.

[0665] FIG. 24 is a perspective view of one embodiment of a light emitting device 11800 comprising coupling lightguides 104 that are optically coupled to a surface of a lightguide 107. In one embodiment, the coupling lightguides 104 optically coupled to the lightguide 107 have a thickness less than one selected from the group: 40%, 30%, 20%, 10%, and 5% of the thickness of the lightguide 107.

[0666] FIG. 25 is a cross-sectional side view of a region of one embodiment of a light emitting device 2500 comprising a stack of coupling lightguides 104 disposed adjacent a light source 102 with a substrate 2502 and a collimating optical element 2501. In one embodiment, the collimating optical element 2501 is a lens which refracts and totally internally reflects light to collimate light from a light emitting diode.

[0667] FIG. 26 is a perspective view of one embodiment of a light emitting device 2600 comprising a light source 102 and coupling lightguides 104 oriented at an angle to the x, y, and z axes. The coupling lightguides 104 are oriented at a first redirection angle 2601 from the +z axis (light emitting device optical axis), a second redirection angle 2602 from the +x direction, and a third redirection angle 2603 from the +y direction. In another embodiment, the light source optical axis and the coupling lightguides 104 are oriented at a first redirection angle 2601 from the +z axis (light emitting device optical axis), a second redirection angle 2602 from the +x direction, and a third redirection angle 2603 from the +y direction.

[0668] FIG. 27 is a top view of one embodiment of a lightguide 11000 comprising a film-based lightguide 107 comprising an array of coupling lightguides 104. Each coupling lightguide 104 of the array of coupling lightguides further comprises a sub-array of coupling lightguides 11001 with a smaller width than the corresponding coupling lightguide 104 in the y direction.

[0669] FIG. 28 is a perspective top view of one embodiment of a light emitting device 11100 comprising the lightguide 11000 of FIG. 27 wherein the coupling lightguides 104 are folded such that they overlap and are aligned substantially parallel to the y direction, and the sub-array of coupling lightguides 11001 are subsequently folded such that they overlap and are aligned substantially parallel to the x direction and disposed to receive light from the light source 102, and couple the light into the coupling lightguides 104 that couple the light into the film-based lightguide 107.

[0670] FIGS. 29A, 29B, 29C, 29D, and 29E illustrate one embodiment of a method of manufacturing a lightguide 107 with continuously coupled lightguides 104 using a light transmitting film. FIG. 29A is a perspective view of an embodiment of a lightguide 107 continuously coupled to each coupling lightguide 104 in an array of coupling lightguides 104. The array of coupling lightguides 104 comprise linear fold regions 2902 substantially parallel to each other which further comprise relative position maintaining elements 2901 disposed within the linear fold regions 2902. In the configuration shown in FIG. 29A, the array of coupling lightguides are substantially within the same plane (x-y plane) as the lightguide 107 and the coupling lightguides 104 are regions of a light transmitting film. The total width,  $W_p$ , of the array of the coupling lightguides in a direction substantially parallel to the linear fold regions 2902 is shown in FIG. 29A. In the embodiment shown in FIG. 29A, the coupling lightguides

have substantially the same width,  $W_s$ , in a direction **2906** parallel to the linear fold region. The direction **2903** normal to a film surface **2980** at the linear fold region **2902** is shown in FIG. **29A**.

[**0671**] As shown in FIG. **29B**, the linear fold regions **2902** are translated with respect to each other from their locations shown in FIG. **29A**. The distance between the two linear fold regions **2902** of the array of coupling lightguides **104** in a direction **2903** (parallel to the z direction) perpendicular to the light transmitting film surface **2980** at the linear fold region **2902** is increased. In addition, as shown in FIG. **29B**, the distance between the linear fold regions **2902** of the array of coupling lightguides **104** in a direction (y direction) substantially perpendicular to the direction **2906** of the linear fold region **2902** and parallel to the light transmitting film surface **2980** (x-y plane) at the linear fold region **2902** is decreased.

[**0672**] As shown in FIG. **29C**, the linear fold regions **2902** are translated with respect to each other from their locations shown in FIG. **29B**. In FIG. **29C**, the distance between the linear fold regions **2902** of the array of coupling lightguides **104** in a direction (x direction) substantially parallel to the direction **2906** of the linear fold regions **2902** and parallel to the light transmitting film surface **2980** at the linear fold regions **2902** is increased.

[**0673**] FIG. **29D** illustrates further translation of the linear fold regions **2902** where the distance between the linear fold regions **2902** of the array of coupling lightguides **104** in a direction (x direction) substantially parallel to the direction **2906** of the linear fold regions **2902** and parallel to the light transmitting film surface **2980** at the linear fold regions **2902** is increased and the distance between the linear fold regions **2902** of the array of coupling lightguides **104** in a direction **2903** perpendicular to the light transmitting film surface **2980** at the linear fold region **2902** is decreased.

[**0674**] As shown in FIG. **29E**, the linear fold regions **2902** are translated with respect to each other from their locations shown in FIG. **29D**. In FIG. **29E**, the distance between the linear fold regions **2902** of the array of coupling lightguides **104** in a direction (x direction) substantially parallel to the direction **2906** of the linear fold regions **2902** and parallel to the light transmitting film surface **2980** at the linear fold regions **2902** is further increased from that of FIG. **29D** and the distance between the linear fold regions **2902** of the array of coupling lightguides **104** in a direction **2903** perpendicular to the light transmitting film surface **2980** at the linear fold region **2902** is further decreased over that of FIG. **29D**.

[**0675**] As a result of the translations of the linear fold regions **2902** as shown FIGS. **29A-e**, corresponding edges **2981** of the linear fold regions **2902** are separated by a distance,  $D$ . In one embodiment, the distance,  $D$ , is at least equal to the total width,  $W_s$ , of the array of the coupling lightguides **104** in a direction substantially parallel to the linear fold region **2902**. In another embodiment,  $D=N \times W_s$ , where the array of coupling lightguides **104** comprise a number,  $N$ , of coupling lightguides that have substantially the same width,  $W_s$ , in a direction parallel to the linear fold region **2902**. The array of coupling lightguides **104** disposed substantially one above another may be cut along a first direction **2904** to provide an array of input edges of the coupling lightguides **104** that end in substantially one plane perpendicular to the linear fold regions **2902**. The cut may be at other angles and may include angled or arcuate cuts that can provide collima-

tion or light redirection of light from a light source disposed to couple light into the input surface of the coupling lightguides.

[**0676**] In a further embodiment, a method of manufacturing a light input coupler and lightguide comprises cutting the coupling lightguides such that two input couplers and two lightguides are formed from the same film. For example, by cutting the coupling lightguides along the direction **2904**, the light transmitting film can be divided into two parts, each comprising a light input coupler and a lightguide.

[**0677**] FIG. **30** is a cross-sectional side view of a region of one embodiment of a reflective display **3000** comprising a backlight **3028** with light extraction features **1007** within the film-based lightguide disposed between two cladding layers **602**. The backlight **3028** is disposed between the light modulating pixels **3002** and the reflective element **3001** within the reflective display **3000**. The light modulating pixels **3002** are disposed between the red, green, and blue color filters **2822** and the backlight **3028**. Ambient light **3003** exterior to the display **3000** propagates through the substrate **2823**, through the color filters **2822**, through the light modulating pixels **3002**, through the backlight **3028**, and reflects from the reflective element **3001** back through the backlight **3028**, the light modulating pixels **3002**, the color filter **2822**, the substrate **2823**, and exits the reflective display **3000**. Light **3004** propagating within the core region **601** of the backlight **3028** is redirected by the light extraction features **1007** toward the reflective element **3001**. This light reflects back through the backlight **3028**, the light modulating pixels **3002**, the color filters **2822** and the substrate **2823** before exiting the reflective display **3000**. In this embodiment, the backlight **3028** is within a reflective spatial light modulator **3030**. In one embodiment, for example without limitation, the light modulating pixels comprise liquid crystal materials, the reflective display further comprises polarizers, and the reflective layer is a reflective coating on an outer surface of the cladding layer.

[**0678**] FIG. **31** is a top view of a further embodiment of an input coupler and lightguide **3100** with coupling lightguides **104** wherein the array of coupling lightguides **104** has non-parallel regions. In the embodiment illustrated in FIG. **31**, the coupling lightguides **104** have tapered region **3101** comprising light collimating edges **3181** and linear fold regions **2902** substantially parallel to each other. In another embodiment, the coupling lightguides **104** have non-constant separations. In another embodiment, a method for manufacturing a lightguide **3100** with coupling lightguides **104** having a tapered regions **3101** of the coupling lightguides **104** includes cutting the coupling lightguides in regions **3103** disposed at or near the tapered region **3101** such that when the array of coupling lightguides **104** are folded, the coupling lightguides **104** overlap to form a profiled, non-planar input surface that is capable of redirecting light input through the light input surface so that the light is more collimated. In another embodiment, the coupling lightguides **104** are not substantially parallel such that the coupling lightguides **104** have regions with angles between the edges that vary by more than about 2 degrees.

[**0679**] FIG. **32** is a perspective view of a portion of the lightguide **3100** with coupling lightguides **104** shown in FIG. **31**. The coupling lightguides **104** have been cut in regions **3103** (shown in FIG. **31**) disposed near the tapered region **3101** and folded such that the tapered regions **3101** overlap to form a profiled light collimating edges **3181** that are capable

of redirecting light input through the light input surface **103** so that the light is more collimated in the x-y plane within the film-based lightguide **107**.

[0680] FIG. **33** is a perspective view of one embodiment of a light input coupler and lightguide **3300** comprising a relative position maintaining element **3301** disposed proximal to a linear fold region **2902**. In this embodiment, the relative position maintaining element **3301** has a cross-sectional edge **2971** in a plane (x-y plane as shown) parallel to the light transmitting film surface **2970** disposed proximal to the linear fold region **2902** that comprises a substantially linear section **3303** oriented at an angle **3302** greater than 10 degrees to the direction **2906** parallel to the linear fold region **2902** for at least one coupling lightguide **104**. In one embodiment, a substantially linear section **3303** is disposed at an angle of about 45 degrees to a direction parallel to the linear fold region **2902**.

[0681] FIGS. **34** and **35A** are top views of certain embodiments of light input couplers and lightguides **3400** and **3500**, respectively, configured such that a volume and/or a size of the overall device is reduced while retaining total internal reflection (TIR) light transfer from the light source (not shown) into the lightguide. In FIG. **35A**, the light input coupler and lightguide **3400** comprises bundles of coupling lightguides (**3401a**, **3401b**) that are folded twice **3402** and recombined **3403** in a plane substantially parallel to the film-based lightguide **107**.

[0682] FIG. **35B** illustrates one embodiment of a light emitting device with a light input coupler and lightguide **3500** that comprises bundles (**3401a**, **3401b**) that are folded upwards **3501** (+z direction) and combined in a stack **3502** that is substantially perpendicular to the plane of the film-based lightguide **107**.

[0683] FIG. **36** is a perspective view of the bundles (**3401a**, **3401b**) of coupling lightguides folded upward **3501** in the +z direction. In another embodiment, the bundles are folded downwards (-z direction). FIG. **36** is a perspective view of a region of one embodiment of a light emitting device **11500** comprising a stacked array of coupling lightguides **104** disposed within an alignment cavity **11501** of a thermal transfer element **7002** that is operatively coupled, such as physically coupled, to a base **9902** for a light source (not shown in FIG. **36**). The thermal transfer element **7002** comprises extended fins **7003**. Heat from the light source disposed within the thermal transfer element **7002** is transferred away from the light source by the thermal transfer element **7002**. The light source is disposed to couple light into the stack of coupling lightguides **104**. The alignment cavity **11501** can register the stack of coupling lightguides **104** in the y and z directions and the light source can provide registration in the +x direction (the coupling lightguides **104** are prevented from translating past the light source in the +x direction). Friction or other mechanical or adhesive means can facilitate registration and/or maintaining the position of the stacks relative to the light source **102** in the -x direction (prevent the stack from pulling out of the cavity). In another embodiment, an internal ridge or an end of the cavity **11501** prevents or limits the lateral movement of the coupling lightguides **104** in the +x direction and provides a predetermined minimum distance between the light source **102** and the stack of coupling lightguides **104** (which can reduce the maximum operating temperature at the ends of the coupling lightguides **104** due to heat from the light source).

[0684] FIG. **37** is a side view of a region of one embodiment of a light emitting device **11600** comprising a stacked array of coupling lightguides **104** disposed within an alignment cavity **11501** of an alignment guide **11601** comprising an extended alignment arm **11602**. The stack of coupling lightguides **104** can be inserted into the alignment cavity **11501** that registers the coupling lightguides **104** in the x and z directions. The inner end **11603** of the alignment cavity **11501** can provide a stop for the coupling lightguides **104** that sets a minimum separation distance for the stack of coupling lightguides **104** and the light source **102**. Light **9903** from the light source **102** is directed into the coupling lightguide **104**.

[0685] FIG. **38** is a perspective view of one embodiment of a light emitting device **3800** comprising coupling lightguides **104** that are optically coupled to an edge **3801** of a lightguide **107**. In one embodiment, the coupling lightguides **104** optically coupled to the edge **3801** of the lightguide **107** have a thickness less than one selected from the group: 90%, 80%, 70%, 60%, 50%, 40%, 30%, 20%, and 10% of the thickness of the lightguide **107**.

[0686] FIG. **39** is an un-folded top view of one embodiment of a light emitting device **3900** comprising a light input coupler **3908** comprising a lightguide **3903** and a single coupling lightguide comprising fold regions **3909** defined by fold lines **3902**, a reflective edge **3904** and a light input edge **204** disposed between a first reflective surface edge **3906** and a second reflective surface edge **3907** within a single film. The film of the light input coupler **3908** is folded along fold lines **3902** such that the fold regions **3909** substantially overlay each other and the light source **102** couples light into each light input edge **204**. The optical system is shown "un-folded" in FIG. **39** and the light sources **3901** correspond to the location of the light source **102** relative to the fold regions **3909** when the film is folded. As shown in FIG. **39**, light **3905** from the light source **102** (and the light sources **3901** when folded) totally internally reflects from the reflective edge **3904** which is angled toward the light emitting region **108** of the lightguide **3903**. The first reflective surface **3906** and the second reflective surface **3907** are formed by shaped edges (angled or curved for example) in the film and serve to redirect a portion of light from the light sources (**102** and **3901**) into the lightguide at angles which totally internally reflect from the angled edge **3904**.

[0687] FIG. **40** is a perspective view of the lightguide **3903** and the light input coupler **3908** comprising a light source **102** and coupling lightguide of FIG. **39** as the film is being folded along the fold lines **3902** in the direction **4001** represented in the figure. The fold regions **3909** substantially layer upon each other such that the light input edges **204** stack and align to receive light from the light source **102**.

[0688] FIG. **41** is a perspective view of the lightguide **3903** and the light input coupler **3908** of FIG. **39** folded and comprising a coupling lightguide formed from overlapping fold regions **3909** of a film lightguide **3903**. The fold regions **3909** substantially layer upon each other such that the light input edges **204** stack and align to receive light from the light source **102**.

[0689] FIG. **42** is an elevated view of an embodiment of a film-based lightguide **4205** comprising a first light emitting region **4201** disposed to receive light from a first set of coupling lightguides **4203** and a second light emitting region **4202** disposed to receive light from a second set of coupling lightguides **4204**. The light emitting regions are separated from each other in the y direction by a distance "SD" **4206**.

The free ends of the sets of coupling lightguides **4203** and **4204** can be folded toward the  $-y$  direction such that both sets substantially overlap as shown in FIG. 43.

[0690] FIG. 43 is an elevated view of the film-based lightguide **4205** of FIG. 42 wherein the coupling lightguides **4203** are folded such that they substantially overlap and form a light input surface **103**. In this embodiment, a single light source (not shown) may illuminate two separate light emitting regions within the same film. In another embodiment, two separated film-based lightguides have separate light input couplers which are folded and the light input edges are brought together to form a stack of coupling lightguides disposed to receive light from a light source. This type of configuration may be useful, for example, where the first light emitting region backlights a LCD and the second light emitting region illuminates a keypad on a mobile phone device.

[0691] FIG. 44 is a cross-sectional side view of one embodiment of a light emitting device **4400** with optical redundancy comprising two lightguides **107** stacked in the  $z$  direction. Light sources and coupling lightguides within the holders **4402** arranged substantially adjacent in the  $y$  direction direct light into core regions **601** such that light **4401** is output from the light emitting region **108** from each lightguide **107**.

[0692] FIG. 45 is a cross-sectional side view of one embodiment of a light emitting device **4500** with a first light source **4501** and a second light source **4502** thermally coupled to a first thermal transfer element **4505** (such as a metal core printed circuit board (PCB)) and thermally insulated (physically separated by an air gap in the embodiment shown) from a second thermal transfer element **4506** that is thermally coupled to a third light source **4503** and a fourth light source **4504**. The first light source **4501** and the third light source **4503** are disposed to couple light into a first light input coupler **4507** and the second light source **4502** and the fourth light source **4504** are disposed to couple light into a second light input coupler **4508**. In this embodiment, the heat dissipated from the first light source **4501** is dissipated along the first thermal transfer element **4505** in the  $x$  direction toward the second light source **4502** such that heat from the first light source **4501** does not substantially increase the temperature at the third light source **4503** by conduction.

[0693] FIG. 46 is a top view of one embodiment of a light emitting device **4600** comprising a plurality of coupling lightguides **104** with a plurality of first reflective surface edges **3906** and a plurality of second reflective surface edges **3907** within each coupling lightguide **104**. In the embodiment shown in FIG. 46, three light sources **102** are disposed to couple light into respective light input edges **204** at least partially defined by respective first reflective surface edges **3906** and second reflective surface edges **3907**.

[0694] FIG. 47 is an enlarged perspective view of the coupling lightguides **104** of FIG. 46 with the light input edges **204** disposed between the first reflective surface edges **3906** and the second reflective surface edges **3907**. The light sources **102** are omitted in FIG. 47 for clarity.

[0695] FIG. 48 is a cross-sectional side view of the coupling lightguides **104** and the light source **102** of one embodiment of a light emitting device **4800** comprising index matching regions **4801** disposed between the core regions **601** of the coupling lightguides **104** in the index-matched region **4803** of the coupling lightguides **104** disposed proximate the light source **102**. The light source **102** is positioned adjacent the coupling lightguides **104** and the high angle light **4802** from

the light source **102** propagates through the coupling lightguides **104** and the index matching region **4801** and is coupled into the coupling lightguides **104** at a location distant from the light input edge **204** of the coupling lightguides **104**. In the embodiment shown in FIG. 48, the light from the light source **102** is coupled into more coupling lightguides because the light, for example at 60 degrees from the optical axis **4830** of the light source **102** propagates into a core region **601** near the light source, propagates through the index matching region **4801**, and totally internally reflects in a core region **601** further away from the light source **102**. In this embodiment, a portion of the light is coupled into the outer coupling lightguides **104** that would not normally receive the light if there were cladding present at or near the light input edge **204**.

[0696] FIG. 49 is a top view of one embodiment of a film-based lightguide **4900** comprising an array of tapered coupling lightguides **4902** formed by cutting regions in a lightguide **107**. The array of tapered coupling lightguides **4902** extend in a first direction ( $y$  direction as shown) a dimension,  $d1$ , which is less than a parallel dimension,  $d2$ , of the light emitting region **108** of the lightguide **107**. A compensation region **4901** is defined within the film-based lightguide **4900** which does not include tapered coupling lightguides **4902** (when the tapered coupling lightguides **4902** are not folded or bent). In this embodiment, the compensation region provides a volume having sufficient length in the  $y$  direction to place a light source (not shown) such that the light source does not extend past the lower edge **4903** of the lightguide **107**. The compensation region **4901** of the light emitting region **108** may have a higher density of light extraction features (not shown) to compensate for the lower input flux directly received from the tapered coupling lightguides **4902** into the light emitting region **108**. In one embodiment, a substantially uniform luminance or light flux output per area in the light emitting region **108** is achieved despite the lower level of light flux received by the light extraction features within the compensation region **4901** of the light emitting region by, for example, increasing the light extraction efficiency or area ratio of the light extraction features to the area without light extraction features within one or more regions of the compensation region, increasing the width of the light mixing region between the coupling lightguides and the light emitting region, decreasing the light extraction efficiency or the average area ratio of the light extraction features to the areas without light extraction features in one or more regions of the light emitting region outside the compensation region, and any suitable combination thereof.

[0697] FIG. 50 is a perspective top view of one embodiment of a light emitting device **5000** comprising the film-based lightguide **4900** shown in FIG. 49 and a light source **102**. In this embodiment, tapered coupling lightguides **4902** are folded in the  $-y$  direction toward the light source **102** such that the light input edges **204** of the coupling lightguides **4902** are disposed to receive light from the light source **102**. Light from the light source **102** propagating through the tapered coupling lightguides **4902** exits the tapered coupling lightguides **4902** and enters into the light emitting region **108** generally propagating in the  $+x$  direction while expanding in the  $+y$  and  $-y$  directions. In the embodiment shown in FIG. 50, the light source **102** is disposed within the region that did not comprise a tapered coupling lightguide **4902** and the light source **102** does not extend in the  $y$  direction past a lower edge **4903** of the light emitting device **5000**. By not extending past the lower edge **4903**, the light emitting device **5000** has a

shorter overall width in the y direction. Furthermore, the light emitting device 5000 can maintain the shorter dimension, d1, in the y direction (shown in FIG. 49) when the tapered coupling lightguides 4902 and the light source 102 are folded under (-z direction and then +x direction) the light emitting region 108 along the fold (or bend) line 5001.

[0698] FIG. 51 is a perspective view of a light emitting device 5100 comprising the light emitting device 5000 shown in FIG. 50 with the tapered coupling lightguides 4902 and light source 102 shown in FIG. 50 folded (-z direction and then +x direction) behind the light emitting region 108 along the fold (or bend) line 5001. As can be seen from FIG. 51, a distance between the lower edge of the light emitting region 108 and the corresponding edge of the light emitting device 4903 in the -y direction is relatively small. When this distance is small, the light emitting region 108 can appear borderless, and for example, a display comprising a backlight where the light emitting region 108 extends very close to the edge of the backlight can appear frameless or borderless.

[0699] FIG. 52 is a top view of one embodiment of a film-based lightguide 5200 comprising an array of angled, tapered coupling lightguides 5201 formed by cutting regions in a lightguide 107 at a first coupling lightguide orientation angle,  $\gamma$ , defined as the angle between the coupling lightguide axis 5202 and the direction 5203 parallel to the major component of the direction of the coupling lightguides 5201 to the light emitting region 108 of the lightguide 107. By cutting the tapered coupling lightguides 5201 within the lightguide 107 at a first coupling lightguide orientation angle, the angled, tapered lightguides 5201, when folded, provide volume with a dimension of sufficient length to place a light source such that the light source does not extend past the lower edge 4903 of the film-based lightguide 5200.

[0700] FIG. 53 is a perspective view of one embodiment of a light emitting device 5300 comprising the film-based lightguide 5200 shown in FIG. 52 and a light source 102. As shown in FIG. 53, the angled, tapered coupling lightguides 5201 are folded in the -y direction toward the light source 102 such that the light input surfaces 204 of the stacked coupling lightguides 5201 are disposed to receive light from the light source 102.

[0701] FIG. 54 is a top view of one embodiment of a film-based lightguide 5400 comprising a first array of angled, tapered coupling lightguides 5201 formed by cutting regions in the lightguide 107 at a first coupling lightguide orientation angle 5406 and a second array of angled, tapered coupling lightguides 5402 formed by cutting regions in the lightguide 107 at a second coupling lightguide orientation angle 5407. By cutting the first array of coupling lightguides 5201 and the second array of coupling lightguides 5402 within the lightguide 107 at the first coupling lightguide orientation angle 5406 and the second coupling lightguide orientation angle 5407, respectively, the angled, tapered lightguides 5201 and 5402, when folded, provide volume with a dimension of sufficient length to place one or more light sources 102 such that the one or more light sources 102 do not extend past the lower edge 4903 of the lightguide 107.

[0702] FIG. 55 is a perspective top view of one embodiment of a light emitting device 5500 comprising the film-based lightguide 5400 shown in FIG. 54 and a light source 102 emitting light in the +y direction and -y direction (such as two LEDs disposed back to back). The first array of coupling lightguides 5201 are folded in the -y direction toward the light source 102 such that each light input surface 204 is

disposed to receive light from the light source 102 and the second array of coupling lightguides 5402 are folded in the +y direction toward the light source 102 such that each light input surface 204 is disposed to receive light from the light source 102. The first and second array of coupling lightguides 5201 and 5402 are angled away from the center of the light emitting region 108 to allow the light source 102 to be disposed in the central region of the lightguide 107 (in the y direction) such that the light source 102 does not extend past the lower edge 4903 or upper edge 5401 of the lightguide 107. The light source 102, the first array of coupling lightguides 5201, and the second array of coupling lightguides 5402 may be folded under the light emitting region 108 along the fold (or bend) axis 5001 such that the light emitting device 5500 is substantially edgeless or has light emitting regions extending very close to the edges of the light emitting device in the x-y plane.

[0703] FIG. 56 is a top view of one embodiment of a light emitting device 5600 comprising the lightguide 107, the coupling lightguides 104 and a mirror 5601 functioning as a light redirecting optical element including a curved or arcuate reflective surface or region disposed to redirect light from the light source 102 into the coupling lightguides 104. Within the coupling lightguides 104, the light propagates through the coupling lightguides 104 into the lightguide 107 and exits the lightguide 107 in the light emitting region 108.

[0704] FIG. 57 is a top view of one embodiment of a light emitting device 5700 comprising the lightguide 107, the coupling lightguides 104 and a mirror 5701. In this embodiment, mirror 5701 includes two or more curved or arcuate surfaces or regions disposed to redirect light from one or more light sources, such as the two light sources 102 shown in FIG. 57, into the coupling lightguides 104 where the mirror is functioning as a bidirectional light turning optical element. Within the coupling lightguides 104, the light propagates through the coupling lightguides 104 into the lightguide 107 and exits the lightguide 107 in the light emitting region 108. As shown in FIG. 57, the light sources 102 are disposed to emit light with a corresponding light source optical axis 5702 substantially oriented parallel to the +x direction. The curved mirror redirects the light into axis 5703 oriented in the +y and 5704 oriented in the -y direction. In another embodiment, the optical axes of the light sources 102 are oriented substantially in the -z direction (into the page) and the curved mirror redirects the light into axes 5703 and 5704 oriented in the +y and -y directions, respectively.

[0705] FIG. 58 is a top view of one embodiment of a light emitting device 5800 comprising the lightguide 107 and coupling lightguides 104 on opposite sides of the lightguide 107 that have been folded behind the light emitting region 108 of the light emitting device 5800 along the lateral sides 5001 (shown by phantom lines in FIG. 58) such that the frames or border regions (5830, 5831) between the light emitting region 108 and the corresponding edge (5001, 5832) of the light emitting device 5800 in the +x direction, -x direction, and +y direction are minimized and the light emitting device 5800 can be substantially edgeless (or have a small frame) along any desirable number of sides or edges, such as three sides or edges as shown in FIG. 58.

[0706] FIG. 59 is a top view of one embodiment of a light emitting device 5900 comprising the lightguide 107, with the coupling lightguides 104 on two orthogonal sides. In this embodiment, a light coupling optical element 5901 is disposed to increase the light flux that couples from the light

source 102 into the two sets of coupling lightguides 104. A first portion of the light 5902 from the light source 102 will refract upon entering the light coupling optical element 5901 and be directed into a waveguide condition within the coupling lightguides 104 oriented substantially parallel to the x axis and a second portion of the light 5903 will refract upon entering the light coupling optical element 5901 and be directed into a waveguide condition within the coupling lightguides 104 oriented substantially parallel to the y axis.

[0707] FIG. 60 is a cross-sectional side view of a portion of one embodiment of a light emitting device 6000 comprising the lightguide 107 and the light input coupler 101. In this embodiment, a low contact area cover 6001 is operatively coupled, such as physically coupled as shown in FIG. 60, to the light input coupler 101 (or one or more elements within the light input coupler 101) and wraps around the light input coupler 101 and is physically coupled or maintained in a region near the lightguide 107 by a suitable fastening mechanism, such as one or more fibers 6002 that stitches the low contact area cover 6001 in contact or in proximity to the lightguide 107. In the embodiment shown in FIG. 60, the stitches pass through the low contact area cover 6001 and the lightguide 107 and provide a very small surface area in the primary direction (-x direction) of propagation of the light within the light emitting portion of the lightguide 107. A physical coupling mechanism with a small surface within the lightguide reduces the scattering or reflection of light propagating within the lightguide which can reduce optical efficiency or cause stray light. In the embodiment shown in FIG. 60, the fiber (or wire, thread, etc.) 6002 provides a low contact area physical coupling mechanism that has a small percentage of cross sectional area in the y-z plane (orthogonal to the optical axis direction (-x direction) of the light within the lightguide region).

[0708] FIG. 61 shows an enlarged view of a region of the lightguide 107 shown in FIG. 60 in which the lightguide 107 is in contact with the low contact area cover 6001. In this embodiment, the low contact area cover 6001 has convex surface features 6101 that reduce the contact area 6102 in contact with the surface 6103 of the lightguide 107 disposed near the low contact area cover 6101. In other embodiments, the low contact area cover 6001 includes any suitable feature that reduces the contact area 6102.

[0709] FIG. 62 is a side view of a portion of one embodiment of a light emitting device 6200 comprising the lightguide 107 and coupling lightguides 104 protected by a low contact area cover 6001. The low contact area cover 6001 is operatively coupled, such as physically coupled as shown in FIG. 62, by a suitable fastening mechanism, such as one or more sewn fibers 6002, to the lightguide 107 at two or more regions of the low contact area cover 6001 such that the low contact area cover wraps around the coupling lightguides 104. A non-adjustable cylindrical tension rod 6205 and an adjustable cylindrical tension rod 6201 are disposed substantially parallel to each other in the y direction and are operatively coupled, such as physically coupled by two braces 6202 that are substantially parallel to each other in the x direction. The inner surface 6101 of the low contact area cover 6001 comprises convex surface features. When the cylindrical tension rod 6201 is translated in the +x direction, the inner surface 6101 of the low contact area cover 6001 is pulled inward in the +z and -z directions onto the lightguide 107 and coupling lightguide 104. The surface relief features on the low contact area cover 6001 reduce the amount of light lost

from within the coupling lightguide 104 and/or the lightguide 107 when the cylindrical tension rod 6201 is translated in the +x direction. Translating the tension rod in the +x direction also reduces a height of the light emitting device 6200 parallel to the z direction by moving the coupling lightguides 104 closer together and closer to the lightguide 107. The low contact area cover 6001 also provides protection from dust contamination and physical contact by other components coupling light out of the coupling lightguides 104 and/or the lightguide film 107.

[0710] FIG. 63A is a perspective view of a portion of one embodiment of a film-based lightguide 6300 comprising coupling lightguides 6301 including one or more flanges. In this embodiment, each coupling lightguide 6301 includes a flange 6306 on each opposing side of an end region 6307 of the coupling lightguides 6301 as shown in FIG. 63A. A strap 6302 is guided through two slits 6303 formed in a base 6304 and pulled by both ends in the y directions (or in the +y direction, for example, if the region of the strap in the -y direction is held fixed relative to the base 6304). By tightening the strap 6302, the coupling lightguides 6301 are urged closer together and toward the base 6304 in the z direction to facilitate securing the coupling lightguides 6301 with respect to the base 6304. Also, the strap 6303 and the hook regions formed by the flanges 6306 prevent or limit the coupling lightguides 6301 from translating in the -x direction. In one embodiment, after the coupling lightguides 6301 are urged together, the end region 6307 of the coupling lightguides 6301 and/or the flanges 6306 are cut or otherwise removed along a cut axis 6305. The resulting new edge at the end of the coupling lightguides 6301 along the cut axis 6305 can be an input surface or otherwise coupled to an optical element or polished to form a new input surface for the coupling lightguides 6301. The ends may be physically or optically coupled to a window or an adhesive or epoxy such as an Ultraviolet (UV) curable epoxy disposed between the ends of the coupling lightguide 6301 and a high gloss fluorinated ethylene propylene (FEP) film or polished glass such that the film or glass can be removed, leaving a glossy, polished input surface made of the epoxy which also helps holds the ends of the coupling lightguides 6301 together. In another embodiment, the holding mechanism is removed after one or more of the coupling lightguides 6301 are adhered together or to another component of the light emitting device 6300. In another embodiment, the end region 6307 is not removed from the coupling lightguides 6301 and the ends of the coupling lightguides 6301 form the light input surface 204 as shown in FIG. 63A.

[0711] FIG. 63B is a perspective view of one embodiment of a light emitting device 11700 comprising a film-based lightguide 11702 and a light reflecting optical element 11701 (shown in the FIG. 63B as transparent to illustrate the reflecting light ray) that is also a light collimating optical element and a light blocking element. The light reflecting optical element 11701 has a region 11705 that extends beyond the lightguide region 106 and wraps around the stack of coupling lightguides 104 and has tab regions 11703 that fold toward the light source 102 to form a light collimating element 11706. Light 11704 from the light source 102 is reflected off of the tab region 11703 of the light collimating element 11706 and becomes more collimated (smaller angular FWHM intensity) in the y-z and y-x planes and enters the input edges 204 of the coupling lightguides 104. Stray light that escapes a coupling lightguide 104 is blocked (reflected or absorbed in this embodiment) from exiting directly from the stack of coupling

lightguides **104** by the light reflecting optical element **11701** that is also a light blocking optical element. In another embodiment, the light reflecting optical element **11701** may be optically coupled to the film-based lightguide **11702** by a pressure sensitive adhesive and the light reflecting optical element **11701** may diffusely reflect, specularly reflect, or a combination thereof, a portion of the incident light. In a further embodiment, the light reflecting optical element **11701** is a low contact area cover or comprises surface relief features in contact with the film-based lightguide **11702**.

[0712] FIG. **64** is a perspective view of one embodiment of a film-based lightguide **6400** comprising a light input coupler and lightguide **107** comprising a relative position maintaining element **3301** disposed proximal to a linear fold line or region. In this embodiment, the relative position maintaining element **3301** has a cross-sectional guide edge in a plane (x-y plane as shown) parallel to the lightguide **107** that comprises a substantially linear angled guide edge **3303** oriented at an angle **3302** about 45 degrees to the direction **6404** (+y direction) parallel to the linear fold direction (the -y direction). If the coupling lightguide **6401** is folded without the relative position maintaining element **3301**, the stress point for the force of the fold or bend pulling the coupling lightguide in the -y direction is at the region **6402** near where the coupling lightguide **6401** separates from the lightguide **107**. By using the relative position maintaining element **3301**, when the coupling lightguide **6401** is pulled in the -y direction, the force is distributed across a length region **6403** of the angled guide edge **3303** of the relative position maintaining element **3301**. In one embodiment, the angled guide edges **3303** on the relative position maintaining element **3301** reduce the likelihood of tearing the coupling lightguide **6401** and enable a lower profile (reduced height in the z direction) because the coupling lightguide **6401** can be pulled with relatively more force. In another embodiment, the thickness and edge profile of the relative position maintaining element **3301** dictates a minimum bend radius for the fold in the coupling lightguide **6401** near the length region **6403**.

[0713] FIG. **65** is a perspective view of one embodiment of a relative position maintaining element **6501** comprising rounded angled edge surfaces **6502**. By rounding the edge surfaces **6502**, the surface area of contact with a folded film is increased to the rounded angled edge surface **6502**. By spreading the force of pull in the -y direction over a larger area of the coupling lightguide **6401**, for example, the coupling lightguide **6401** is less likely to fracture or tear.

[0714] FIG. **66** is a perspective view of one embodiment of a relative position maintaining element **6600** comprising rounded angled edge surfaces **6502** and rounded tips **6601**. By rounding the edge surfaces **6502**, the surface area of contact with a folded film is increased to the rounded angled edge surface **6502**. By spreading the force of pull in the -y direction over a larger area of the coupling lightguide **6401**, for example, the coupling lightguide **6401** is less likely to fracture or tear. By rounding the tips **6601** of the relative position maintaining element **6600**, the edge is less sharp and less likely to induce a localized stress region in the coupling lightguide **6401** as the coupling lightguide **6401** is folded (or bent) or while maintaining the fold or bend.

[0715] FIG. **67** is a perspective view of a portion of one embodiment of a film-based lightguide **6700** comprising coupling lightguides **6301** including one or more flanges **6306**. In this embodiment, each coupling lightguide **6301** includes a flange **6306** on each opposing side of an end region **6307** of

the coupling lightguides **6301** as shown in FIG. **63**. A strap **6302** is guided through two slits **6303** in a base **6304** and pulled by both ends in the y directions (or in the +y direction, for example, if the region of the strap in the -y direction is held fixed relative to the base **6304**). By tightening the strap **6303**, the coupling lightguides **6301** are urged closer together and toward the base **6304** in the z direction to facilitate securing the coupling lightguides **6301** with respect to the base **6304**. Also, the strap **6303** and the hook regions formed by the flanges **6306** prevent or limit the coupling lightguides **6301** from translating in the -x direction. In one embodiment, after the coupling lightguides **6301** are urged together, the end region **6307** of the coupling lightguides **6301** and/or the flanges **6306** are cut or otherwise removed along an aperture cut **6701** by tearing or cutting the regions between the aperture cut **6701** and the flanges **6306** along a cut axis **6305**. An edge **6702** of the aperture cut **6701** then becomes the light input surface of the coupling lightguides **6301**. For example, in one embodiment, the cutting device used to cut the coupling lightguides **6301** from a film can also cut the light input surface on the coupling lightguides and the flanges **6306** and strap **6302** assist with assembly.

[0716] FIG. **68** is a perspective view of a portion of one embodiment of the light emitting device **6200** illustrated in FIG. **62** comprising the lightguide **107** and light input coupler protected by a low contact area cover **6001**. In this embodiment, the low contact area cover **6001** is physically coupled by a fiber **6002** to the lightguide **107** in two regions of the low contact area cover **6001** by passing a fiber **6002** through the two layers of the low contact area cover **6001** and the lightguide **107** in a sewing or threading type action.

[0717] FIG. **69** is a top view of one embodiment of a light emitting device **6900** with two light input couplers comprising coupling lightguides **104** and a first light source **6902** and a second light source **6903** disposed on opposite sides of the lightguide **107**. An aluminum bar type thermal transfer element **6901** is disposed to thermally couple heat from the first light source **6902** and the second light source **6903** and dissipate heat along the length of light emitting device **6900** in the x direction. In other embodiments, one or more suitable thermal transfer elements may be incorporated into the light emitting device **6900** to facilitate dissipating heat from the light emitting device **6900**.

[0718] FIG. **70** is a perspective view of one embodiment of a light emitting device **7000** comprising the lightguide **107**, the light input coupler **101**, and a light reflecting film **7004** disposed between the light input coupler **101** and the light emitting region **108**. A circuit board **7001** for the light source in the light input coupler **101** couples heat from the light source to a thermal transfer element heat sink **7002** thermally coupled to the circuit board **7001**. In this embodiment, the thermal transfer element **7002** comprises fins **7003** and is extended in the x-y plane behind the light reflecting film **7004** and the light emitting region **108** to provide an increased surface area and occupy a volume that does not extend past the edges **7030** of the lightguide **107** to conduct heat away from the circuit board **7001** and the light source in the light input coupler **101**.

[0719] FIG. **71** is a top view of a region of one embodiment of a light emitting device **7100** comprising a stack **7101** of coupling lightguides disposed to receive light from a light collimating optical element **7102** and the light source **102**. The output surface **7103** of the light collimating optical element **7102** corresponds in shape to the light input surface



**7105** of the stack **7101** of coupling lightguides. Light **7104** from the light source **102** is collimated by the light collimating optical element **7102** and enters the stack **7101** of coupling lightguides. For example, as shown in FIG. 71, the output surface **7103** has a rectangular shape substantially matching the rectangular shape of the light input surface **7105** of the stack **7101** of coupling lightguides.

[0720] FIG. 72 is a cross-sectional side view of the light emitting device **7100** shown in FIG. 71. The light **7104** collimated by the light collimating optical element **7102** enters the stack **7101** of coupling lightguides **7201**.

[0721] FIG. 73 is a top view of one embodiment of a light emitting device **7300** comprising the stack **7101** of coupling lightguides physically coupled to the light collimating optical element **7102**. The physical coupling region of the stack **7101** of coupling lightguides defines a cavity **7331** within which the light collimating optical element physical coupling region **7302** is disposed. In the embodiment shown, the light collimating optical element physical coupling region **7302** is a ridge **7330** on the light collimating optical element **7102** and the physical coupling region of the stack **7101** of coupling lightguides is the region **7301** partially surrounding an opening or aperture cut within each coupling lightguide which, when stacked, forms a cavity **7331** that substantially constrains and aligns the light collimating element **7102** in the x and y directions.

[0722] FIG. 74 is a top view of a region of one embodiment of a light emitting device **7400** comprising a light turning optical element **7401** optically coupled using an index matching adhesive **7402** to a stack **7101** of coupling lightguides. Light **7403** from the light source **102** totally internally reflects off of the light turning surface **7405** of the light turning optical element **7401**, passes through the index matching adhesive **7402** and into the stack **7101** of coupling lightguides and the optical axis of the light **7403** from the light source **102** is rotated. Light **7404** from the light source **102** passes directly into the stack **7101** of coupling lightguides without reflecting off of the light turning surface **7405** of the light turning optical element **7401**.

[0723] FIG. 75A is a top view of a region of one embodiment of a light emitting device **7500** comprising the light source **102** disposed adjacent a lateral edge **7503** of a stack **7501** of coupling lightguides with light turning optical edges **7502**. The light turning optical edges **7502** reflect a portion of the incident light from the light source **102** with an optical axis **7504** in a first direction ( $-y$  direction, for example) such that the optical axis **7504** is rotated from the first direction by an angle **7506** to an optical axis **7505** in a second direction ( $-x$  direction, for example).

[0724] FIG. 75B is a top view of a region of one embodiment of a light emitting device **7530** comprising the light source **102** disposed adjacent the light input surface edge **7507** of the extended region **7508** of the stack **7501** of coupling lightguides with light turning optical edges **7502**. In this embodiment, the extended region **7508** allows the light input surface edge **7507** to be cut, trimmed, and/or polished (separately or as a collection of coupling lightguides in a stack) or bonded to a light collimating optical element without damaging (scratching or tearing, for example) or unnecessarily coupling light out of the lateral edges **7503** of the stack **7501** of coupling lightguides (with overflow adhesive, for example).

[0725] FIG. 76 is a top view of a region of one embodiment of a light emitting device **7600** comprising the light source

**102** disposed to couple light into two light turning optical elements **7401** optically coupled using an adhesive **7402** (such as an index matching adhesive or optical adhesive for example) to two stacks **7101** of coupling lightguides.

[0726] FIG. 77 is a top view of a region of one embodiment of a light emitting device **7700** comprising the light source **102** disposed to couple light into a bi-directional light turning optical element **7701** optically coupled using index matching adhesive **7402** to two stacks **7101** of coupling lightguides. In this embodiment, a single bi-directional light turning optical element **7701** divides and rotates the optical axis of light from a single light source in a first direction ( $-y$  direction) into two different directions ( $-x$  and  $+x$  directions), replaces two unidirectional light turning optical elements, and reduces part count and associated costs.

[0727] FIG. 78 is a top view of a region of one embodiment of a light emitting device **7800** comprising two light sources **102** disposed to couple light into a bi-directional light turning optical element **7801** optically coupled using index matching adhesive **7402** to two stacks **7101** of coupling lightguides. In this embodiment, a single bi-directional light turning optical element **7701** is designed to divide and rotate the optical axes of light from two light sources from a first direction ( $-y$  direction) to two different directions ( $+x$  and  $-x$  directions).

[0728] FIG. 79 is a top view of a region of one embodiment of a light emitting device **7900** comprising the light source **102** disposed to couple light into two stacks **7501** of coupling lightguides with light turning optical edges **7502**. In this embodiment, the two stacks **7501** of coupling lightguides divide and rotate the optical axis of light from the light source from a first direction ( $-y$  direction) to two different directions ( $+x$  and  $-x$  directions).

[0729] FIG. 80 is a top view of a region of one embodiment of a light emitting device **8000** comprising the light source **102** disposed to couple light into two overlapping stacks **7501** of coupling lightguides with light turning optical edges **7502**. In this embodiment, the two stacks **7501** of coupling lightguides divide and rotate the optical axis of light from the light source from a first direction ( $-y$  direction) to two different directions ( $+x$  and  $-x$  directions).

[0730] FIG. 81 is a top view of a region of one embodiment of a light emitting device **8100** comprising the light source **102** disposed to couple light into the stack **7501** of coupling lightguides with light turning optical edges **7502**. In this embodiment, the stack **7501** of coupling lightguides has tabs **8102** with tab alignment openings or apertures **8101**. The tab alignment openings or apertures **8101** may be used, for example, to register the stack **7501** of coupling lightguides (and their light input surface) with a pin extending from a circuit board comprising a light source to enable efficient light coupling into the stack **7501** of coupling lightguides.

[0731] FIG. 82 is a top view of a region of one embodiment of a light emitting device **8200** comprising the light source **102** disposed to couple light into the stack **7501** of coupling lightguides with light turning optical edges **7502**. In this embodiment, the stack **7501** of coupling lightguide has alignment openings or apertures **8201** in low light flux density regions **8202**. The alignment openings or apertures **8201** may be used, for example, to register the stack **7501** of coupling lightguides to the light source **102** and they are located in a low light flux density region **8202** such that a tab is not needed and any light loss due to the location of the alignment openings or apertures **8201** within the stack **7501** of coupling lightguides is minimized.

[0732] FIG. 83 is a top view of a region of one embodiment of a light emitting device 8300 comprising the light source 102 disposed to couple light into the stack 7501 of coupling lightguides with a light source overlay tab region 8301 comprising an alignment cavity 8302 for registration of the light input surface 8303 of the stack 7501 of coupling lightguides with the light source 102. In this embodiment, for example, the alignment cavity 7501 within the stack 7501 of coupling lightguides may be placed over the light source 102 such that a light input surface 8303 of the stack 7501 of coupling lightguides is substantially registered and aligned in the x and y directions with the light source 102.

[0733] FIG. 84 is a top view of one embodiment of a lightguide 8400 comprising the film-based lightguide 107 having coupling lightguides 8401 with light turning optical edges 7502. The coupling lightguides 8401 can be folded in the +z direction and translated laterally in the +x direction 8402 (shown folded in FIG. 85) such that the coupling lightguides 8401 stack and align above one another.

[0734] FIG. 85 is a top view of one embodiment of a light emitting device 8500 comprising the lightguide 8400 shown in FIG. 84 with the coupling lightguides 8401 folded and translated to form the stack 7501 of coupling lightguides 8401 such that the stack 7501 extends past a lateral edge 8501 of the lightguide region 106 of the film-based lightguide 107. Light 8502 from the light source 102 has an optical axis in the -y direction that is rotated by the light turning optical edges 7502 of the stack 7501 of coupling lightguides to the -x direction and the fold in the stack 7501 of coupling lightguides 8401 redirects the coupling lightguide orientation to the -y direction such that the light has an optical axis exiting the coupling lightguides in the -y direction. The light 8502 then propagates into the lightguide region 106 of the film-based lightguide 107 and exits the film-based lightguide 107 in the light emitting region 108.

[0735] FIG. 86 is a top view of one embodiment of a lightguide 8600 comprising the film-based lightguide 107 having coupling lightguides 8401 with light turning optical edges 7502 and a non-folded coupling lightguide 8603. The non-folded coupling lightguide 8603 has a width 8601 along the edge of the lightguide region 106 from which the coupling lightguides 8401 extend and a length 8602 in the direction perpendicular to the edge where the coupling lightguides 8401 connect with the lightguide region 106.

[0736] FIG. 87 is a top view of one embodiment of a light emitting device 8700 comprising the lightguide 8600 shown in FIG. 86 with the coupling lightguides 8401 folded and translated to form the stack 7501 of coupling lightguides 8401 that do not extend past the lateral edge 8501 (or a plane comprising the lateral edge 8501) of the lightguide region 106 of the film-based lightguide 107. Light 8502 from the light source 102 has an optical axis in the -y direction that is rotated by the light turning optical edges 7502 of the stack 7501 of coupling lightguides 8401 to the -x direction, and the fold in the stack 7501 of coupling lightguides 8401 redirects the coupling lightguide orientation to the -y direction such that the light has an optical axis exiting the coupling lightguides 8401 in the -y direction. The light 8502 then propagates into the lightguide region 106 and exits the film-based lightguide 107 in the light emitting region 108. Light 8702 from the light source 102 has an optical axis in the -y direction and passes through the non-folded coupling lightguide 8603 and into the lightguide region 106 directly. In this embodiment, the non-folded coupling lightguide 8603 per-

mits the stack 7501 of coupling lightguides 8401 to not extend past the lateral edge 8501 of the lightguide region 106 of the film-based lightguide 107 because the non-folded coupling lightguide 8603 does not need to be folded and translated in the +x direction to receive light from the light source 102.

[0737] FIG. 88 is a top view of one embodiment of a lightguide 8800 comprising the film-based lightguide 107 having coupling lightguides 8801 with light turning optical edges 8803 and light collimating optical edges 8802. The coupling lightguides 8801 can be folded in the +z direction and translated laterally in the +x direction 8402 (shown folded in FIG. 89) such that the coupling lightguides 8801 stack and align above one another.

[0738] FIG. 89 is a top view of one embodiment of a light emitting device 8900 comprising the lightguide 8800 shown in FIG. 88 with the coupling lightguides 8801 folded and translated to form a stack 8902 of coupling lightguides 8801 such that the stack 8902 of coupling lightguides 8801 extends past a lateral edge 8501 of the lightguide region 106 of the film-based lightguide 107. Light 8901 from the light source 102 is collimated by the light collimating optical edges 8802 and has an optical axis in the -y direction that is rotated by the light turning optical edges 8803 of the stack 8902 of coupling lightguides 8801 to the -x direction and the fold in the stack 8902 of coupling lightguides 8801 redirects the coupling lightguide orientation to the -y direction such that the light has an optical axis exiting the coupling lightguides 8801 in the -y direction. The light 8901 then propagates into the lightguide region 106 of the film-based lightguide 107 and exits the film-based lightguide 107 in the light emitting region 108.

[0739] FIG. 90 is a top view of one embodiment of a lightguide 9000 comprising the film-based lightguide 107 with coupling lightguides 9001 with light turning optical edges 8803, light collimating optical edges 8802, and extended regions 7508. The coupling lightguides 9001 can be folded in the +z direction and translated laterally in the +x direction 8402 (shown folded in FIG. 91) such that the coupling lightguides 9001 stack and align above one another.

[0740] FIG. 91 is a top view of one embodiment of the lightguide 9000 shown in FIG. 90 with the coupling lightguides 9001 folded and translated to form a stack 9101 of coupling lightguides 9001 such that the stack 9101 of coupling lightguides 9001 extends past a lateral edge 8501 of the lightguide region 106 of the film-based lightguide 107. The extended regions 7508 of the stack 9101 of the coupling lightguides 9001 extend past the lateral edges 7503 of the coupling lightguides 9001 and the stack 9101 can be cut and/or polished along a cut line 9102 (or adhered to an optical element or light source) without damaging the lateral edge 7503.

[0741] FIG. 92 is a top view of one embodiment of a lightguide 9200 comprising the film-based lightguide 107 with a first set of coupling lightguides 8401 and a second set of coupling lightguides 9203 with light turning optical edges 9230 oriented to turn light in a plurality of directions, and a non-folded coupling lightguide 9201. The coupling lightguides 8401 can be folded in the +z direction and translated laterally in the +x direction 8402 (shown folded in FIG. 93) such that they stack and align above one another. The coupling lightguides 9203 can be folded in the +z direction and translated laterally in the -x direction 9202 (shown folded in FIG. 93) such that they stack and align above one another.

[0742] FIG. 93 is a perspective top view of one embodiment of a light emitting device 9300 comprising the light source 102 disposed to couple light into the lightguide 9200 shown in FIG. 92 with the first set of coupling lightguides 8401 folded and translated in the +x direction and the second set of coupling lightguides 9203 folded and translated in the -x direction. In this embodiment, the first set of coupling lightguides 8401 are folded and translated above the second set of coupling lightguides 9203 which are folded and translated above the non-folded coupling lightguide 9201 disposed to receive light from the light source 102 and transmit light to the lightguide region 106.

[0743] FIG. 94A is a top view of one embodiment of a light emitting device 9400 comprising the light source 102 disposed to couple light into the lightguide 9200 shown in FIG. 92 with the first set of coupling lightguides 8401 folded and translated in the +x direction and the second set of coupling lightguides 9203 folded and translated in the -x direction. In this embodiment, the first set of coupling lightguides 8401 are folded and translated such that the first set of coupling lightguides 8401 are interleaved with the folded and translated second set of coupling lightguides 9203 above the non-folded coupling lightguide 9201. In one embodiment, interleaving the coupling lightguides 8401 and 9203 near the light source 102 improves the uniformity of the light within the lightguide region 106 to facilitate preventing or limiting undesirable variations in light source alignment and/or light output profile.

[0744] FIG. 94B is a cross-sectional side view of a region of one embodiment of a light emitting device 10100 comprising a stack 7501 of coupling lightguides with interior light directing edges 10101 disposed near the input edge of the stack 7501 of coupling lightguides and interior light directing edges 10104 disposed near the lightguide region 106 of the film-based lightguide 107. Light 10102 from the light source 102 enters the stack 7501 of coupling lightguides and is reflected and redirected by the interior light directing edges 10101 disposed near the input edge surface of the stack 7501 of coupling lightguides. Light 10103 from the light source 102 is reflected and redirected by the interior light directing edge 10101 disposed near the input edge of the stack 7501 of coupling lightguides and further reflected and redirected by the interior light directing edge 10104 disposed near the lightguide region 106 of the film-based lightguide 107.

[0745] FIG. 95 is a top view of one embodiment of a lightguide 9500 comprising the film-based lightguide 107 comprising coupling lightguides 8401 having light turning optical edges 7502 with the coupling lightguides extended in shapes inverted along a first direction 9501.

[0746] FIG. 96 is a perspective view of one embodiment of folded lightguides 9600 comprising the lightguide 9500 shown in FIG. 95. The coupling lightguides 8401 are folded 9602 by translating one end (the top end shown in FIG. 95) in the +z direction, +x, and -y, then the -z direction using two relative position maintaining elements 2901 to form a stack 7501 of coupling lightguides 8401. In a further embodiment, the stack 7501 of coupling lightguides 8401 may be cut along cut lines 9601 to form two stacks 7501 of coupling lightguides 8401.

[0747] FIG. 97 is a top view of one embodiment of a lightguide 9700 comprising the film-based lightguide 107 having coupling lightguides 9702 with light turning optical edges 8803, light collimating optical edges 8802, and light source overlay tab regions 8301 comprising alignment cavities 8302

for registration of the light input surface of the stack of coupling lightguides with a light source. The lightguide 9700 also comprises a non-folding coupling lightguide 9703 with a collimating optical edge 8802, and a light source overlay tab region 8301 comprising an alignment cavity 8302 for registration of the light input surface of the non-folded coupling lightguide 9703 with a light source. The coupling lightguides 9702 further comprise curved regions 9701 on the edge of the coupling lightguides 9702 to reduce the likelihood of stress (such as resulting from torsional or lateral bending, for example) focusing at a sharp corner, thus reducing the likelihood of film fracture. The coupling lightguides 9702 can be folded in the +z direction and translated laterally in the +x direction 8402 (shown folded in FIG. 98) such that they stack and align above one another.

[0748] FIG. 98 is a top view of one embodiment of a light emitting device 9800 comprising the light source 102 (shown in FIG. 99) and the lightguide 9700 shown in FIG. 97 with the coupling lightguides 9702 folded and translated to form a stack 9803 of coupling lightguides 9702 aligned along one edge of the lightguide region 106. Light 9802 from the light source 102 is collimated by the light collimating optical edges 8802 and has an optical axis in the -y direction that is rotated by the light turning optical edges 8803 of the stack 9803 of coupling lightguides 9702 to the -x direction and the fold in the stack 9803 of coupling lightguides 9702 redirects the coupling lightguide orientation to the -y direction such that the light has an optical axis exiting the coupling lightguides 9702 in the -y direction. The light 9802 then propagates into the lightguide region 106 of the film-based lightguide 107. Light 8702 from the light source 102 has an optical axis in the -y direction and passes through the non-folded coupling lightguide 9703 and into the film-based lightguide 107 directly.

[0749] FIG. 99 is an enlarged side view near the light source 102 in the y-z plane of the light emitting device 9800 illustrated in FIG. 98. An alignment guide 9903 comprises an alignment arm 9801 that is a cantilever spring with a curved front edge disposed above the light source 102. The alignment arm 9801 applies a force against the stack 9803 of coupling lightguides 9702 to maintain the position of the light input surfaces 103 of the coupling lightguides 9702 near the light output surface 9901 of the light source 102. In this embodiment, the alignment arm 9801 is inserted through the alignment cavities 8302 and the coupling lightguides 9702 can be pulled in the +y direction and downward (-z direction) such that the alignment cavities 8302 are positioned over the opposite end of the alignment guide 9803 and the light source 102 (the free end of the alignment arm 9801 can be lifted slightly during this movement if necessary). In this embodiment, the alignment cavities 8302 register and substantially maintain the position of the light input surfaces 103 of the coupling lightguides 9702 relative to the light output surface 9901 of the light source 102 in the x and y directions and the alignment arm 9801 on the alignment guide 9903 maintains the relative position in the z direction by applying force in the -z direction to position the stack 9803 of coupling lightguides 9702 against each other and the light source base 9902 (which could be a circuit board, for example). Light 9904 from the light source 102 exits the light output surface 9901 of the light source 102 and propagates into the coupling lightguides 9702 through the light input surface 103.

[0750] FIG. 100 is an enlarged side view of a region near the light source 102 in the y-z plane of one embodiment of a light

emitting device **1000** comprising an alignment guide **9903** with an alignment arm **9801** that is a cantilever spring with a curved edge disposed above a light source **102** and light collimating optical element **7102**. The alignment arm **9801** applies a force against a stack of coupling lightguides **9702** to maintain the position of the light input surfaces **103** of the coupling lightguides **9702** near the light output surface **10002** of the light collimating optical element **7102**. In this embodiment, the alignment arm **9801** is inserted through the alignment cavities **8302** and the coupling lightguides **9702** can be pulled in the +y direction. In this embodiment, the alignment cavities are not sufficient in length to cover the alignment guide **9903**, and the coupling lightguides **9702** remain held in place in the z direction by the alignment arm **9801**. In this embodiment, the alignment cavities **8302** register and substantially maintain the position of the light input surfaces **103** of the coupling lightguides **9702** relative to the light output surface **10002** of the light collimating optical element **7102** in the x and +y directions and the alignment arm **9801** on the alignment guide **9903** maintains the relative position in the z direction by applying force in the -z direction to position the stack **9803** of coupling lightguides **9702** against each other and the light source base **9902** (which could be a circuit board, for example). Friction with the stack of coupling lightguides **9702** and the light source base **9902** and the alignment arm **9801** due to the force from the alignment arm **9801** in the -z direction and the friction from the fit of the inner walls of the cavities **8302** and the light collimating optical element **7102** and/or the light source **102** help prevent the coupling lightguides **9702** from translating in the -y direction. In another embodiment, the light input surface **103** of the coupling lightguides **9702** are optically bonded to the light output surface **10002** of the light collimating optical element **7401** (or they are optically bonded to the light output surface of the light source **102** or a light turning optical element). Light **10003** from the light source **102** exits the light output surface **9901** of the light source **102** and propagates into the light collimating optical element **7102** where the light is collimated in the x-y plane and exits the light output surface **10002** of the light collimating optical element **7102** and enters the light input surface **103** of the coupling lightguides **9702** where it propagates to the lightguide region **106** (not shown).

**[0751]** FIG. **101** is a block diagram of one embodiment of a method **10100** of producing a light emitting device comprising: forming an array of coupling lightguides extending continuously from a lightguide region of a film, each coupling lightguide of the array of coupling lightguides having a bounding edge at the end thereof **10101**; folding the array of coupling lightguides such that the bounding edges of the array of coupling lightguides form a stack defining a light input surface **10102**; positioning a light source to direct light into the light input surface such that light from the light source propagates within each coupling lightguide and the lightguide region by total internal reflection **10103**; forming one or more light extraction features on or within the film in a light emitting region of the lightguide region **10104**; and positioning a low contact area cover comprising a plurality of surface relief features adjacent a first region of the film wherein one or more of the plurality of surface relief features contact the film in an area less than 30% of a surface area of the film in the first region. In another embodiment, the first region of the film is defined within the light emitting region **10105**.

#### EXAMPLES

**[0752]** Certain embodiments are illustrated in the following example(s). The following examples are given for the purpose of illustration, but not for limiting the scope or spirit of the invention.

**[0753]** In one embodiment, coupling lightguides are formed by cutting strips at one or more ends of a film which forms coupling lightguides (strips) and a lightguide region (remainder of the film). On the free end of the strips, the strips are bundled together into an arrangement much thicker than the thickness of the film itself. On the other end, they remain physically and optically attached and aligned to the larger film lightguide. The film cutting is achieved by stamping, laser-cutting, mechanical cutting, water-jet cutting, local melting or other film processing methods. Preferably the cut results in an optically smooth surface to promote total internal reflection of the light to improve light guiding through the length of the strips. A light source is coupled to the bundled strips. The strips are arranged so that light propagates through them via total internal reflection and is transferred into the film lightguide portion. The bundled strips form a light input edge having a thickness much greater than the film lightguide region. The light input edge of the bundled strips defines a light input surface to facilitate more efficient transfer of light from the light source into the lightguide, as compared to conventional methods that couple to the edge or top of the film. The strips can be melted or mechanically forced together at the input to improve coupling efficiency. If the bundle is square shaped, the length of one of its sides  $l$ , is given by  $l \sim \sqrt{(w \times t)}$  where  $w$  is the total width of the lightguide input edge and  $t$  is the thickness of the film. For example, a 0.1 mm thick film with 1 m edge would give a square input bundle with dimensions of 1 cm x 1 cm. Considering these dimensions, the bundle is much easier to couple light into compared to coupling along the length of the film when using typical light sources (e.g. incandescent, fluorescent; metal halide, xenon and LED sources). The improvement in coupling efficiency and cost is particularly pronounced at film thicknesses below 0.25 mm, because that thickness is approximately the size of many LED and laser diode chips. Therefore, it would be difficult and/or expensive to manufacture micro-optics to efficiently couple light into the film edge from an LED chip because of the endue and manufacturing tolerance limitations. Also, it should be noted that the folds in the slots are not creases but rather have some radius of curvature to allow effective light transfer. Typically the fold radius of curvature will be at least ten times the thickness of the film.

**[0754]** An example of one embodiment that can be brought to practice is given here. The assembly starts with 0.25 mm thick polycarbonate film that is 40 cm wide and 100 cm long. A cladding layer of a lower refractive index material of approximately 0.01 mm thickness is disposed on the top and bottom surface of the film. The cladding layer can be added by coating or co-extruding a material with lower refractive index onto the film core. One edge of the film is mechanically cut into 40 strips of 1 cm width using a sharp cutting tool such as a razor blade. The edges of the slots are then exposed to a flame to improve the smoothness for optical transfer. The slots are combined into a bundle of approximately 1 cm x 1 cm cross-section. To the end of the bundle a number of different types of light sources can be coupled (e.g. xenon, metal halide, incandescent, LED or Laser). Light propagates through the bundle into the film and out of the image area. Light may be extracted from the film lightguide by laser etching into the film, which adds a surface roughness that results in frustrated total internal reflectance. Multiple layers of film can be combined to make multi-color or dynamic signs.

**[0755]** An example of one embodiment that has been brought to practice is described here. The apparatus began with a 381 micron thick polycarbonate film which was 457 mm wide and 762 mm long. The 457 mm edge of the film is cut into 6.35 mm wide strips using an array of razor blades. These strips are grouped into three 152.4 mm wide sets of strips, which are further split into two equal sets that were folded towards each other and stacked separately into 4.19 mm by 6.35 mm stacks. Each of the three pairs of stacks was then combined together in the center in the method to create a combined and singular input stack of 8.38 mm by 6.35 mm size. An LED module, MCE LED module from Cree Inc., is coupled into each of the three input stacks. Light emitted from the LED enters the film stack with an even input, and a portion of this light remains within each of the 15 mil strips via total internal reflections while propagating through the strip. The light continues to propagate down each strip as they break apart in their separate configurations, before entering the larger lightguide. Furthermore, a finned aluminum heat sink was placed down the length of each of the three coupling apparatuses to dissipate heat from the LED. This assembly shows a compact design that can be aligned in a linear array, to create uniform light.

**[0756]** A light emitting backlight for a transmissive display using a 0.125 millimeter thick polycarbonate film is formed into a lightguide. White ink is inkjet printed on a surface of the film, forming a light emitting region with white ink light extraction features. The film is cut into the desired shape using a drag-knife. Ten coupling lightguides 1 cm wide are cut leaving roughly 5 cm of mixing region between the coupling lightguides and the printed light emitting region. A bar of acrylic is attached near the ends of the coupling lightguides to assist in folding and maintaining the position of the strips after folding. The coupling lightguides are folded and stacked to leave an optical light input area of 1 cm by 1.25 mm in size. A low contact area cover comprising a polyurethane film with surface relief features is wrapped around the coupling lightguides, across a portion of the light mixing region, and across the light emitting region with some of the protruding surface relief features in physical contact with the lightguide. A white LED with a height of approximately 0.5 mm and a width of 2.5 mm is coupled to the input surface of the stack of coupling lightguides. The cover protected the lightguide and added rigidity with less than 30% decoupling of light from the film. The light emitting region of the lightguide is disposed behind a transmissive liquid crystal display with the low contact area cover disposed between the lightguide and the display. A white reflective low contact area cover comprising surface relief features is disposed behind the film (on the opposite side of the film than the display) with some of the surface relief features of the white reflective low contact area cover in physical contact with the film. The film is folded at an approximately 3.8 mm radius in the light mixing region and the strips and LED were folded behind the white reflective low contact area and a rigid support. Light from the LED travels through the coupling lightguides, exits the film in a light emitting region, and illuminates the display from behind in a uniform light emitting region.

**[0757]** A method to manufacture one embodiment of a backlight comprising three film-based lightguides is as follows. Three layers of thin film lightguides (<250 microns) are laminated to each other with a layer of lower refractive index material between them (e.g. methyl-based silicone PSA). Then, an angled beam of light, ions or mechanical substance

(i.e. particles and/or fluid) patterns lines or spots into the film. If necessary, a photosensitive material should be layered on each material beforehand. The angle of the beam is such that the extraction features on the layers have the proper offset. The angle of the beam is dictated by the lightguide thickness and the width of the pixels and is given by  $\theta = \tan^{-1}(t/w)$ , where  $\theta$  is the relative angle of light to the plane of the lightguide,  $t$  is the lightguide and cladding thickness and  $w$  is the width of the pixels. Ideally the extraction features direct the light primarily in a direction toward the intended pixel to minimize cross-talk.

**[0758]** In one embodiment, a light emitting device comprises: a lightguide formed from a film having a thickness not greater than 0.5 millimeters, the lightguide having a lightguide region and an array of coupling lightguides continuous with the lightguide region, wherein each coupling lightguide terminates in a bounding edge and each coupling lightguide is folded such that the bounding edges of the array of coupling lightguides form a stack defining a light input surface; a light source configured to emit light into the light input surface, such that the light propagates within each coupling lightguide to the lightguide region, with light from each coupling lightguide combining with light from one or more other coupling lightguides of the array of coupling lightguides and totally internally reflecting within the lightguide region; one or more light extraction features operatively coupled to the lightguide and configured to frustrate the totally internally reflected light within the lightguide region such that the light exits the lightguide in a light emitting region defined within the lightguide region; and a first low contact area cover comprising a surface having a plurality of first surface relief features adjacent to a first region of the lightguide with one or more of the plurality of surface relief features contacting the lightguide. In another embodiment, a light emitting device comprises a low contact area cover wherein the percentage of a surface area of the lightguide contacting the one or more first surface relief features in the first region is less than 30% or 10% of the surface area in the first region. In another embodiment, the first low contact area cover extracts a total of less than 30% of the light propagating within the lightguide out of the lightguide. In one embodiment, the first low contact area cover comprises one of a film and a sheet comprising the plurality of first surface relief features on the surface. In another embodiment, a combination of the first low contact area cover and the lightguide has a flexural modulus greater than 2 gigapascals when measured according to ASTM D790. In one embodiment, a light emitting device comprises a second low contact area cover comprising a second surface having a plurality of second surface relief features adjacent to a second region of the lightguide wherein one or more of the plurality of second surface relief features contact the lightguide and the second region is disposed on an opposite side of the lightguide than the first region. In one embodiment, the array of coupling lightguides are optically coupled to each other in at least 10% of a region where the coupling lightguides are adjacent each other. In one embodiment, the coupling lightguides are optically coupled to each other by a natural surface adhesion between adjacent coupling lightguides. In one embodiment, the first coupling lightguide of the array of coupling lightguides comprises the first region. In another embodiment, the low contact area cover comprises one of a film and a sheet comprising a surface having a plurality of first surface relief features, and the film or the sheet wraps substantially around at least two sides of the stack of coupling lightguides. In a

further embodiment, the first region of the lightguide is defined within the light emitting region of the lightguide. In one embodiment, the low contact area cover has a diffuse reflectance measured in the d/0 geometry according to ASTM E 1164 greater than 70%. In one embodiment, the lightguide further comprises a light mixing region disposed between folds in the coupling lightguides and the light emitting region, the light from each coupling lightguide combines and totally internally reflects within the light mixing region, and the first region of the lightguide is defined within the light mixing region.

**[0759]** In another embodiment, the low contact area cover is coupled to a rigid support with a flexural modulus greater than 2 gigapascals when measured according to ASTM D790. In another embodiment, the light emitting device comprises a display wherein the light emitting device is a backlight for the display. In one embodiment, a light emitting device comprises: a lightguide comprising a film having a thickness not greater than 0.5 millimeters, the lightguide having a lightguide region and an array of coupling lightguides continuous with the lightguide region, wherein each coupling lightguide terminates in a bounding edge and each coupling lightguide is folded such that the bounding edges of the array of coupling lightguides form a stack defining a light input surface; a light source configured to emit light into the light input surface, such that the light propagates within each coupling lightguide to the lightguide region, with light from each coupling lightguide combining with light from one or more other coupling lightguides of the array of coupling lightguides and totally internally reflecting within the lightguide region; a plurality of light extraction features operatively coupled to the lightguide and configured to frustrate the totally internally reflected light within the lightguide region such that the light exits the lightguide in a light emitting region defined within the lightguide region; and a low contact area cover comprising a surface having a plurality of surface relief features adjacent a first region of the lightguide with one or more of the plurality of surface relief features contacting the lightguide, wherein the low contact area cover is configured to extract out of the lightguide a total of less than 30% of the light propagating within the lightguide.

**[0760]** In an embodiment, the film-based lightguide comprises a core material with a critical surface tension less than 32 mN/m. In another embodiment, the surface of the film in the first region has a critical surface tension greater than 32 mN/m. In another embodiment, a percentage of a surface area of the lightguide contacting the one or more surface relief features in the first region is less than 30% of the surface area in the first region. In one embodiment, a method of producing a light emitting device comprises: forming an array of coupling lightguides extending continuously from a lightguide region of a film, each coupling lightguide of the array of coupling lightguides having a bounding edge at the end thereof; folding the array of coupling lightguides such that the bounding edges of the array of coupling lightguides form a stack defining a light input surface; positioning a light source to direct light into the light input surface such that light from the light source propagates within each coupling lightguide and the lightguide region by total internal reflection; forming one or more light extraction features on or within the film in a light emitting region of the lightguide region; and positioning a low contact area cover comprising a plurality of surface relief features adjacent a first region of the film wherein one or more of the plurality of surface relief features contact the film

in an area less than 30% of a surface area of the film in the first region. In another embodiment, the first region of the film is defined within the light emitting region.

**[0761]** Exemplary embodiments of light emitting devices and methods for making or producing the same are described above in detail. The devices, components, and methods are not limited to the specific embodiments described herein, but rather, the devices, components of the devices and/or steps of the methods may be utilized independently and separately from other devices, components and/or steps described herein. Further, the described devices, components and/or the described methods steps can also be defined in, or used in combination with, other devices and/or methods, and are not limited to practice with only the devices and methods as described herein.

**[0762]** While the disclosure includes various specific embodiments, those skilled in the art will recognize that the embodiments can be practiced with modification within the spirit and scope of the disclosure and the claims.

#### Equivalents

**[0763]** Those skilled in the art will recognize, or be able to ascertain using no more than routine experimentation, numerous equivalents to the specific procedures described herein. Such equivalents are considered to be within the scope of the invention. Various substitutions, alterations, and modifications may be made to the invention without departing from the spirit and scope of the invention. Other aspects, advantages, and modifications are within the scope of the invention. This application is intended to cover any adaptations or variations of the specific embodiments discussed herein. Therefore, it is intended that this disclosure be limited only by the claims and the equivalents thereof.

**[0764]** Unless otherwise indicated, all numbers expressing feature sizes, amounts, and physical properties used in the specification and claims are to be understood as being modified by the term "about". Accordingly, unless indicated to the contrary, the numerical parameters set forth in the foregoing specification and attached claims are approximations that can vary depending upon the desired properties sought to be obtained by those skilled in the art utilizing the teachings disclosed herein. Unless indicated to the contrary, all tests and properties are measured at an ambient temperature of 25 degrees Celsius or the environmental temperature within or near the device when powered on (when indicated) under constant ambient room temperature of 25 degrees Celsius.

What is claimed is:

1. A light emitting device comprising:

- a lightguide formed from a film having a thickness not greater than 0.5 millimeters, the lightguide having a lightguide region and an array of coupling lightguides continuous with the lightguide region, wherein each coupling lightguide terminates in a bounding edge and each coupling lightguide is folded such that the bounding edges of the array of coupling lightguides form a stack defining a light input surface;
- a light source configured to emit light into the light input surface, such that the light propagates within each coupling lightguide to the lightguide region, with light from each coupling lightguide combining with light from one or more other coupling lightguides of the array of coupling lightguides and totally internally reflecting within the lightguide region;

- one or more light extraction features operatively coupled to the lightguide and configured to frustrate the totally internally reflected light within the lightguide region such that the light exits the lightguide in a light emitting region defined within the lightguide region; and a first low contact area cover comprising a surface having a plurality of first surface relief features adjacent to a first region of the lightguide with one or more of the plurality of surface relief features contacting the lightguide.
- 2.** The light emitting device of claim **1** wherein a percentage of a surface area of the lightguide contacting the one or more first surface relief features in the first region is less than 30% of the surface area in the first region.
- 3.** The light emitting device of claim **2** wherein the first low contact area cover extracts a total of less than 30% of the light propagating within the lightguide out of the lightguide.
- 4.** The light emitting device of claim **1** wherein a percentage of a surface area of the lightguide contacting the one or more first surface relief features in the first region is less than 10% of the surface area in the first region.
- 5.** The light emitting device of claim **1** wherein the first low contact area cover comprises one of a film and a sheet comprising the plurality of first surface relief features on the surface.
- 6.** The light emitting device of claim **1** wherein a combination of the first low contact area cover and the lightguide has a flexural modulus greater than 2 gigapascals when measured according to ASTM D790.
- 7.** The light emitting device of claim **1** further comprising a second low contact area cover comprising a second surface having a plurality of second surface relief features adjacent to a second region of the lightguide wherein one or more of the plurality of second surface relief features contact the lightguide and the second region is disposed on an opposite side of the lightguide than the first region.
- 8.** The light emitting device of claim **1** wherein the array of coupling lightguides are optically coupled to each other in at least 10% of a region where the coupling lightguides are adjacent each other.
- 9.** The light emitting device of claim **1** wherein the coupling lightguides are optically coupled to each other by a natural surface adhesion between adjacent coupling lightguides.
- 10.** The light emitting device of claim **1** wherein a first coupling lightguide of the array of coupling lightguides comprises the first region.
- 11.** The light emitting device of claim **1** wherein the low contact area cover comprises one of a film and a sheet comprising a surface having a plurality of first surface relief features, and the film or the sheet wraps substantially around at least two sides of the stack of coupling lightguides.
- 12.** The light emitting device of claim **1** wherein the first region of the lightguide is defined within the light emitting region of the lightguide.
- 13.** The light emitting device of claim **12** wherein the low contact area cover has a diffuse reflectance measured in the d/0 geometry according to ASTM E 1164 greater than 70%.
- 14.** The light emitting device of claim **1** wherein the lightguide further comprises a light mixing region disposed between folds in the coupling lightguides and the light emitting region, the light from each coupling lightguide combines and totally internally reflects within the light mixing region, and the first region of the lightguide is defined within the light mixing region.
- 15.** The light emitting device of claim **1** wherein the low contact area cover is coupled to a rigid support with a flexural modulus greater than 2 gigapascals when measured according to ASTM D790.
- 16.** The light emitting device of claim **1** further comprising a display wherein the light emitting device is a backlight for the display.
- 17.** A light emitting device comprising:
- a lightguide comprising a film having a thickness not greater than 0.5 millimeters, the lightguide having a lightguide region and an array of coupling lightguides continuous with the lightguide region, wherein each coupling lightguide terminates in a bounding edge and each coupling lightguide is folded such that the bounding edges of the array of coupling lightguides form a stack defining a light input surface;
  - a light source configured to emit light into the light input surface, such that the light propagates within each coupling lightguide to the lightguide region, with light from each coupling lightguide combining with light from one or more other coupling lightguides of the array of coupling lightguides and totally internally reflecting within the lightguide region;
  - a plurality of light extraction features operatively coupled to the lightguide and configured to frustrate the totally internally reflected light within the lightguide region such that the light exits the lightguide in a light emitting region defined within the lightguide region; and
  - a low contact area cover comprising a surface having a plurality of surface relief features adjacent a first region of the lightguide with one or more of the plurality of surface relief features contacting the lightguide, wherein the low contact area cover is configured to extract out of the lightguide a total of less than 30% of the light propagating within the lightguide.
- 18.** The light emitting device of claim **17** wherein the film comprises a core material with a critical surface tension less than 32 mN/m.
- 19.** The light emitting device of claim **18** wherein a surface of the film in the first region has a critical surface tension greater than 32 mN/m.
- 20.** The light emitting device of claim **17** wherein a percentage of a surface area of the lightguide contacting the one or more surface relief features in the first region is less than 30% of the surface area in the first region.
- 21.** A method of producing a light emitting device, said method comprising:
- a. forming an array of coupling lightguides extending continuously from a lightguide region of a film, each coupling lightguide of the array of coupling lightguides having a bounding edge at the end thereof;
  - b. folding the array of coupling lightguides such that the bounding edges of the array of coupling lightguides form a stack defining a light input surface;
  - c. positioning a light source to direct light into the light input surface such that light from the light source propagates within each coupling lightguide and the lightguide region by total internal reflection;

- d. forming one or more light extraction features on or within the film in a light emitting region of the lightguide region; and
- e. positioning a low contact area cover comprising a plurality of surface relief features adjacent a first region of the film wherein one or more of the plurality of surface

relief features contact the film in an area less than 30% of a surface area of the film in the first region.

**22.** The method of claim **21** wherein the first region of the film is defined within the light emitting region.

\* \* \* \* \*